

■ XA 单级单吸离心泵 Type XA single stage single suction centrifugal pump



■ 特点 Features

- XA系列系为单级单吸离心泵。该泵主要由泵体、泵盖、叶轮、轴、轴套和悬架等组成。泵轴伸出端由两个滚动轴承支承，轴承用机油或润滑油润滑。填料函用软填料或机械密封。泵通过弹性联轴器由电动机直接驱动。
XA type pumps are single-stage and single-suction centrifugal pumps. This type mainly consists of case, pump cover, impeller, shaft, shaft sleeve and suspended frame, etc. The extending end of shaft is supported by two rolling bearings, the bearing lubricant is mechanical oil or grease. The seal is soft packing or mechanical seal. Pump is driven directly by motor through flexible coupling.

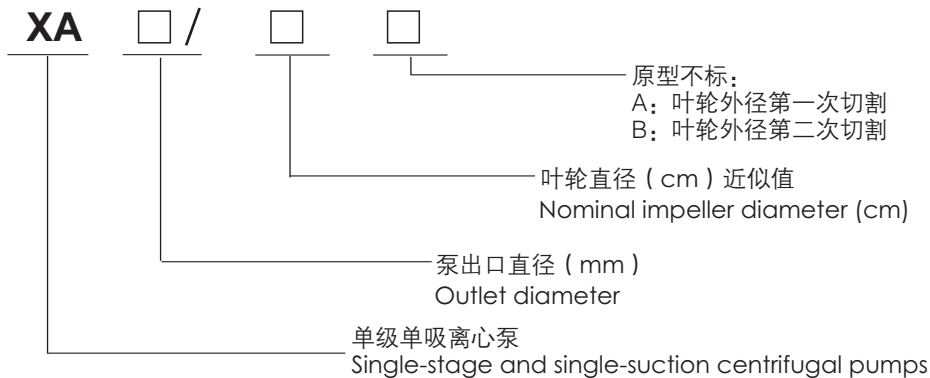
■ 用途 Applications

- XA型泵供吸送清水及物理化学性质类似于水的液体，适用于工厂、矿山、城市给水排水、空调、消防和农田排灌之用。
XA type pumps are used in transporting clear water or liquids whose physical and chemical characteristic are similar to water. They are applicable in factory, mine and city's water supply and drainage, air-conditioning, fire fighting and agricultural irrigation.

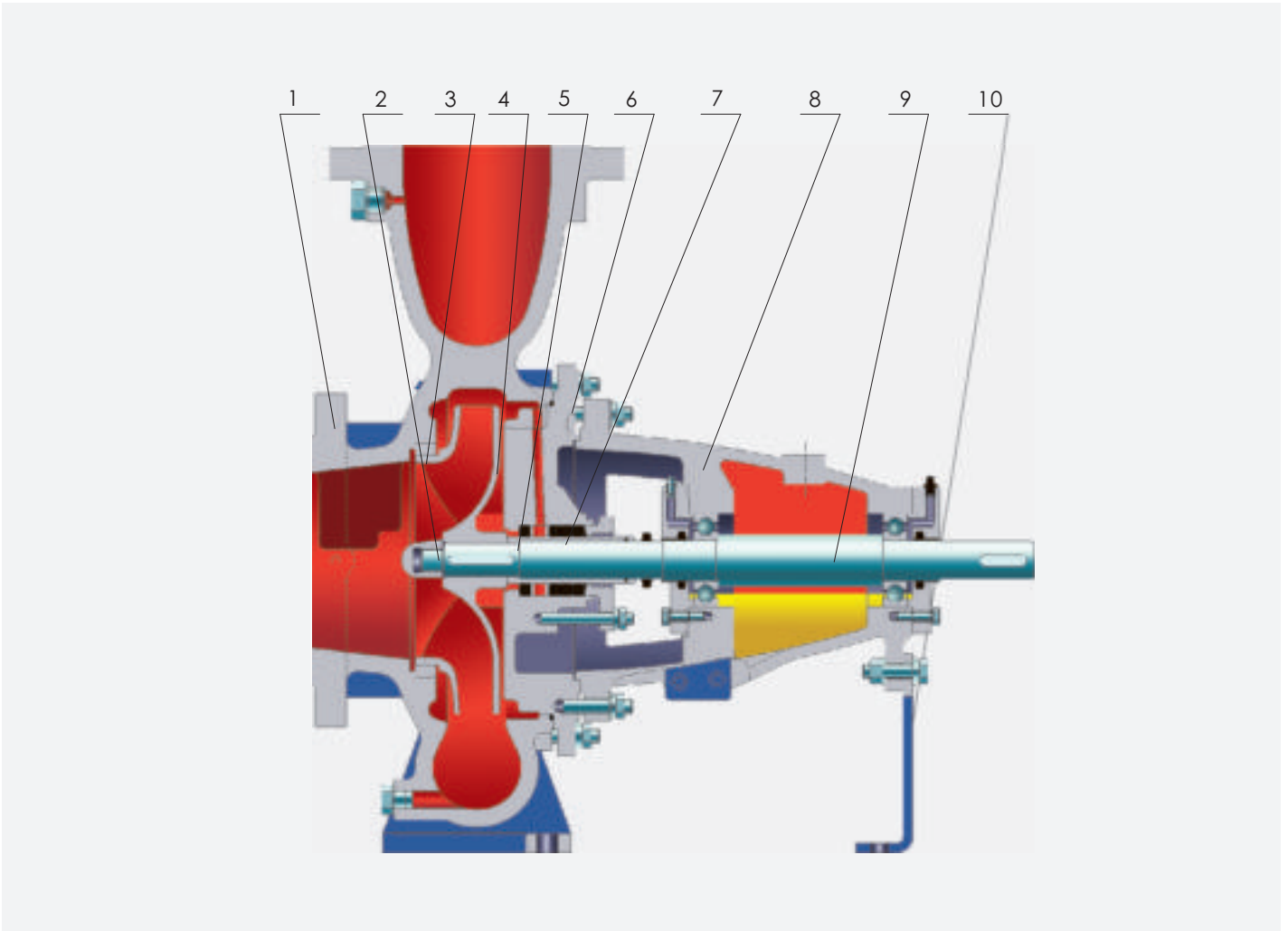
■ 工作条件及标准 Operation conditions and standard

- 性能范围 Scope of performance: 最大流量 max capacity Q'' 730L/s 产品标准 Product standard'' EN733
最高扬程 max head H'' 150m
- 进出口法兰标准及等级 Inlet and outlet flange standard and rating'' EN1092.2(GB/T17241.6-1998)

■ 型号意义 Designation



■ 结构图 Structural drawing



■ XA 材料表 Materials table

序号 No.	1	2	3	4	5
名称 Name	泵壳 Casing	叶轮螺母 Impeller nut	密封环 Wear ring	叶轮 Impeller	轴套 Shaft sleeve
序号 No.	6	7	8	9	10
名称 Name	泵盖 Casing cover	填料或机械密封 Packing or mechanical seal	悬架 Frame	轴 Axis	支脚 Foot support

XA性能参数表 XA performance data sheet

泵型号 Type	流量 Capacity		扬程 (m) Head	转速 r/min Speed	功率 Power kW		配套电机 Motor	效率 % Efficiency	汽蚀余量 NPSHR	泵口径 mm Pump Caliber		泵质量 kg Pump Weight
	m ³ /h	L/s			轴功率	电机功率				吸入 Suction	排出 Discharge	
XA32/13	9	2.5	24.5	2900	1.23	1.5	Y90L-2 2.2kW	49	1.8	50	32	27.5
	15	4.17	22		1.47	2.2		61	2.5			
	18	5	20		1.58	2.2		62	2.5			
XA32/13A	8.5	2.36	21.2	2900	1.04	1.5	Y90L-2 2.2kW	47	1.8	50	32	27.5
	14	3.89	19		1.23	1.5		59	1.95			
	17	4.72	17.2		1.31	2.2		60.5	2.3			
XA32/13B	7.8	2.17	18	2900	0.89	1.1	Y90L-2 2.2	43	1.8	50	32	27.5
	13	3.61	16.2		1.01	1.1		56.5	1.88			
	15.5	4.31	14.7		1.07	1.5		58	2.08			
XA32/16	11	3.05	40	2900	2.49	3	Y132S1-2 5.5kW	48	1.9	50	32	35
	18	5.0	37		3.18	4		57	2.0			
	22	6.11	34		3.51	5.5		58	2.6			
XA32/16A	10.5	2.92	35.7	2900	2.22	3	Y112M-2 4kW	46	1.9	50	32	35
	17	4.72	33		2.78	3		55	1.95			
	21	5.83	30		3.06	4		56	2.4			
XA32/16B	9.8	2.72	31.4	2900	1.93	2.2	Y112M-2 4kW	43.5	1.9	50	32	35
	16	4.44	29		2.38	3		53	1.95			
	19.5	5.42	26.5		2.61	4		54	2.2			
XA32/20	11	3.05	63	2900	4.71	5.5	Y160M1-2 11kW	40	1.8	50	32	41
	18	5.0	59		5.9	7.5		49	2			
	22	6.11	55.5		6.52	11		51	2.3			
XA32/20A	10.5	2.92	57.2	2900	4.24	5.5	Y132S2-2 7.5kW	38.6	1.8	50	32	41
	17	4.72	54		5.26	7.5		49.6	1.95			
	21	5.83	50.2		5.79	7.5		49.5	2.2			
XA32/20B	10	2.78	51.5	2900	3.69	5.5	Y132S2-2 7.5kW	38	1.8	50	32	41
	16.5	4.58	48		4.5	7.5		46.8	1.8			
	20	5.56	45		5.03	7.5		48.8	2.15			
XA32/26	14	3.89	99	2900	11.27	15	Y160L-2 18.5kW	33.5	2.1	50	32	59
	22	6.11	95.0		13.23	15		43	2.2			
	26	7.22	92		14.47	18.5		45	2.6			
XA32/26A	13.5	3.75	91.8	2900	10.75	15	Y160M2-2 15kW	31.4	2.1	50	32	59
	21	5.83	88		12.58	15		40	2.2			
	25	6.94	85		13.6	15		42.5	2.5			
XA32/26B	13	3.61	84.5	2900	9.97	15	Y160M2-2 15kW	30	2.15	50	32	59
	20.5	5.67	81		11.74	15		38.5	2.15			
	24	6.67	78.4		12.63	15		40.6	2.38			
XA40/13	18	5	25.5	2900	2.08	2.2	Y112M-2 4kW	60	1.8	65	40	30
	30	8.33	23.5		2.74	3		70	2			
	36	10	21.5		3.03	4		69.5	2.4			
XA40/13A	16.8	4.67	22	2900	1.8	2.2	Y112M-2 4kW	56	1.8	65	40	30
	28	7.78	20.2		2.3	3		67	2			
	33.6	9.33	18.8		2.56	4		67.2	2.25			
XA40/13B	15.5	4.31	18.5	2900	1.48	2.2	Y100L-2 3kW	53	1.8	65	40	30
	26	7.22	17		1.85	3		65	1.9			
	31	8.61	15.5		2.01	4		65	2.15			
XA40/16	18	5	39.5	2900	3.65	5.5	Y132S2-2 7.5kW	53	2.1	65	40	36
	30	8.33	35		4.47	5.5		64	2.5			
	36	10	31.5		4.9	7.5		63	3.6			
XA40/16A	17	4.72	34.8	2900	3.16	4	Y132S1-2 5.5kW	51	2.1	65	40	36
	28.5	7.92	30.5		3.82	5.5		62	2.5			
	34	9.44	27.6		4.19	5.5		61	3.25			
XA40/16B	16	4.44	30.5	2900	2.77	4	Y112M-2 4kW	48	2.05	65	40	36
	26.5	7.4	27.9		3.29	4		59.5	2.4			
	32	8.89	24		3.55	4		59	2.9			
XA40/20	18	5.0	63	2900	6.3	7.5	Y160M1-2 11kW	49	1.8	65	40	44
	30	8.33	58		8.17	11		58	2.7			
	36	10	53		8.96	11		58	2.7			
XA40/20A	17	4.72	57.4	2900	5.72	7.5	Y160M1-2 11kW	46.4	1.8	65	40	44
	29	8.06	52.4		7.46	11		55.5	1.9			
	34.5	9.58	48		8.05	11		56	2.45			
XA40/20B	16.5	4.58	51.8	2900	5.28	5.5	Y160M1-2 11kW	44	1.8	65	40	44
	27.5	7.64	47.5		6.71	7.5		53	1.95			
	33	9.17	43.3		7.24	11		53.8	2.45			
XA40/26	20	5.56	97	2950	13.22	15	Y180M-2 22kW	40	1.8	65	40	61
	33	9.17	91		16.22	18.5		51	2.0			
	40	11.11	87		17.88	22		53	2.5			
XA40/26A	19.5	5.42	89	2900	12.28	15	Y160L-2 18.5kW	38.5	1.8	65	40	61
	32	8.89	84		15.09	18.5		48.5	1.95			
	38.5	10.7	79.5		16.35	18.5		51	2.35			
XA40/26B	18.5	5.14	82	2900	11.17	15	Y160L-2 18.5kW	37	1.8	65	40	61
	30.5	8.47	78		13.78	15		47	1.9			
	37	10.28	73		15.02	18.5		49	2.2			
XA40/32H	21.6	6	144.2	2950	25.3	30	Y200L2-2 37kW	33.5	3.5	65	40	95.8
	36	10	136		31	37		43	2.5			
	42.5	10.81	117		33.4	37		40.5	4.3			
XA40/32HA	20.7	5.75	134.7	2950	23.7	30	Y200L2-2 37kW	32	3.7	65	40	95.8
	34.5	9.58	124.7		29.3	37		40	2.5			
	40.7	11.3	108.5		30.8	37		39	3.3			
XA40/32HB	19.7	5.47	112	2950	19.7	30	Y200L1-2 30kW	30.5	4	65	40	95.8
	32.8	9.11	103.7		24.1	30		38.5	2.5			
	39	10.83	89.2		25.3	30		37.5	3.1			
XA50/13	36	10	25.5	2900	3.85	5.5	Y132S2-2 7.5kW	65	2.5	65	50	34
	60	16.67	23		4.98	5.5		76	3.2			
	72	20	20.5		5.36	7.5		75	4			
XA50/13A	33.5	9.31	22	2900	3.19	4	Y132S1-2 5.5kW	63	2.5	65	50	34
	56	15.56	19.5		4.02	5.5		74	3.1			
	67.5	18.75	17.2		4.33	5.5		73	3.6			
XA50/13B	31	8.61	18.5	2900	2.56	3	Y132S1-2 5.5kW	61	2.5	65	50	34
	52	14.44	16.3		3.24	4		72	2.9			
	62	17.22	14.8		3.52	5.5		71	3.3			
XA50/16	40	11.11	41.5	2900	7.06	11	Y160M1-2 11kW	64	2.5	65	50	38
	65	18.05	38.0		9.09	11		74	3.5			
	78	21.67	38.0		10.05	11		74	4.2			

■ XA性能参数表 XA performance data sheet

泵型号 Type	流量 Capacity		扬程 (m) Head	转速 r/min Speed	功率 Power kW		配套电机 Motor	效率 % Efficiency	汽蚀余量 NPSHR	泵口径 mm Pump Caliber		泵质量 kg Pump Weight
	m ³ /h	L/s			轴功率	电机功率				吸入 Suction	排出 Discharge	
XA50/16A	38 61.5 74	10.56 17.1 20.6	37 33.8 21.2	2900	6.19 7.9 8.75	7.5 11 11	Y160M1-2 11kW	62 72 72	2.5 3.3 3.9	65	50	38
XA50/16B	35.5 58 69.5	9.86 16.11 19.31	32.5 29.5 27	2900	5.24 6.66 7.36	5.5 11 11	Y160M1-2 11kW	60 70 69.5	2.35 3.7 3.9	65	50	38
XA50/20	36 60 72	10.0 16.67 20	62 56 50	2900	10.48 13.07 14.42	15 15 18.5	Y160L-2 18.5kW	58 70.0 68	2.5 3.2 4	65	50	46
XA50/20A	34.5 57.5 69	9.6 16 19.2	56 50.5 45	2900	9.25 11.3 12.64	11 15 15	Y160M2-2 15kW	57 67 67	2.5 3.1 3.75	65	50	46
XA50/20B	33 54.5 65.5	9.1 15.1 18.2	50.6 45.6 40.5	2900	8.13 10 11	11 15 15	Y160M2-2 15kW	55.5 67.5 66	2.5 3 3.5	65	50	46
XA50/26	40 65 78	11.11 18.05 21.67	100 91 82	2950	20.17 25.97 29.03	30 30 37	Y160L2-2 37kW	54 62 60	2.5 3.5 4.2	65	50	63
XA50/26A	38.5 63 75.5	10.69 17.5 20.97	92.5 84 75.6	2950	18.29 23.63 26.34	22 30 30	Y200L1-2 30kW	53 61 59	2.4 3.3 3.9	65	50	63
XA50/26B	37 60.5 72.5	10.28 16.81 20.14	85.5 77.5 69.8	2950	16.57 21.29 23.76	18.5 30 30	Y200L1-2 30kW	52 60 58	2.3 3.3 3.9	65	50	63
XA50/32H	48 80 96	13.3 22.22 26.67	146.9 136 119.7	2950	39.2 49.4 51.3	45 55 55	Y250M-2 55kW	49 60 61	2.5 3.5 3.5	65	50	101
XA50/32HA	46 76.6 90.4	12.78 21.28 25.11	134.7 124.7 109.7	2950	34.4 44.8 46.1	45 55 55	Y250M-2 55kW	49 58 58.5	2 2.4 3	65	50	101
XA50/32HB	43.7 72.9 86.8	12.14 20.25 24.1	112 103.7 91.3	2950	31 39.7 39.8	37 45 45	Y225M-2 45kW	43 56 57	2 2.3 2.8	65	50	101
XA65/13	60 100 120	16.67 27.78 33.33	25 22 19	2900	6.1 7.68 8.38	7.5 11 11	Y160M1-2 11kW	67 78 74	3 3.5 4.5	80	65	39
XA65/13A	56 93.5 112.5	15.56 26 31.25	21.1 16 12.5	2900	5.03 5.83 6.49	7.5 11 11	Y160M1-2 11kW	64 70 59	3 3.5 4.1	80	65	39
XA65/13B	52 86.5 104	14.44 24 28.9	18 13.7 10.6	2900	4.12 4.88 5.43	5.5 7.5 7.5	Y132S2-2 7.5kW	62.5 66 57	3 3.3 3.75	80	65	39
XA65/16	60 100 120	16.67 27.78 33.33	39 35 32	2900	10.28 12.7 13.94	15 15 18.5	Y160L-2 18.5kW	62 75 75	3.6 3.9 5.2	80	65	43
XA65/16A	57 95 114	15.83 26.4 31.7	34.5 31 28	2900	8.92 11 11.92	11 15 15	Y160M2-2 15kW	60 73 73	3.6 4.1 4.8	80	65	43
XA65/16B	53.5 89 107	14.86 24.72 29.72	30 27 24.5	2900	7.54 9.22 10	11 11 11	Y160M1-2 11kW	58 71 71	3.6 3.95 4.5	80	65	43
XA65/20	66 110 132	18.33 30.55 36.67	63 57 52	2950	17.97 23.07 25.09	22 30 30	Y200L1-2 30kW	63 74 74.5	3 3.9 5.3	80	65	70
XA65/20A	63 105.5 126.5	17.5 29.31 35.14	57 51 47	2950	15.77 20.08 22.03	18.5 30 30	Y200L1-2 30kW	63 75 73.5	3 3.75 4.85	80	65	70
XA65/20B	60 100 120	16.67 27.78 33.33	51.5 46.5 42.5	2950	13.8 17.59 19.16	18.5 22 30	Y200L1-2 30kW	61 72 72.5	3 3.6 4.4	80	65	70
XA65/26	72 120 144	20 33.33 40	97 89 83	2950	29.50 39.84 44.59	37 45 55	Y250M-2 55kW	64.5 73 73	3.3 4.5 5.4	80	65	81
XA65/26A	69.5 116 139	19.31 32.22 38.67	90 82.5 77	2950	26.21 36.19 40.48	37 45 45	Y225M-2 45kW	65 72 72	3.25 4.4 4.95	80	65	81
XA65/26B	67 111.5 133.5	18.61 31 37.1	83 76 71	2950	23.66 32.53 36.61	30 37 45	Y225M-2 45kW	64 71 70.5	3.2 4.25 4.95	80	65	81
XA65/32H	72 120 144	20 33.3 40	146.9 136 119.7	2980	51.4 68.3 73.3	75 90 90	Y280M-2 90kW	56 65 64	2.4 2.5 3	80	65	110
XA65/32HA	68.9 114.9 135.6	19.14 31.92 37.67	134.7 124.7 109.7	2980	48.6 61.9 65.3	55 75 75	Y280S-2 75kW	52 63 62	2.4 2.5 2.8	80	65	110
XA65/32HB	65.6 109.4 130.2	18.22 30.36 36.17	112 103.7 91.3	2980	40.8 50.6 53	45 75 75	Y280S-2 75kW	49 61 61	2.4 2.5 2.8	80	65	110
XA80/16	100 162 195	27.78 45 54.17	39 35 31.5	2950	15.85 19.3 21.18	18.5 22 30	Y200L1-2 30kW	67 80 79	3.3 4 5	100	80	54
XA80/16A	95 153.5 185	26.39 42.64 51.39	34.5 31 28	2950	13.73 16.61 18.32	18.5 18.5 22	Y180M-2 22kW	65 78 77	3.3 3.85 4.6	100	80	54
XA80/16B	89 144.5 174	24.72 40.14 48.33	30.5 27.2 24.5	2900	11.73 14.08 15.48	15 15 18.5	Y160L-2 18.5kW	63 76 75	3.25 3.7 4.3	100	80	54
XA80/20	115 190 225	31.94 52.78 62.5	61 55 50	2950	27.29 35.57 38.78	37 37 45	Y225M-2 45kW	70 80 79	5 5.1 6.2	100	80	70
XA80/20A	110 182 215.5	30.56 50.56 59.86	55.5 50 45.5	2950	24.1 31.37 34.23	30 37 37	Y200L2-2 37kW	69 79 78	4 4.9 5.85	100	80	70

XA性能参数表 XA performance data sheet

泵型号 Type	流量 Capacity		扬程 (m) Head	转速 r/min Speed	功率 Power kW		配套电机 Motor	效率 % Efficiency	汽蚀余量 NPSHR	泵口径 mm Pump Caliber		泵质量 kg Pump Weight	
	m ³ /h	L/s			轴功率	电机功率				吸入 Suction	排出 Discharge		
XA80/20B	105	29.17	50	2950	21.03	30	Y200L2-2 37kW	68	4	100	80	70	
	173	48.06	45		24.08	30		78					4.7
	203	56.94	41		29.72	37		77					5.5
XA80/26	115	31.94	96	2980	45.5	55	Y280S-2 75kW	66	4	100	80	91	
	190	52.78	86		57.8	75		77					5.4
	225	62.5	79		64.5	75		75					6.5
XA80/26A	111	30.83	89	2980	41.39	55	Y280S-2 75kW	65	3.95	100	80	91	
	183.5	50.97	79.8		52.47	75		74					5.2
	217.5	60.42	73		58.43	75		74					6.25
XA80/26B	106.5	29.58	82	2980	37.16	45	Y280S-2 75kW	64	3.9	100	80	91	
	176.5	49.03	73.5		47.11	55		75					5
	209	58.06	67.5		52.63	75		73					6
XA80/32H	120	33.3	142.6	2980	73.9	90	Y315S-2 110kW	63	2.4	100	80	120	
	200	55.56	132		98.4	110		73					2.5
	236	65.56	113.5		101	110		72					3
XA80/32HA	114.9	31.9	130.7	2980	68.1	75	Y315S-2 110kW	60	2.4	100	80	120	
	191.5	53.19	121		88.8	110		71					2.5
	229.8	63.83	106.5		95.2	110		70					2.8
XA80/32HB	109.4	30.39	108.6	2980	55.8	75	Y280M-2 90kW	58	2.4	100	80	120	
	182.4	50.67	100.2		72.4	90		69					2.5
	218.9	60.8	88.5		77.6	90		68					2.8
XA100/20	180	50	59	2980	41.32	55	Y280S-2 75kW	70	4	125	100	85	
	285	79.17	52		50.14	75		80.5					5.3
	340	94.44	44		54.68	75		74.5					6.3
XA100/20A	172.5	47.92	52.5	2950	35.75	45	Y250M-2 55kW	69	3.95	125	100	85	
	273	75.83	46		43.02	55		79.5					4.9
	325.5	90.42	38		45.83	55		73.5					5.95
XA100/20B	164	45.56	47	2950	30.87	37	Y225M-2 45kW	68	3.9	125	100	85	
	260	72.22	40		36.08	45		78.5					4.8
	310	86.11	32.5		37.85	45		72.5					5.6
XA100/26	190	52.78	97	2980	71.7	90	Y315S-2 110kW	70	3.8	125	100	115	
	295	81.94	85		87.54	100		78					3.9
	350	97.22	75		97.93	110		73					6.5
XA100/26A	183.5	50.97	89	2980	64.45	75	Y315S-2 110kW	69	3.75	125	100	115	
	285	79.17	78		78.63	90		77					5
	338	93.89	68.5		87.57	100		72					6.2
XA100/26B	177	49.17	82	2980	58.13	75	Y280M-2 90kW	68	3.7	125	100	115	
	274	76.11	71.5		70.2	90		76					4.8
	325	90.28	63		78.54	90		71					5.9
XA125/20	237.6	66	54.5	2980	59.3	75	Y280M-2 90kW	59.5	7	150	125	106	
	360	100	49		66.3	75		72.5					7.2
	475	132	40		70.9	90		73					7
XA32/13	4.5	1.25	6	1450	0.156	0.55	Y801-4 0.55kW	47	1.8	50	32	27.5	
	7.5	2.08	5.5		0.197	0.55		57					2.0
	9.5	2.5	5		0.211	0.55		58					2.3
XA32/16	6	1.67	9.5	1450	0.353	0.55	Y801-4 0.55kW	44	1.8	50	32	35	
	9	2.5	8.3		0.416	0.55		53					2.4
	11	3.05	8.3		0.46	0.55		54					2.4
XA32/20	6	1.67	15	1450	0.646	0.75	Y90S-4 1.1kW	38	1.8	50	32	41	
	9	2.5	14		0.763	1.1		45					2.2
	11	3.05	13.2		0.84	1.1		47					2.3
XA32/26	7	1.94	24.2	1450	1.53	2.2	Y100L2-4 3kW	30	1.8	50	32	59	
	11	3.05	23		1.81	2.2		38					2
	13	3.61	22		1.95	3		40					2.4
XA40/13	9	2.5	6.3	1450	0.297	0.55	Y801-4 0.55kW	52	1.8	65	40	30	
	15	4.17	5.3		0.365	0.55		65					2.4
	18	5	5.3		0.406	0.55		64					2.4
XA40/16	9	2.5	9.7	1450	0.495	0.55	Y90S-4 1.1kW	48	1.8	65	40	36	
	15	4.17	8.5		0.579	0.75		60					2.2
	18	5	7.6		0.642	1.1		58					2.4
XA40/20	9	2.5	15.2	1450	0.79	1.1	Y90L-4 1.5kW	47	1.8	65	40	44	
	15	4.17	14		1.04	1.5		55					2.0
	18	5	12.8		1.16	1.5		54					2.4
XA40/26	10	2.78	24	1450	1.77	2.2	Y100L2-4 3kW	37	1.8	65	40	61	
	16	4.44	23		2.18	2.2		46					2
	20	5.56	21.8		2.38	3		50					2.4
XA40/32	11	3	38	1450	3.5	5.5	Y132S-4 5.5kW	32	2.1	65	40	95.8	
	18	5	35		4.24	5.5		40.5					3.1
	21.5	6	32		4.83	5.5		39					3.8
XA40/32A	10.5	2.92	34.5	1450	3.24	4	Y132S-4 5.5kW	30.5	2	65	40	95.8	
	17	4.72	32		3.85	5.5		38.5					2.9
	20.5	5.7	29		4.32	5.5		37.5					3.3
XA40/32B	10	2.78	31	1450	2.91	4	Y132S-4 5.5kW	29	2	65	40	95.8	
	16.5	4.58	29		3.52	5.5		37					2.7
	20	5.56	26		3.94	5.5		36					3.6
XA50/13	18	5	6.4	1450	0.514	0.75	Y90S-4 1.1kW	61	2.2	65	50	34	
	30	8.33	5.2		0.658	0.75		72					2.4
	36	10	5.2		0.739	1.1		69					2.8
XA50/16	20	5.55	10.3	1450	0.93	1.1	Y90L-4 1.5kW	60	2.3	65	50	38	
	32	8.89	9.5		1.18	1.5		70					2.4
	38	10.55	8.8		1.3	1.5		70					3
XA50/20	18	5	15.4	1450	1.37	1.5	Y100L1-4 2.2kW	55	2.2	65	50	46	
	30	8.33	13.5		1.7	2.2		65					2.3
	36	10	11.6		1.86	2.2		61					2.9
XA50/26	20	5.55	25	1450	2.62	3	Y132S-4 5.5kW	52	2.3	65	50	63	
	32	8.89	22.5		3.27	4		60					2.4
	38	10.55	19.8		3.63	5.5		56.5					3
XA50/32	24	6.67	36	1480	5	5.5	Y160M-4 11kW	47	2	65	50	101	
	40	11.11	34		6.38	7.5		58					2.5
	48	13.33	32		7.09	11		59					3.2
XA50/32A	23	6.39	32.5	1450	4.52	5.5	Y132M-4 7.5kW	45	2	65	50	101	
	38.5	10.69	30.6		5.73	7.5		56					2.4
	46	12.78	28.7		6.36	7.5		56.5					3

■ XA性能参数表 XA performance data sheet

泵型号 Type	流量 Capacity		扬程 (m) Head	转速 r/min Speed	功率 Power kW		配套电机 Motor	效率 % Efficiency	汽蚀余量 NPSHR	泵口径 mm Pump Caliber		泵质量 kg Pump Weight
	m ³ /h	L/s			轴功率	电机功率				吸入 Suction	排出 Discharge	
XA50/32B	22	6.11	29.4	1450	4.24	5.5	Y132M-4 7.5kW	41.5	2	65	50	101
	36.5	10.14	27.7		5.1	7.5						
	44	12.22	26		5.66	7.5						
XA65/13	30	8.33	6.2	1450	0.79	1.1	Y90L-4 1.5kW	64	2.2	80	65	39
	50	13.89	5.4		0.98	1.5						
	60	16.67	4.7		1.05	1.5						
XA65/16	30	8.33	9.8	1450	1.33	2.2	Y100L1-4 2.2kW	60	2	80	65	43
	50	13.89	8.8		1.62	2.2						
	60	16.67	7.9		1.75	2.2						
XA65/20	35	9.72	15.3	1450	2.31	3	Y112M-4 4kW	63	1.9	80	65	52
	55	15.27	14		2.87	4						
	66	18.33	13.1		3.2	4						
XA65/26	36	10	24.5	1450	4	5.5	Y132M-4 7.5kW	60	2	80	65	81
	60	16.67	22.5		5.25	7.5						
	72	20	20.6		5.77	7.5						
XA65/32	40	11.11	37	1450	7.46	11	Y160L-4 15kW	54	1.9	80	65	110
	65	18.06	34		9.56	11						
	78	21.67	31		10.62	15						
XA65/32A	37	10.28	33.4	1480	6.73	11	Y160M-4 11kW	50	1.9	80	65	110
	62	17.77	30.9		8.54	11						
	74.5	20.69	28		9.47	11						
XA65/32B	34	9.44	30.5	1480	6	7.5	Y160M-4 11kW	47	2	80	65	110
	56.5	15.69	28		7.3	11						
	68	18.89	25.8		8.1	11						
XA80/16	50	13.89	9.9	1450	2.2	3	Y100L2-4 3kW	61	2.1	100	80	54
	80	22.22	9		2.55	3						
	96	26.67	8.3		2.75	3						
XA80/20	58	16.11	15.5	1450	3.77	5.5	Y132M-4 7.5kW	65	2.1	100	80	70
	95	26.39	14		4.64	7.5						
	112	31.11	13		5.15	7.5						
XA80/26	58	16.11	23.5	1480	5.8	7.5	Y160M-4 11kW	64	2.1	100	80	91
	95	26.39	21.5		7.52	11						
	112	31.11	20		8.36	11						
XA80/32	60	16.67	36	1480	9.65	15	Y180M-4 18.5kW	61	1.9	100	80	120
	100	27.78	33		12.66	15						
	120	33.33	30		14	18.5						
XA80/32A	57.5	15.97	32.4	1480	8.75	15	Y160L-4 15kW	58	1.9	100	80	120
	95.5	26.53	29.7		11.2	15						
	114.5	31.81	27		12.38	15						
XA80/32B	54.5	15.14	29.3	1480	7.77	15	Y160L-4 15kW	56	1.9	100	80	120
	91	25.28	26.8		9.91	15						
	109	30.28	24.5		11.02	15						
XA80/40	60	16.67	58	1480	18.96	22	Y200L-4 30kW	50	2.2	100	80	161
	100	27.78	53		24.06	30						
	120	33.33	48		26.58	30						
XA80/40A	58	16.11	53.7	1480	17.67	22	Y200L-4 30kW	48	2.2	100	80	161
	96.5	26.81	48.9		22.16	30						
	116	32.22	44.4		24.6	30						
XA80/40B	56	15.56	49.4	1480	16.38	22	Y200L-4 30kW	46	2.2	100	80	161
	93	25.83	45		20.35	30						
	111.5	30.97	40.9		22.58	30						
XA100/20	90	25	15	1480	5.25	7.5	Y160M-4 11kW	70	2.2	125	100	85
	142	39.44	13		6.36	7.5						
	170	47.22	11.5		6.91	11						
XA100/26	95	26.39	24.5	1480	9.19	11	Y160L-4 15kW	69	2.3	125	100	106
	148	41.11	22		11.37	15						
	175	48.61	20		12.54	15						
XA100/32	81	22.5	37.5	1480	12.73	15	Y180L-4 22kW	65	2	125	100	134
	135	37.5	34		16.7	22						
	162	45	30		18.38	22						
XA100/32A	77.5	21.53	33.5	1480	11.5	15	Y180L-4 22kW	61.5	2	125	100	134
	130	36.1	30.5		15.2	22						
	155	43.06	27		16.64	22						
XA100/32B	73.5	20.42	30.5	1480	10.44	15	Y180M-4 18.5kW	58.5	2	125	100	134
	123	34.17	27.5		13.55	18.5						
	147.5	41	24.5		14.92	18.5						
XA100/40	90	25	57	1480	24.9	30	Y225M-4 45kW	58	1.7	125	100	174
	150	41.67	52		31.24	37						
	180	50	48.5		34.96	45						
XA100/40A	87	24.17	52.5	1480	22.22	30	Y225S-4 37kW	56	1.7	125	100	174
	145	40.28	48.2		28.84	37						
	174	48.33	44.5		31.75	37						
XA100/40B	84	23.33	48.5	1480	20.54	30	Y225S-4 37kW	54	1.7	125	100	174
	132.5	38.75	44.5		26.44	37						
	167.5	46.53	41.2		29.37	37						
XA125/20	115	32	14.2	1480	7.3	11	Y160M-4 11kW	61	2.6	150	125	106
	190	53	12.5		8.55	11						
	230	63.6	11		9.03	11						
XA125/26	144	40	23.5	1480	13.17	18.5	Y180L-4 22kW	70	2.3	150	125	115
	240	66.67	21		16.95	22						
	288	80	18.8		18.9	22						
XA125/32	120	33.3	35.1	1480	17.36	22	Y200L-4 30kW	66	2.1	150	125	163
	200	55.6	32		22.35	30						
	240	66.7	29.5		24.72	30						
XA125/32A	115	31.94	31.5	1480	15.78	18.5	Y200L-4 30kW	62.5	2.15	150	125	163
	191	53.06	29		20.11	30						
	229	63.61	26.5		22.2	30						

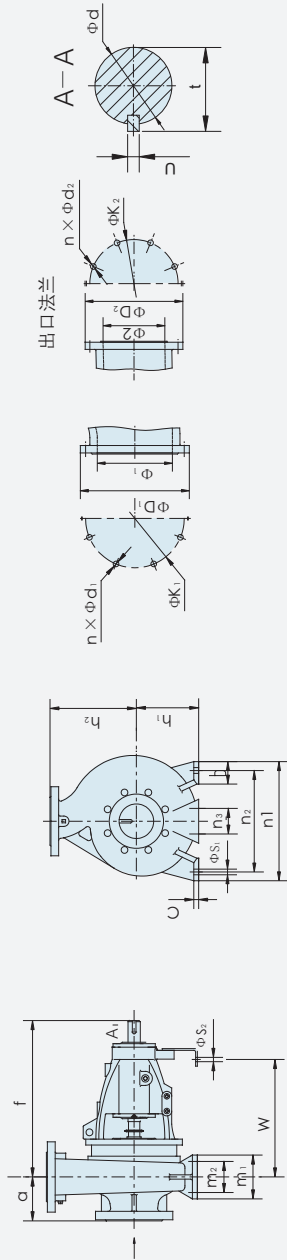
XA性能参数表 XA performance data sheet

泵型号 Type	流量 Capacity		扬程 (m) Head	转速 r/min Speed	功率 Power kW		配套电机 Motor	效率 % Efficiency	汽蚀余量 NPSHR	泵口径 mm Pump Caliber		泵质量 kg Pump Weight
	m ³ /h	L/s			轴功率	电机功率				吸入 Suction	排出 Discharge	
XA125/32B	109	30.28	28.5	1480	14.1	18.5	Y180L-4 22kW	60	2.2	150	125	163
	182	50.56			17.77	22						
XA125/40	144	40	58	1480	34.46	45	Y280S-4 75kW	66	2.2	150	125	181
	245	68.05			45.65	55						
XA125/40A	139	38.61	53.5	1480	31.4	37	Y250M-4 55kW	64.5	2.2	150	125	181
	236.5	65.7			41.78	55						
XA125/40B	133.5	37.08	49.5	1480	28.56	37	Y250M-4 55kW	63	2.2	150	125	181
	227.5	63.2			37.6	45						
XA150/20	216	60	14.4	1480	12.10	15	Y180M-4 18.5kW	70	3.0	200	150	156
	360	100			12.2	18.5						
XA150/26	194	54	23	1480	17.14	22	Y200L-4 30kW	71	2.7	200	150	148
	324	90			22.87	30						
XA150/32	230	63.89	36	1480	30.89	37	Y250M-4 55kW	73	2.8	200	150	170
	370	102.78			40.55	45						
XA150/32A	220	61.11	32.5	1480	27.62	37	Y225M-4 45kW	70.5	2.8	200	150	170
	354	98.33			36.38	45						
XA150-32B	209.5	58.2	29.5	1480	24.4	30	Y225S-4 37kW	60	2.8	200	150	170
	337.5	93.75			31.8	37						
XA150/40	240	66.67	54	1480	51.15	75	Y280M-4 90kW	69	2.8	200	150	209
	385	106.94			66.36	75						
XA150/40A	232	64.44	50	1480	46.8	55	Y280S-4 75kW	67.5	2.8	200	150	209
	372	103.33			60.3	75						
XA150/40B	223	61.94	46	1480	42.32	55	Y280S-4 75kW	66.6	2.8	200	150	209
	357.5	99.3			54.2	75						
XA150/50	270	75	82.1	1480	86.2	110	Y1315M-4 132kW	70	2.5	200	150	514
	450	125			116	132						
XA150/50A	256.4	71.22	71.3	1480	72.1	90	Y315SL-4 110kW	69	2.5	200	150	514
	427.3	118.69			98.4	110						
XA150/50B	242.8	67.44	64.8	1480	63.9	90	Y315S-4 110kW	67	2.5	200	150	514
	404.6	112.38			87	110						
XA200/32	330	91.66	34.6	1480	43.8	55	Y1280S-4 75kW	71	3	250	200	348
	550	152.78			58.5	75						
XA200/32A	303.6	84.33	30.2	1480	35.2	45	Y250M-4 55kW	71	3	250	200	348
	506	140.55			48.2	55						
XA200/32B	279.6	77.67	25.4	1480	28	37	Y220M-4 45kW	69	3	250	200	348
	466	129.44			38.2	45						
XA200/40	330	91.67	54	1480	69.3	90	Y315S-4 110kW	70	3.5	250	200	450
	550	152.78			91.3	110						
XA200/40A	303.6	84.33	48.1	1480	56	75	Y280M-4 90kW	71	3.5	250	200	450
	506	140.56			78.6	90						
XA200/40B	279.6	77.67	42.7	1480	48.5	55	Y280S-4 75kW	67	3.5	250	200	450
	466	129.44			65.5	75						
XA200/50	330	91.67	86.4	1480	113	132	Y315L2-4 200kW	69	2.8	250	200	550
	550	152.78			154	200						
XA200/50A	303.6	84.33	76.1	1480	91.2	110	Y315L1-4 160kW	69	2.8	250	200	550
	506	140.56			129	160						
XA200/50B	279.6	77.67	67	1480	76.1	90	Y315M-4 132kW	67	2.8	250	200	550
	466	129.44			105	132						
XA250/32	432	120	34.6	1480	55.7	75	Y280M-4 90kW	73	4.4	300	200	510
	720	200			74.9	90						
XA250/32A	397.2	110.33	30.2	1480	46	55	Y280S-4 75kW	71	4.3	300	250	510
	662	183.89			61.5	75						
XA250/32B	357.6	99.33	25.4	1480	35.3	45	Y280S-4 75kW	70	4.3	300	250	510
	596	165.56			48.3	75						
XA250/40	432	120	54	1480	88.2	110	Y315M-4 132kW	72	3.8	300	250	600
	720	200			118	132						
XA250/40A	397.2	110.33	48.1	1480	72.2	90	Y315S-4 110kW	72	3.6	300	250	600
	662	183.33			99	110						

■ XA性能参数表 XA performance data sheet

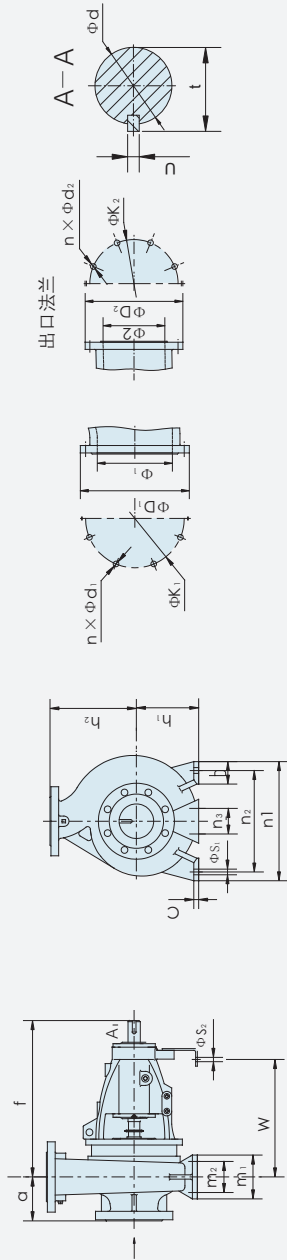
泵型号 Type	流量 Capacity		扬程 (m) Head	转速 r/min Speed	功率 Power kW		配套电机 Motor	效率 % Efficiency	汽蚀余量 NPSHR	泵口径 mm Pump Caliber		泵质量 kg Pump Weight	
	m ³ /h	L/s			轴功率	电机功率				吸入 Suction	排出 Discharge		
XA250/40B	357.6	99.33	42.7	1480	58.5	75	Y280M-4 90kW	71	3.6	300	250	600	
	596	165.56	39.5		81.1	90		79					3.8
	715.2	198.67	34		84.9	90		78					4
XA250/50	432	120	86.4	1480	147	160	Y355M-4 220kW	69	3	300	250	680	
	720	200	80		196	220		80					4.3
	864	240	68.8		208	220		78					5
XA250/50A	397.2	110.33	76.1	1480	127	160	Y315L2-4 200kW	65	3	300	250	680	
	662	183.89	70.5		163	200		78					4.2
	794.4	220.67	60.6		175	200		75					4.4
XA250/50B	357.6	99.33	67	1480	100	110	Y315L1-4 160kW	65	3	300	250	680	
	596	165.56	62		132	160		76					4
	715.2	198.67	53.3		140	160		74					4.3
XA300/40	480	133.33	24.8	985	44.4	55	Y315S-6 75kW	73	4.8	350	300	725	
	800	222.22	23		61.1	75		82					5.4
	960	266.67	19.8		64.3	75		80.5					5.5
XA300/40A	442.8	123	21.6	980	36.2	45	Y280M-6 55kW	72	4.8	350	300	725	
	738	205	20		49	55		82					5.3
	885.6	246	17.2		51.8	55		80					5.5
XA300/40B	403.2	112	19.4	980	30	37	Y280S-6 45kW	71	4.6	350	300	725	
	672	186.67	18		40.2	45		82					5
	806.4	224	15.5		42	45		81					5.4
XA300/40H	720	200	54	1480	141	160	Y355M-4 220kW	75	5.5	350	300	725	
	1200	333.33	50		194	220		84					5.8
	1440	400	44		210	220		82					6
XA300/40HA	655.2	182	48.1	1480	119	132	Y315L2-4 200kW	72	5.1	350	300	725	
	1092	303.33	44.5		163	200		81					5.7
	1310.4	364.0	40.1		181	200		79					5.9
XA300/40HB	596.4	165.67	42.7	1480	96.3	110	Y315L1-4 160kW	72	4.9	350	300	725	
	994	276.11	39.5		134	160		80					5.6
	1192.8	331.33	34		141	160		78.5					5.8
XA350/40	600	166.67	24.8	985	56.3	75	Y315M-6 90kW	72	.5	400	350	756	
	1000	277.78	23		77.3	90		81					4
	1200	333.33	19.8		80.9	90		80					4.1
XA350/40A	577.8	160.5	21.6	985	47.2	55	Y315S-6 75kW	72	3.5	400	350	756	
	963	267.5	20		65.5	75		80					3.8
	1155.6	321	17.2		68.5	75		79					4.1
XA350/40B	547.4	152.06	19.4	985	41.3	55	Y315S-6 75kW	70	3.5	400	350	756	
	912.4	253.44	18		58.1	75		77					4
	1094.9	304.13	15.5		61.2	75		75.5					4
XA350/40H	900	250	54	1480	179	200	Y355L-4 280kW	74	4	400	350	756	
	1500	416.67	50		243	280		84					5
	1800	500	43		257	280		82					5.8
XA350/40HA	855	237.5	48.1	1480	158	185	Y355M-4 250kW	71	4	400	350	756	
	1425	395.83	44.5		213	250		81					5
	1710	475	38.3		229	250		78					5.7
XA350/40HB	810	225	42.7	1480	135	160	Y315L2-4 200kW	70	4	400	350	756	
	1350	375	39.5		179	200		81					4.8
	1620	450	34		187	200		80					5.5
XA400/50	804	223.33	24.8	735	74.4	90	Y315L2-8 110kW	73	3.7	450	400	810	
	1340	372.22	23		98.7	110		85					4.8
	1608	446.67	19.8		103	110		84					5.8
XA400/50A	724	201.11	21.6	735	59.1	75	Y315L1-8 90kW	72	3.6	450	400	810	
	1206.7	335.19	20		78.2	90		84					4.4
	1448	402.22	17.2		81.7	90		83					5
XA400/50B	683.8	189.94	19.4	735	52.3	75	Y315L1-8 90kW	69	3.7	450	400	810	
	1139.7	316.58	18		71.6	75		78					4.4
	1367.6	379.89	15.5		75.9	90		76					4.8
XA400/50H	1080	300	54	985	215	250	Y400-6 315kW	74	4.4	450	400	810	
	1800	500	50		288	315		85					6
	2160	600	43		303	315		83.5					6.3
XA400/50HA	972	270	48.1	985	174	200	Y400-6 280kW	73	4.4	450	400	810	
	1620	450	44.5		239	280		82					5.8
	1944	540	38.3		253	280		80					6.1
XA400/50HB	918	255	42.7	990	152	185	Y355L-6 250kW	70	4.3	450	400	810	
	1530	425	39.5		206	220		80					5.7
	1836	510	34		221	250		77					6
XA500/50	978	271.67	24.8	740	86.9	110	Y355M1-8 132kW	76	3.2	550	500	925	
	1630	452.78	23		120	132		85					3.4
	1956	543.33	19.8		125	132		84.5					3.5
XA500/50A	904.8	251.33	21.6	735	71.9	90	Y315L2-8 110W	74	3.2	550	500	925	
	1508	418.89	20		96.6	110		85					3.4
	1809.6	502.5	17.2		101	110		84					3.8
XA500/50B	826	229.44	19.4	735	60.6	75	Y315L1-8 90kW	72	3.2	550	500	925	
	1376.6	382.39	18		79.8	90		84.5					3.3
	1651.9	458.86	15.5		83	90		84					3.4
XA500/50H	1320	366.67	54	985	266	280	Y400-6 400kW	73	3.5	550	500	925	
	2200	611.11	50		365	400		82					4.4
	2640	733.33	43		382	400		81					5.5
XA500/50HA	1214.4	337.33	48.1	985	218	250	Y400-6 355kW	73	3.4	550	500	925	
	2024	562.22	44.5		299	355		82					4
	2428.8	674.67	38.3		315	355		80.5					5
XA500/50HB	1108.8	308	42.7	985	179	200	Y400-6 280kW	72	3.3	550	500	925	
	1848	513.33	39.5		248	280		80					3.7
	2217.6	616	34		263	280		78					4.4

XA外形尺寸图表 Outline Dimension Sheet



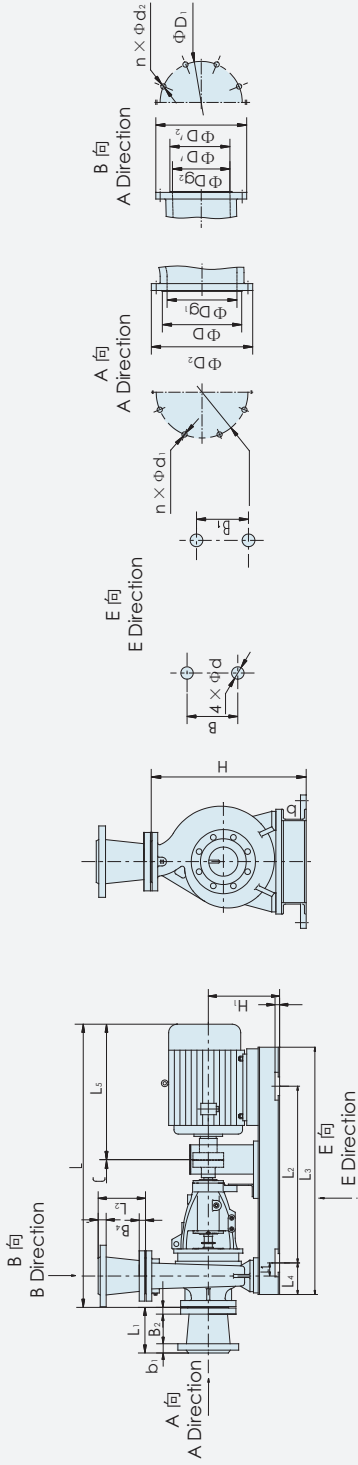
泵型号 Type	泵尺寸 Pump Dimension										泵脚尺寸 Pump Foot Dimension										轴端 Shaft End					法兰连接尺寸					Dimension of flange	
	φ ₁	φ ₂	a	f	h ₁	h ₂	b	c	m ₁	m ₂	n ₁	n ₂	φS ₁	n ₃	φS ₂	w	φd	l	t	u	φD ₁	φD ₂	φk ₁	φk ₂	n × φd ₁	n × φd ₂						
XA32/13	φ50	φ32	80	360	112	140	50	14	100	70	190	140	φ14	100	φ14	267	φ24	50	27	8	φ165	φ140	φ125	φ100	4 × φ18	4 × φ18						
XA32/16	φ50	φ32	80	360	132	160	50	14	100	70	240	190	φ14	100	φ14	267	φ24	50	27	8	φ165	φ140	φ125	φ100	4 × φ18	4 × φ18						
XA32/20	φ50	φ32	80	360	160	180	50	14	100	70	240	190	φ14	110	φ14	267	φ24	50	27	8	φ165	φ140	φ125	φ100	4 × φ18	4 × φ18						
XA32/26	φ50	φ32	100	360	180	225	65	14	125	95	320	250	φ14	110	φ14	267	φ24	50	27	8	φ165	φ140	φ125	φ100	4 × φ18	4 × φ18						
XA40/13	φ65	φ40	80	360	112	140	50	14	100	70	210	160	φ14	100	φ14	267	φ24	50	27	8	φ185	φ150	φ145	φ110	4 × φ18	4 × φ18						
XA40/16	φ65	φ40	80	360	132	160	50	14	100	70	240	190	φ14	100	φ14	267	φ24	50	27	8	φ185	φ150	φ145	φ110	4 × φ18	4 × φ18						
XA40/20	φ65	φ40	100	360	160	180	50	14	100	70	265	212	φ14	110	φ14	267	φ24	50	27	8	φ185	φ150	φ145	φ110	4 × φ18	4 × φ18						
XA40/26	φ65	φ40	100	360	180	225	65	14	125	95	320	250	φ14	110	φ14	267	φ24	50	27	8	φ185	φ150	φ145	φ110	4 × φ18	4 × φ18						
XA40/32	φ65	φ40	125	470	200	250	65	14	125	95	345	280	φ14	110	φ14	342	φ32	80	35	10	φ185	φ150	φ145	φ110	4 × φ18	4 × φ18						
XA50/13	φ65	φ50	100	360	132	160	50	14	100	70	240	190	φ14	100	φ14	267	φ24	50	27	8	φ185	φ165	φ145	φ125	4 × φ18	4 × φ18						
XA50/16	φ65	φ50	100	360	160	180	50	14	100	70	265	212	φ14	110	φ14	267	φ24	50	27	8	φ185	φ165	φ145	φ125	4 × φ18	4 × φ18						
XA50/20	φ65	φ50	100	360	160	200	50	14	100	70	265	212	φ14	110	φ14	267	φ24	50	27	8	φ185	φ165	φ145	φ125	4 × φ18	4 × φ18						
XA50/26	φ65	φ50	100	360	180	225	65	14	125	95	320	250	φ14	110	φ14	267	φ24	50	27	8	φ185	φ165	φ145	φ125	4 × φ18	4 × φ18						
XA50/32	φ65	φ50	125	470	225	280	65	16	125	95	345	280	φ14	110	φ14	342	φ32	80	35	10	φ185	φ165	φ145	φ125	4 × φ18	4 × φ18						
XA65/13	φ80	φ65	100	360	160	180	65	14	125	95	280	212	φ14	110	φ14	267	φ24	50	27	8	φ200	φ185	φ160	φ145	8 × φ18	4 × φ18						
XA65/16	φ80	φ65	100	360	160	200	65	14	125	95	280	212	φ14	110	φ14	267	φ24	50	27	8	φ200	φ185	φ160	φ145	8 × φ18	4 × φ18						
XA65/20	φ80	φ65	100	360	180	225	65	14	125	95	320	250	φ14	110	φ14	267	φ24	50	27	8	φ200	φ185	φ160	φ145	8 × φ18	4 × φ18						
XA65/26	φ80	φ65	100	470	200	250	80	16	160	120	360	280	φ17.5	110	φ14	342	φ32	80	35	10	φ200	φ185	φ160	φ145	8 × φ18	4 × φ18						
XA65/32	φ80	φ65	125	470	225	280	80	16	160	120	400	315	φ17.5	110	φ14	342	φ32	80	35	10	φ200	φ185	φ160	φ145	8 × φ18	4 × φ18						
XA80/16	φ100	φ80	125	360	180	225	65	14	125	95	320	250	φ14	110	φ14	267	φ24	50	27	8	φ220	φ200	φ180	φ160	8 × φ18	8 × φ18						
XA80/20	φ100	φ80	125	470	180	250	65	14	125	95	345	280	φ14	110	φ14	342	φ32	80	35	10	φ220	φ200	φ180	φ160	8 × φ18	8 × φ18						
XA80/26	φ100	φ80	125	470	200	280	80	16	160	120	400	315	φ17.5	110	φ14	342	φ32	80	35	10	φ220	φ200	φ180	φ160	8 × φ18	8 × φ18						
XA80/32	φ100	φ80	125	470	250	310	80	16	160	120	400	315	φ17.5	110	φ14	342	φ32	80	35	10	φ220	φ200	φ180	φ160	8 × φ18	8 × φ18						
XA80/40	φ100	φ80	125	520	280	355	85	16	160	120	440	340	φ17.5	110	φ14	349	φ42	110	45	12	φ220	φ200	φ180	φ160	8 × φ18	8 × φ18						

XA外形尺寸图表 Outline Dimension Sheet



泵型号 Type	泵尺寸 Pump Dimension										泵脚尺寸 Pump Foot Dimension										轴端 Shaft End					法兰连接尺寸					Dimension of flange	
	φ ₁	φ ₂	a	f	h ₁	h ₂	b	c	m ₁	m ₂	n ₁	n ₂	φS ₁	n ₃	φS ₂	w	φd	l	t	u	φD ₁	φD ₂	φk ₁	φk ₂	n × φd ₁	n × φd ₂						
XA100/20	φ125	φ100	125	470	200	280	80	16	160	120	360	280	φ17.5	110	φ14	342	φ32	80	35	10	φ250	φ220	φ210	φ180	8 × φ18	8 × φ18						
XA100/26	φ125	φ100	140	470	225	280	80	16	160	120	400	315	φ17.5	110	φ14	342	φ32	80	35	10	φ250	φ220	φ210	φ180	8 × φ18	8 × φ18						
XA100/32	φ125	φ100	140	470	250	315	80	16	160	120	400	315	φ17.5	110	φ14	342	φ32	80	35	10	φ250	φ220	φ210	φ180	8 × φ18	8 × φ18						
XA100/40	φ125	φ100	140	530	280	355	100	18	200	150	500	400	φ23	110	φ17	370	φ45	110	45	42	φ250	φ220	φ210	φ180	8 × φ18	8 × φ18						
XA125/20	φ150	φ125	145	470	250	315	80	16	160	120	400	315	φ17.5	110	φ14	342	φ32	80	35	10	φ285	φ250	φ240	φ210	8 × φ22	8 × φ18						
XA125/26	φ150	φ125	140	470	250	355	80	16	160	120	400	315	φ17.5	110	φ14	342	φ32	80	35	10	φ285	φ250	φ240	φ210	8 × φ22	8 × φ18						
XA125/32	φ150	φ125	140	530	280	355	100	18	200	150	500	400	φ23	110	φ14	370	φ42	110	45	12	φ285	φ250	φ240	φ210	8 × φ22	8 × φ18						
XA125/40	φ150	φ125	140	530	315	400	100	18	200	150	500	400	φ23	110	φ14	370	φ42	110	45	12	φ285	φ250	φ240	φ210	8 × φ22	8 × φ18						
XA150/20	φ200	φ150	160	495	280	400	100	20	200	150	550	450	φ23	110	φ14	367	φ32	80	35	10	φ340	φ285	φ295	φ240	12 × φ22	8 × φ22						
XA150/26	φ200	φ150	160	530	250	355	100	18	200	150	450	350	φ23	110	φ14	370	φ42	110	45	12	φ340	φ285	φ295	φ240	12 × φ22	8 × φ22						
XA150/32	φ200	φ150	160	530	280	400	100	18	200	150	550	450	φ23	110	φ14	370	φ42	110	45	12	φ340	φ285	φ295	φ240	12 × φ22	8 × φ22						
XA150/40	φ200	φ150	160	530	315	450	100	18	200	150	550	450	φ23	110	φ14	370	φ42	110	45	12	φ340	φ285	φ295	φ240	12 × φ22	8 × φ22						
XA150/50	φ200	φ150	180	686	375	500	100	24	200	150	550	450	φ24	140	φ15	500	φ55	110	59	16	φ340	φ285	φ295	φ240	12 × φ22	8 × φ22						
XA200/26	φ250	φ200	180	546	280	400	100	25	200	150	550	450	φ26	110	φ15	389	φ42	110	45	12	φ405	φ340	φ355	φ295	12 × φ27	12 × φ22						
XA200/32	φ250	φ200	200	670	355	450	100	20	200	150	550	450	φ24	110	φ15	500	φ48	110	52	14	φ405	φ340	φ355	φ295	12 × φ27	12 × φ22						
XA200/40	φ250	φ200	200	670	355	500	100	20	200	150	550	450	φ24	110	φ15	500	φ48	110	52	14	φ405	φ340	φ355	φ295	12 × φ27	12 × φ22						
XA200/50	φ250	φ200	240	783	425	545	160	30	300	240	720	600	φ27	140	φ23	534	φ70	140	75	20	φ405	φ340	φ355	φ295	12 × φ27	12 × φ22						
XA250/32	φ300	φ250	240	783	425	545	160	40	300	240	720	600	φ27	140	φ23	583	φ60	100	64.5	20	φ460	φ405	φ410	φ355	12 × φ27	12 × φ27						
XA250/40	φ300	φ250	240	800	425	545	160	40	300	240	720	600	φ27	140	φ23	585	φ60	100	64.5	20	φ460	φ405	φ410	φ355	12 × φ27	12 × φ27						
XA250/50	φ300	φ250	240	783	425	545	160	30	300	240	720	600	φ27	140	φ23	600	φ60	100	64.5	20	φ460	φ405	φ410	φ355	12 × φ27	12 × φ27						
XA300/40	φ350	φ300	280	811	500	600	150	40	300	200	800	660	φ27	140	φ23	607	φ60	100	64.5	20	φ520	φ460	φ470	φ410	16 × φ27	12 × φ27						
XA350/40	φ400	φ350	300	900	500	650	200	50	350	280	800	660	φ33	160	φ27	590	φ95	170	100	25	φ580	φ520	φ525	φ470	16 × φ30	16 × φ27						
XA400/50	φ450	φ400	350	983	580	700	200	50	350	280	800	660	φ33	160	φ27	690	φ95	215	100	25	φ640	φ580	φ585	φ525	20 × φ30	16 × φ30						
XA500/50	φ550	φ500	400	900	580	750	200	50	350	280	800	660	φ33	160	φ27	590	φ95	170	100	25	φ775	φ715	φ710	φ650	20 × φ33	20 × φ33						

XA型泵外形及安装尺寸图表 XA Type Pump Outline & Installation Dimension Sheet



泵型号 Type	泵安装尺寸 (mm) Pump Installation Dimension															吸入锥管 (mm) Suction Cone-pipe					吐出锥管 (mm) Discharge Cone-pipe					电动机 Motor		总质量 Total Weight						
	L	L1	L2	L3	L4	L5	B	B1	H	H1	b	b1	b2	b3	b4	c	φd	li	Dg1	D	D1	D2	n-d1	li	Dg2	D'	D1	D2	n-d2	型号 Type	功率 Power (KW)	(电机) Motor	(底座) Base	
XA32/13	791	57	450	730	140	344	225	225	330	190	7.5	/	/	20	18	2	φ18.5	/	/	/	/	/	/	/	100	50	100	125	165	4-φ17.5	Y90L-2	2.2	79	79
XA32/13A	791	57	450	730	140	344	225	225	330	190	7.5	/	/	20	18	2	φ18.5	/	/	/	/	/	/	/	100	50	100	125	165	4-φ17.5	Y90L-2	2.2	79	79
XA32/13B	766	57	450	730	140	319	225	225	330	190	7.5	/	/	20	18	2	φ18.5	/	/	/	/	/	/	/	100	50	100	125	165	4-φ17.5	Y90S-2	1.5	76	76
XA32/16	931	77	500	840	160	484	285	285	370	210	7.5	/	/	20	18	2	φ18.5	/	/	/	/	/	/	/	100	50	100	125	165	4-φ17.5	Y132S1-2	5.5	131	131
XA32/16A	856	67	450	760	150	409	255	255	370	210	7.5	/	/	20	18	2	φ18.5	/	/	/	/	/	/	/	100	50	100	125	165	4-φ17.5	Y112M-2	4	108	108
XA32/16B	856	67	450	760	150	409	225	255	370	210	7.5	/	/	20	18	2	φ18.5	/	/	/	/	/	/	/	100	50	100	125	165	4-φ17.5	Y112M-2	4	108	108
XA32/20	1056	88	580	1000	190	609	325	325	435	255	8	/	/	20	18	2	φ18.5	/	/	/	/	/	/	/	100	50	100	125	165	4-φ17.5	Y160M1-2	11	206	206
XA32/20A	931	61	500	840	160	484	285	285	418	238	7.5	/	/	20	18	2	φ18.5	/	/	/	/	/	/	/	100	50	100	125	165	4-φ17.5	Y132S2-2	7.5	145	145
XA32/20B	931	61	500	840	160	484	285	285	418	238	7.5	/	/	20	18	2	φ18.5	/	/	/	/	/	/	/	100	50	100	125	165	4-φ17.5	Y132S2-2	7.5	145	145
XA32/26	1125	114	580	970	190	658	325	325	500	275	8	/	/	20	18	2	φ18.5	/	/	/	/	/	/	/	100	50	100	125	165	4-φ17.5	Y160L-2	18.5	251	251
XA32/26A	1080	114	580	970	190	613	325	325	500	275	8	/	/	20	18	2	φ18.5	/	/	/	/	/	/	/	100	50	100	125	165	4-φ17.5	Y160M2-2	15	237	237
XA32/26B	1080	114	580	970	190	613	325	325	500	275	8	/	/	20	18	2	φ18.5	/	/	/	/	/	/	/	100	50	100	125	165	4-φ17.5	Y160M2-2	15	237	237
XA40/13	856	83	450	730	140	409	255	255	330	190	7.5	/	/	22	18	2	φ18.5	/	/	/	/	/	/	/	120	65	125	145	185	4-φ17.5	Y112M-2	4	101	101
XA40/13A	856	83	450	730	140	409	255	255	330	190	7.5	/	/	22	18	2	φ18.5	/	/	/	/	/	/	/	120	65	125	145	185	4-φ17.5	Y112M-2	4	101	101
XA40/13B	836	67	450	760	150	389	225	225	330	190	7.5	/	/	22	18	2	φ18.5	/	/	/	/	/	/	/	120	65	125	145	185	4-φ17.5	Y100L-2	3	90	90
XA40/16	931	77	500	840	160	484	285	285	370	210	7.5	/	/	22	18	2	φ18.5	/	/	/	/	/	/	/	120	65	125	145	185	4-φ17.5	Y132S2-2	7.5	137	137
XA40/16A	931	77	500	840	160	484	285	285	370	210	7.5	/	/	22	18	2	φ18.5	/	/	/	/	/	/	/	120	65	125	145	185	4-φ17.5	Y132S1-2	5.5	132	132
XA40/16B	856	67	450	760	150	409	255	255	370	210	7.5	/	/	22	18	2	φ18.5	/	/	/	/	/	/	/	120	65	125	145	185	4-φ17.5	Y112M-2	4	100	100
XA40/20	1077	88	580	1000	190	610	325	325	435	255	8	/	/	22	18	2	φ18.5	/	/	/	/	/	/	/	120	65	125	145	185	4-φ17.5	Y160M1-2	11	210	210
XA40/20A	1077	88	580	1000	190	610	325	325	435	255	8	/	/	22	18	2	φ18.5	/	/	/	/	/	/	/	120	65	125	145	185	4-φ17.5	Y160M1-2	11	210	210

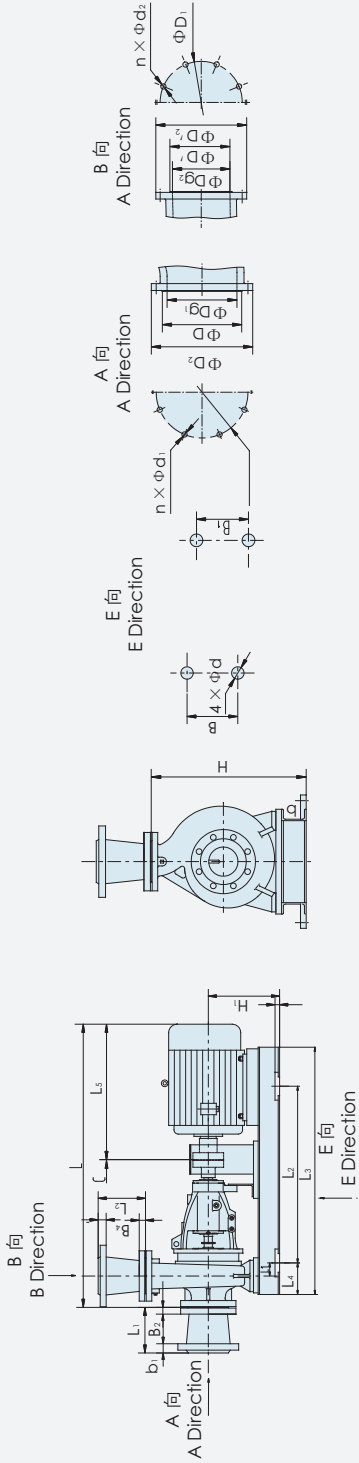
注：吸入锥管，吐出锥管只作附件，价格另计。Note: The suction cone-pipe, discharge cone-pipe are only as the attachments, their price will be counted separately.

XA型泵安装尺寸图表

XA Type Pump Installation Dimension Sheet



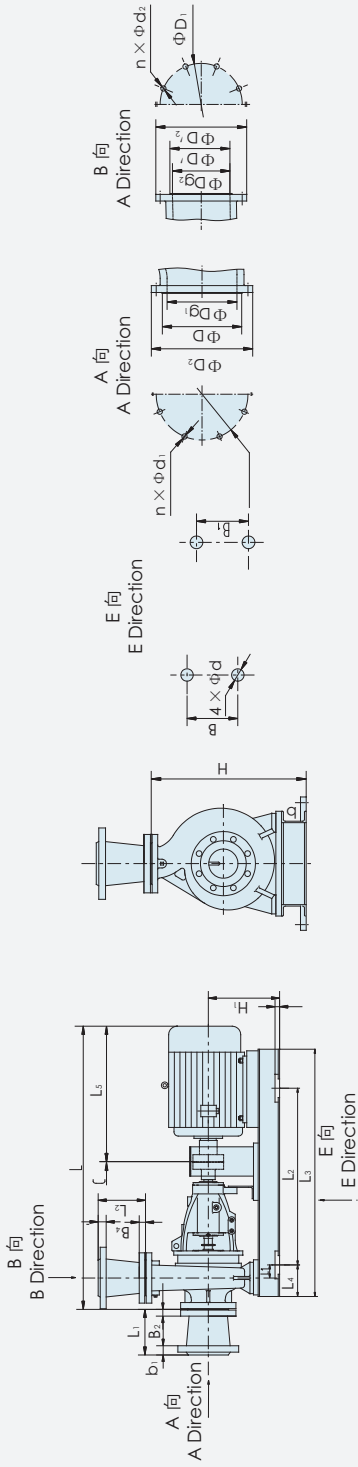
XA型泵外形及安装尺寸图表 XA Type Pump Outline & Installation Dimension Sheet



泵型号 Type	泵安装尺寸 (mm) Pump Installation Dimension										吸入锥管 (mm) Suction Cone-pipe					吐出锥管 (mm) Discharge Cone-pipe					电动机 Motor		总质量 Total Weight											
	L	L1	L2	L3	L4	L5	B	B1	H	H1	b	b1	b2	b3	b4	c	φd	li	Dg1	D	D1	D2	n-d1	li	Dg2	D'	D1'	D2'	n-d2	型号 Type	功率 Power (KW)	(电机) Motor (kg)	(底座) Base (kg)	
XA40/20B	1077	88	580	1000	190	610	325	325	435	255	8	/	/	22	18	2	φ18.5	/	/	/	/	/	8-φ18.5	120	65	125	145	185	4-φ17.5	Y160M1-2	11	210	210	
XA40/26	1050	121	580	970	190	683	350	350	500	275	8	/	/	22	18	2	φ18.5	/	/	/	/	/	8-φ18.5	120	65	125	145	185	4-φ17.5	Y180M-2	22	286	286	
XA40/26A	1125	114	580	970	190	658	325	325	500	275	8	/	/	22	18	2	φ18.5	/	/	/	/	/	8-φ17.5	120	65	125	145	185	4-φ17.5	Y160L-2	18.5	253	253	
XA40/26B	1125	114	580	970	190	658	325	325	500	275	8	/	/	22	18	2	φ18.5	/	/	/	/	/	8-φ17.5	120	65	125	145	185	4-φ17.5	Y160L-2	18.5	253	253	
XA40/32H	1390	122.5	765	1195	215	790	395	395	523	298	8	/	/	20	18	2	φ18.5	/	/	/	/	/	/	/	120	65	122	145	185	4-φ17.5	Y200L-3/2	37	440	440
XA40/32HA	1390	122.5	765	1195	215	790	395	395	523	298	8	/	/	20	18	2	φ18.5	/	/	/	/	/	/	/	120	65	122	145	185	4-φ17.5	Y200L-3/2	37	440	440
XA40/32HB	1390	122.5	765	1195	215	790	395	395	523	298	8	/	/	20	18	2	φ18.5	/	/	/	/	/	/	/	120	65	122	145	185	4-φ17.5	Y200L-3/2	30	415	415
XA50/13	951	77	500	840	160	484	285	285	370	210	7.5	22	20	22	20	2	φ18.5	120	80	133	160	200	/	150	80	133	160	200	8-φ17.5	Y132S-2	7.5	135	135	
XA50/13A	951	77	500	840	160	484	285	285	370	210	7.5	22	20	22	20	2	φ18.5	120	80	133	160	200	/	150	80	133	160	200	8-φ17.5	Y132S-2	5.5	130	130	
XA50/13B	951	77	500	840	160	484	285	285	370	210	7.5	22	20	22	20	2	φ18.5	120	80	133	160	200	/	150	80	133	160	200	8-φ17.5	Y132S-2	5.5	130	130	
XA50/16	1077	88	580	1000	190	610	325	325	435	255	8	22	20	22	20	2	φ18.5	120	80	133	160	200	/	150	80	133	160	200	8-φ17.5	Y160M1-2	11	204	204	
XA50/16A	1077	88	580	1000	190	610	325	325	435	255	8	22	20	22	20	2	φ18.5	120	80	133	160	200	8-φ17.5	150	80	133	160	200	8-φ17.5	Y160M1-2	11	204	204	
XA50/16B	1077	88	580	1000	190	610	325	325	435	255	8	22	20	22	20	2	φ18.5	120	80	133	160	200	8-φ17.5	150	80	133	160	200	8-φ17.5	Y160M1-2	11	204	204	
XA50/20	1122	88	580	1000	190	655	325	325	455	255	8	22	20	22	20	2	φ18.5	120	80	133	160	200	8-φ17.5	150	80	133	160	200	8-φ17.5	Y160L-2	18.5	236	236	
XA50/20A	1077	88	580	1000	190	610	325	325	455	255	8	22	20	22	20	2	φ18.5	120	80	133	160	200	8-φ17.5	150	80	133	160	200	8-φ17.5	Y160M2-2	15	222	222	
XA50/20B	1077	88	580	1000	190	610	325	325	455	255	8	22	20	22	20	2	φ18.5	120	80	133	160	200	8-φ17.5	150	80	133	160	200	8-φ17.5	Y160M2-2	15	222	222	
XA50/26	1257	137	630	1060	210	790	395	395	543	318	8.5	22	20	22	20	2	φ24	120	80	133	160	200	8-φ17.5	150	80	133	160	200	8-φ17.5	Y200L-2	37	386	386	
XA50/26A	1257	137	630	1060	210	790	395	395	543	318	8.5	22	20	22	20	2	φ24	120	80	133	160	200	8-φ17.5	150	80	133	160	200	8-φ17.5	Y200L-2	30	370	370	
XA50/26B	1257	137	630	1060	210	790	395	395	543	318	8.5	22	20	22	20	2	φ24	120	80	133	160	200	8-φ17.5	150	80	133	160	200	8-φ17.5	Y200L-2	30	370	370	
XA50/32H	1545	142.5	1325	1795	235	945	495	495	623	343	8.5	22	20	20	20	2	φ24	120	80	133	160	200	8-φ17.5	120	65	122	145	185	4-φ17.5	Y250M-5/2	55	610	610	
XA50/32HA	1545	142.5	1325	1795	235	945	495	495	623	343	8.5	22	20	20	20	2	φ24	120	80	133	160	200	8-φ17.5	120	65	122	145	185	4-φ17.5	Y250M-5/2	55	610	610	
XA50/32HB	1430	122.5	745	1215	215	830	430	430	623	343	8.5	22	20	20	20	2	φ24	120	80	133	160	200	8-φ17.5	120	65	122	145	185	4-φ17.5	Y255M-4/2	45	520	520	

注：吸入锥管，吐出锥管只作附件，价格另计。Note: The suction cone-pipe, discharge cone-pipe are only as the attachments, their price will be counted separately.

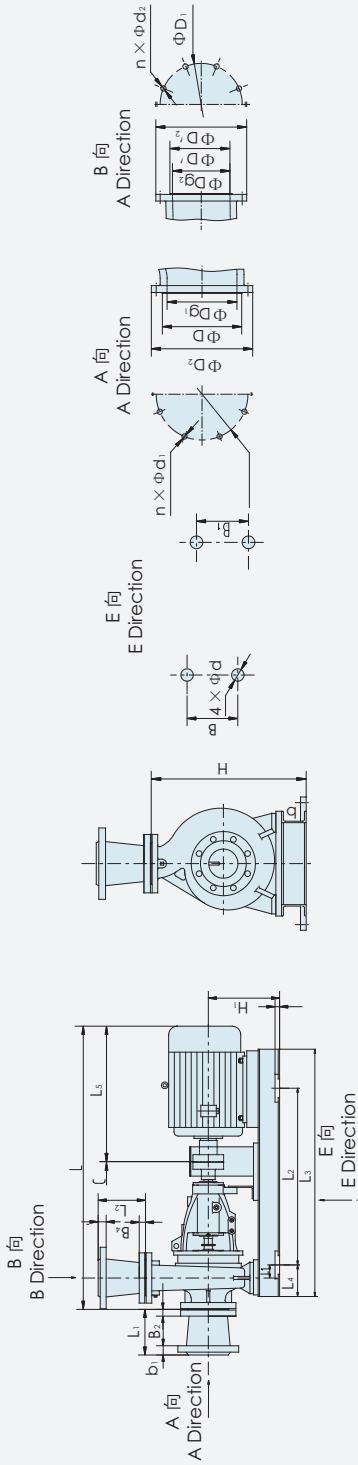
XA型泵外形及安装尺寸图表 XA Type Pump Outline & Installation Dimension Sheet



泵型号 Type	泵安装尺寸 (mm) Pump Installation Dimension															吸入锥管 (mm) Suction Cone-pipe					吐出锥管 (mm) Discharge Cone-pipe					电动机 Motor		总质量 (kg) (电机+底座) Total Weight (Motor+Base)					
	L	L1	L2	L3	L4	L5	B	B1	H	H1	b	b1	b2	b3	b4	c	φd	li	Dg1	D	D1	D2	n-d1	li	Dg2	D'	D1		D2	n-d2	型号 Type	功率 Power (KW)	
XA65/13	1077	88	580	1000	190	610	325	325	435	255	8	22	22	22	22	22	2	φ18.5	150	100	158	180	220	8-φ17.5	150	100	158	180	220	8-φ17.5	11	Y160M1-2	205
XA65/13A	1077	88	580	1000	190	610	325	325	435	255	8	22	22	22	22	22	2	φ18.5	150	100	158	180	220	8-φ17.5	150	100	158	180	220	8-φ17.5	11	Y160M1-2	205
XA65/13B	952	61	500	840	160	485	325	285	418	238	7.5	22	22	22	22	22	2	φ18.5	150	100	158	180	220	8-φ17.5	150	100	158	180	220	8-φ17.5	7.5	Y132S2-2	144
XA65/16	1122	88	580	1000	190	655	395	325	455	255	8	22	22	22	22	22	2	φ18.5	150	100	158	180	220	8-φ17.5	150	100	158	180	220	8-φ17.5	18.5	Y160L-2	233
XA65/16A	1077	88	580	1000	190	610	395	325	455	255	8	22	22	22	22	22	2	φ18.5	150	100	158	180	220	8-φ17.5	150	100	158	180	220	8-φ17.5	15	Y160M2-2	219
XA65/16B	1077	88	580	1000	190	610	395	325	455	255	8	22	22	22	22	22	2	φ18.5	150	100	158	180	220	8-φ17.5	150	100	158	180	220	8-φ17.5	11	Y160M1-2	219
XA65/20	1255	137	630	1060	210	788	495	395	543	318	8.5	26	22	22	22	22	2	φ24	200	125	184	210	250	8-φ17.5	150	100	158	180	220	8-φ17.5	30	Y200L-2	373
XA65/20A	1255	137	630	1060	210	788	430	395	543	318	8.5	26	22	22	22	22	2	φ24	200	125	184	210	250	8-φ17.5	150	100	158	180	220	8-φ17.5	30	Y200L-2	373
XA65/20B	1255	137	630	1060	210	788	430	395	543	318	8.5	26	22	22	22	22	2	φ24	200	125	184	210	250	8-φ17.5	150	100	158	180	220	8-φ17.5	30	Y200L-2	373
XA65/26	1522	162	800	1300	250	945	395	495	651	401	9	26	22	22	22	22	2	φ24	200	125	184	210	250	8-φ17.5	150	100	158	180	220	8-φ17.5	55	Y250M-2	584
XA65/26A	1407	140	750	1210	230	830	225	430	593	343	8.5	26	22	22	22	22	2	φ24	200	125	184	210	250	8-φ17.5	150	100	158	180	220	8-φ17.5	45	Y225M-2	479
XA65/26B	1407	140	750	1210	230	830	255	430	593	343	8.5	26	22	22	22	22	2	φ24	200	125	184	210	250	8-φ17.5	150	100	158	180	220	8-φ17.5	45	Y225M-2	479
XA65/32H	1665	155	870	1400	265	1065	550	555	623	343	8.5	26	24	22	22	22	2	φ24	200	125	184	210	250	8-φ17.5	120	80	133	160	200	8-φ17.5	90	Y280M-90/2	840
XA65/32HA	1615	135	870	1360	245	1015	555	555	623	343	8.5	26	22	22	22	22	2	φ24	200	125	184	210	250	8-φ17.5	120	80	133	160	200	8-φ17.5	75	Y280S-75/2	765
XA65/32HB	1615	135	870	1360	245	1015	555	555	623	343	8.5	26	22	22	22	22	2	φ24	200	125	184	210	250	8-φ17.5	120	80	133	160	200	8-φ17.5	75	Y280S-75/2	765
XA80/16	1280	137	630	1060	210	788	285	395	543	318	8.5	28	22	26	22	22	2	φ24	220	150	212	240	285	8-φ17.5	150	100	184	210	250	8-φ17.5	30	Y200L-2	357
XA80/16A	1175	121	580	970	190	683	350	350	500	275	8	28	24	26	22	22	2	φ18.5	220	150	212	240	285	8-φ17.5	200	125	184	210	250	8-φ17.5	22	Y180M-2	279
XA80/16B	1150	114	580	970	190	658	325	325	500	275	8	28	24	26	22	22	2	φ18.5	220	150	212	240	285	8-φ17.5	200	125	184	210	250	8-φ17.5	18.5	Y160L-2	246

注：吸入锥管，吐出锥管只作附件，价格另计。Note: The suction cone-pipe, discharge cone-pipe are only as the attachments, their price will be counted separately.

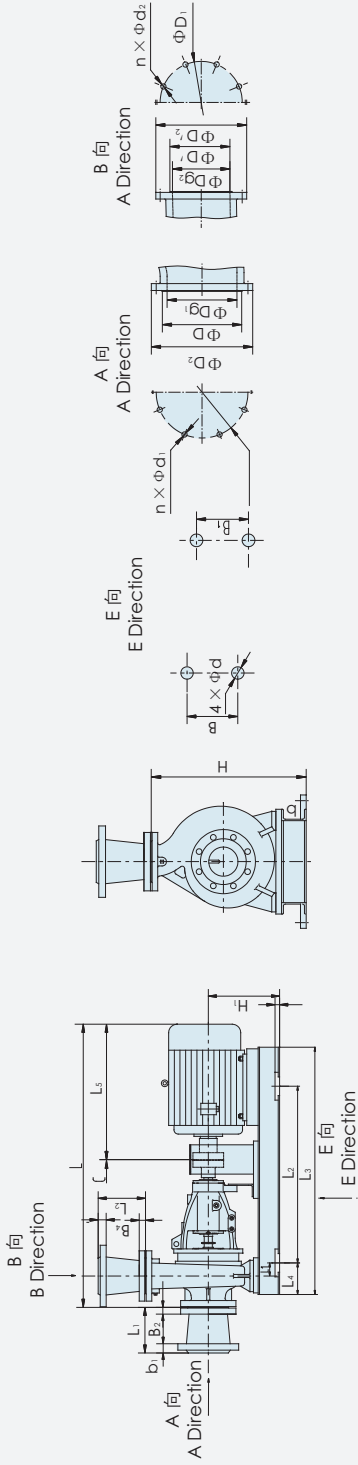
XA型泵外形及安装尺寸图表 XA Type Pump Outline & Installation Dimension Sheet



泵型号 Type	泵安装尺寸 (mm) Pump Installation Dimension															吸入锥管 (mm) Suction Cone-pipe					吐出锥管 (mm) Discharge Cone-pipe					电动机 Motor		总质量 Total Weight (kg)				
	L	L1	L2	L3	L4	L5	B	B1	H	H1	b	b1	b2	b3	b4	c	φd	li	Dg1	D	D1	D2	n-d1	li	Dg2	D'	D1	D2	n-d2	型号 Type	功率 Power (KW)	(电机) Motor (底座) Base
XA80/20	1432	158	750	1185	230	830	430	343	343	8.5	28	24	26	22	2	φ24	220	150	212	240	285	8-φ22	200	125	184	210	250	8-φ17.5	Y225M-2	45	462	
XA80/20A	1392	144	700	1185	230	790	395	395	568	318	8.5	28	24	22	2	φ24	220	150	212	240	285	8-φ22	200	125	184	210	250	8-φ17.5	Y200L-2	37	397	
XA80/20B	1392	144	700	1185	230	790	395	395	568	318	8.5	28	24	22	2	φ24	220	150	212	240	285	8-φ22	200	125	184	210	250	8-φ17.5	Y200L-2	37	397	
XA80/26	1617	160	850	1390	260	1015	555	555	725	445	9.5	28	24	26	22	2	φ28	220	150	212	240	285	8-φ22	200	125	184	210	250	8-φ17.5	Y280S-2	75	758
XA80/26A	1617	160	850	1390	260	1015	555	555	725	445	9.5	28	24	26	22	2	φ28	220	150	212	240	285	8-φ22	200	125	184	210	250	8-φ17.5	Y280S-2	75	758
XA80/26B	1617	160	850	1390	260	1015	555	555	725	445	9.5	28	24	26	22	2	φ28	220	150	212	240	285	8-φ22	200	125	184	210	250	8-φ17.5	Y280S-2	75	758
XA80/32H	1808	155	895	1425	265	1208	620	683	368	8.5	26	24	24	22	2	φ4-24	150	125	184	210	250	17.5	150	100	198	180	220	8-φ17.5	Y315S-110/2	110	1225	
XA80/32HA	1808	155	895	1425	265	1208	620	683	368	8.5	26	24	24	22	2	φ4-24	150	125	184	210	250	17.5	150	100	198	180	220	8-φ17.5	Y315S-110/2	110	1225	
XA80/32HB	1808	155	870	1400	265	1065	550	683	368	8.5	26	24	24	22	2	φ4-24	150	125	184	210	250	17.5	150	100	198	180	220	8-φ17.5	Y280M-90/2	90	865	
XA100/20	1617	160	850	1390	260	1015	555	555	725	445	9.5	30	26	28	24	2	φ28	330	200	268	295	340	22	220	150	212	240	285	8-φ22	Y280S-2	75	752
XA100/20A	1547	162	800	1300	250	945	495	495	681	401	9	30	26	28	24	2	φ24	330	200	268	295	340	22	220	150	212	240	285	8-φ22	Y250M-2	55	588
XA100/20B	1432	140	750	1210	230	830	430	430	623	343	8.5	30	26	28	24	2	φ24	330	200	268	295	340	22	220	150	212	240	285	8-φ22	Y225M-2	45	483
XA100/26	1831	190	870	1465	300	1208	410	620	765	485	9.5	30	26	26	24	3	φ28	330	200	268	295	340	22	220	150	212	240	285	8-φ22	Y315S-2	110	1146
XA100/26A	1831	190	870	1465	300	1208	410	620	765	485	9.5	30	26	26	24	3	φ28	330	200	268	295	340	22	220	150	212	240	285	8-φ22	Y315S-2	110	1146
XA100/26B	1691	172	880	1485	300	1068	410	550	725	445	9.5	30	26	26	24	3	φ28	330	200	268	295	340	22	220	150	212	240	285	8-φ22	Y280M-2	90	857
XA125/20	1682	184	880	1485	300	1065	410	550	760	445	9.5	28	26	28	28	2	φ28	400	250	320	350	395	22	350	200	268	295	340	8-φ22	Y280M-2	90	865
XA32/13	741	37	430	675	120	294	325	225	330	190	7.5	1	1	1	1	2	φ18.5	1	1	1	1	1	1	1	1	1	1	1	1	1	0.55	70
XA32/16	741	37	430	675	120	294	325	255	370	210	7.5	1	1	1	1	2	φ18.5	1	1	1	1	1	1	1	1	1	1	1	1	1	0.55	78
XA32/20	766	51	450	760	150	319	285	285	418	238	7.5	1	1	1	1	2	φ18.5	1	1	1	1	1	1	1	1	1	1	1	1	1	1.1	94

注：吸入锥管，吐出锥管只作附件，价格另计。Note: The suction cone-pipe, discharge cone-pipe are only as the attachments, their price will be counted separately.

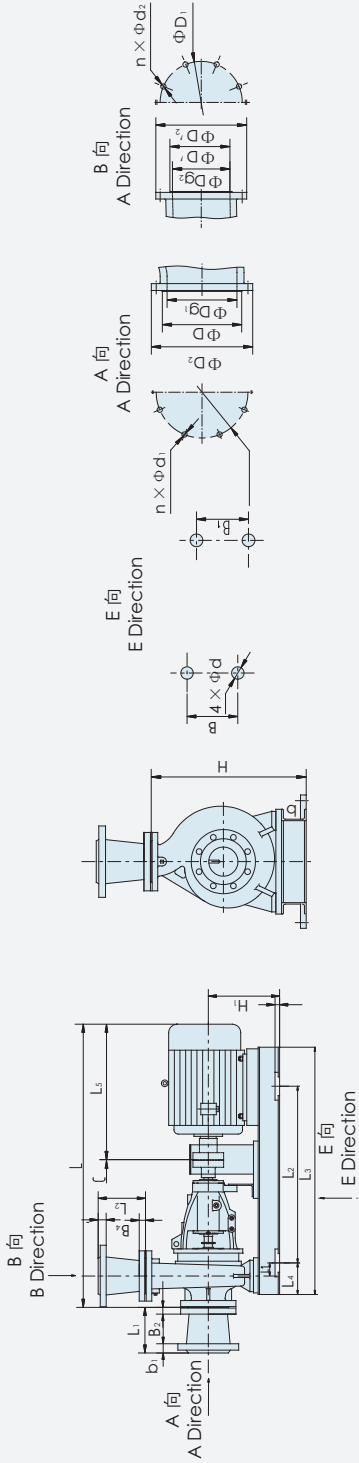
XA型泵外形及安装尺寸图表 XA Type Pump Outline & Installation Dimension Sheet



泵型号 Type	泵安装尺寸 (mm) Pump Installation Dimension										吸入锥管 (mm) Suction Bore-pipe					吐出锥管 (mm) Discharge Bore-pipe					电动机 Motor		总质量 (kg) (电机/底座) Total Weight (Motor/Case)											
	L	L1	L2	L3	L4	L5	B	B1	H	H1	b	b1	b2	b3	b4	c	φd	li	Dg1	D	D1	D2		n-d1	li	Dg2	D'	D1	D2	n-d2	型号 Type	功率 Power (KW)		
XA32/26	856	73	450	760	150	389	315	315	483	258	7.5	/	/	/	/	2	φ18.5	/	/	/	/	/	/	/	/	/	/	/	/	/	Y100L2/4	3	129	
XA40/13	741	37	430	675	120	294	225	225	330	190	7.5	/	/	/	/	2	φ18.5	/	/	/	/	/	/	/	/	/	/	/	/	/	Y80/4	0.55	72	
XA40/16	766	57	450	730	140	319	255	255	370	210	7.5	/	/	/	/	2	φ18.5	/	/	/	/	/	/	/	/	/	/	/	/	/	Y90S-4	1.1	85	
XA40/20	812	51	450	760	150	345	285	285	418	238	7.5	/	/	/	/	2	φ18.5	/	/	/	/	/	/	/	/	/	/	/	/	/	Y90L-4	1.5	103	
XA40/26	856	73	450	760	150	389	315	315	483	258	7.5	/	/	20	18	2	φ18.5	/	/	/	/	/	/	/	120	65	122	145	185	17.5	4-φ17.5	Y100L2-4	3	131
XA40/32	1090	105	580	970	190	488	350	350	523	298	8	/	/	20	18	2	φ18.5	/	/	/	/	/	/	/	120	65	122	145	185	17.5	4-φ17.5	Y132S-4	5.5	214
XA40/32A	1090	105	580	970	190	488	350	350	523	298	8	/	/	20	18	2	φ18.5	/	/	/	/	/	/	/	120	65	122	145	185	17.5	4-φ17.5	Y132S-4	5.5	214
XA40/32B	1090	105	580	970	190	488	350	350	523	298	8	/	/	20	18	2	φ18.5	/	/	/	/	/	/	/	120	65	122	145	185	17.5	4-φ17.5	Y132S-4	5.5	214
XA50/13	786	57	450	730	140	319	255	255	370	210	7.5	22	20	20	20	2	φ18.5	120	80	133	160	200	17.5	120	65	122	145	185	17.5	4-φ17.5	Y90S-4	1.1	83	
XA50/16	812	51	450	760	150	345	285	285	418	238	7.5	22	20	20	20	2	φ18.5	120	80	133	160	200	17.5	120	65	122	145	185	17.5	4-φ17.5	Y90L-4	1.5	97	
XA50/20	857	69	450	760	150	390	285	285	438	238	7.5	22	20	20	20	2	φ18.5	120	80	133	160	200	17.5	120	65	122	145	185	17.5	4-φ17.5	Y100L1-4	2.2	111	
XA50/26	952	77	500	800	150	485	315	315	483	258	7.5	22	20	20	20	2	φ18.5	120	80	133	160	200	17.5	120	65	122	145	185	17.5	4-φ17.5	Y132S-4	5.5	164	
XA50/32	1215	94	680	1115	210	613	395	395	623	343	8.5	22	20	20	20	2	φ24	120	80	133	160	200	17.5	120	65	122	145	185	17.5	4-φ17.5	Y160M-4	11	293	
XA50/32A	1130	79	630	1060	210	528	395	395	623	343	8.5	22	20	20	20	2	φ24	120	80	133	160	200	17.5	120	65	122	145	185	17.5	4-φ17.5	Y132M-4	7.5	246	
XA50/32B	1130	79	630	1060	210	528	395	395	623	343	8.5	22	20	20	20	2	φ24	120	80	133	160	200	17.5	120	65	122	145	185	17.5	4-φ17.5	Y132M-4	7.5	246	
XA65/13	812	51	450	760	150	345	285	285	418	238	7.5	24	22	22	20	2	φ18.5	150	100	158	180	220	17.5	120	80	133	160	200	17.5	8-φ17.5	Y90L/4	1.5	98	
XA65/16	857	69	450	760	150	390	285	285	438	238	7.5	24	22	22	20	2	φ18.5	150	100	158	180	200	17.5	120	80	133	160	200	17.5	8-φ17.5	Y100L1-4	2.2	108	
XA65/20	880	73	450	760	150	413	315	315	483	258	7.5	26	22	22	20	2	φ18.5	200	125	184	210	250	17.5	120	80	133	160	200	17.5	8-φ17.5	Y112M-4	4	137	
XA65/26	1105	105	580	970	190	528	350	350	548	298	8	26	24	22	20	2	φ18.5	200	125	184	210	250	17.5	120	80	133	160	200	17.5	8-φ17.5	Y132M-4	7.5	212	

注：吸入锥管，吐出锥管只作附件，价格另计。Note: The suction cone-pipe, discharge cone-pipe are only as the attachments, their price will be counted separately.

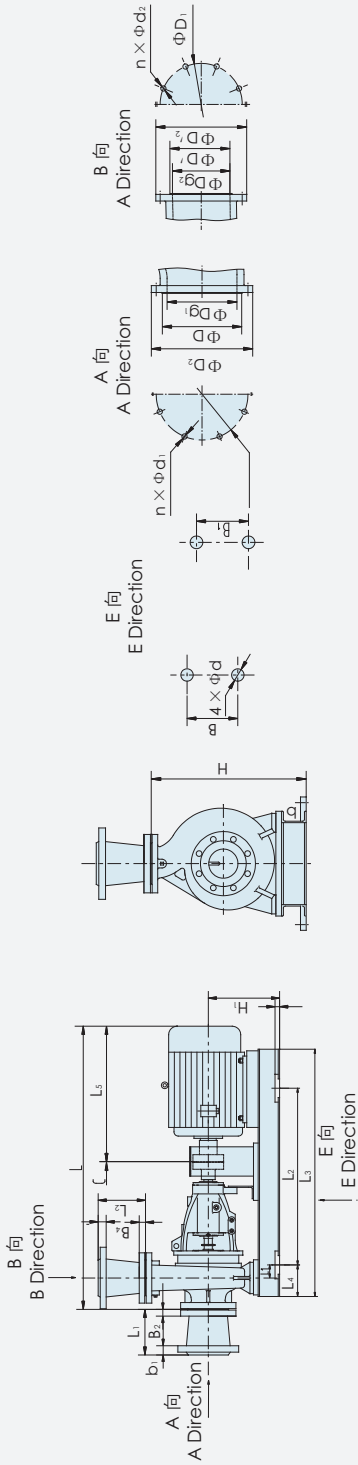
XA型泵外形及安装尺寸图表 XA Type Pump Outline & Installation Dimension Sheet



泵型号 Type	泵安装尺寸 (mm) Pump Installation Dimension										吸入锥管 (mm) Suction Cone-pipe					吐出锥管 (mm) Discharge Cone-pipe					电动机 Motor		总质量 Total Weight										
	L	L1	L2	L3	L4	L5	B	B1	H	H1	b	b1	b2	b3	b4	c	φd	li	Dg1	D	D1	D2	n-d1	li	Dg2	D'	D1	D2	n-d2	型号 Type	功率 Power (KW)	(电机) Motor (底座) Base	(kg)
XA65/32	1260	94	680	1115	210	658	395	395	623	343	8.5	26	22	22	20	2	φ24	200	125	184	210	250	8-φ17.5	120	80	133	160	200	8-φ17.5	Y160L-4	15		315
XA65/32A	1215	94	680	1115	210	613	395	395	623	343	8.5	26	22	22	20	2	φ24	200	125	184	210	250	8-φ17.5	120	80	133	160	200	8-φ17.5	Y160M-4	11		302
XA65/32B	1215	94	680	1115	210	613	395	395	623	343	8.5	26	22	22	22	2	φ24	200	125	184	210	250	8-φ17.5	120	80	133	160	200	8-φ17.5	Y160M-4	11		302
XA80/16	881	73	450	760	150	389	315	315	483	258	7.5	26	24	24	20	2	φ24	220	150	212	240	285	22	150	100	158	180	220	8-φ17.5	Y100L2-4	3		124
XA80/20	1130	113	550	945	185	528	350	350	525	275	8	26	24	24	22	2	φ24	220	150	212	240	285	22	150	100	158	180	220	8-φ17.5	Y132M-4	7.5		197
XA80/26	1215	120	630	1060	210	613	395	395	598	318	8.5	26	24	24	22	2	φ24	220	150	212	240	285	22	150	100	158	180	220	8-φ17.5	Y160M-4	11		279
XA80/32	1287	104	750	1185	220	685	395	395	683	368	8.5	26	24	24	22	2	φ24	150	125	184	210	250	17.5	150	100	158	180	220	8-φ17.5	Y180M-4	18.5		370
XA80/32A	1260	104	750	1185	220	658	395	395	683	368	8.5	26	24	24	22	2	φ24	150	125	184	210	250	17.5	150	100	158	180	220	8-φ17.5	Y160L-4	15		327
XA80/32B	1260	104	750	1185	220	658	395	395	683	368	8.5	26	24	24	22	2	φ24	150	125	184	210	250	17.5	150	100	158	180	220	8-φ17.5	Y160L-4	15		327
XA80/40	1454	140	780	1230	230	790	420	420	779	424	9	26	24	24	22	2	φ24	150	125	184	210	250	17.5	150	100	158	180	220	8-φ17.5	Y200L-4	30		504
XA80/40A	1454	140	780	1230	230	790	420	420	779	424	9	26	24	24	22	2	φ24	150	125	184	210	250	17.5	150	100	158	180	220	8-φ17.5	Y200L-4	30		504
XA80/40B	1454	140	780	1230	230	790	420	420	779	424	9	26	24	24	22	2	φ24	150	125	184	210	250	17.5	150	100	158	180	220	8-φ17.5	Y200L-4	30		504
XA100/20	1215	120	630	1060	210	613	420	420	598	318	8.5	30	26	26	24	2	φ24	330	200	286	295	340	22	150	125	184	210	250	8-φ17.5	Y160M-4	11		273
XA100/26	1275	94	680	1115	210	658	395	395	623	343	8.5	30	26	26	24	2	φ24	330	200	286	295	340	22	150	125	184	210	250	8-φ17.5	Y160L-4	15		311
XA100/32	1342	104	750	1185	220	725	395	395	683	368	8.5	26	26	26	24	2	φ24	175	150	212	240	285	22	150	125	184	210	250	8-φ17.5	Y180L-4	22		402
XA100/32A	1342	104	750	1185	220	725	395	395	683	368	8.5	26	26	26	24	2	φ24	175	150	212	240	285	22	150	125	184	210	250	8-φ17.5	Y180L-4	22		402
XA100/32B	1342	104	750	1185	220	685	395	395	683	368	8.5	26	26	26	24	2	φ24	175	150	212	240	285	22	150	125	184	210	250	8-φ17.5	Y180M-4	18.5		384
XA100/40	1546	140	820	1320	250	863	540	540	800	445	9.5	26	26	26	24	3	φ28	175	150	212	240	285	22	150	125	184	210	250	8-φ17.5	Y225M-4	45		630
XA100/40A	1521	140	820	1320	250	838	540	540	800	445	9.5	26	26	26	24	3	φ28	175	150	212	240	285	22	150	125	184	210	250	8-φ17.5	Y225S-4	37		595

注：吸入锥管，吐出锥管只作附件，价格另计。Note: The suction cone-pipe, discharge cone-pipe are only as the attachments, their price will be counted separately.

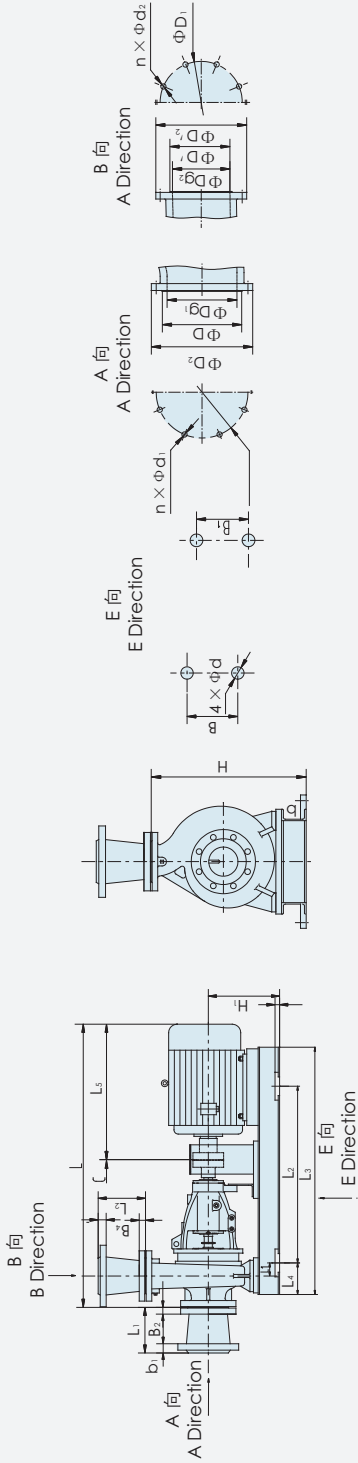
XA型泵外形及安装尺寸图表 XA Type Pump Outline & Installation Dimension Sheet



泵型号 Type	泵安装尺寸 (mm) Pump Installation Dimension										吸入锥管 (mm) Suction Cone-pipe					吐出锥管 (mm) Discharge Cone-pipe					电动机 Motor		总质量 Total Weight										
	L	L1	L2	L3	L4	L5	B	B1	H	H1	b	b1	b2	b3	b4	c	φd	li	Dg1	D	D1	D2	n-d1	li	Dg2	D'	D1	D2	n-d2	型号 Type	功率 Power (kW/HP)	(电机/底座) (Motor/Case)	
XA100/40B	1521	140	820	1320	250	838	540	540	800	445	9.5	26	26	26	24	3	φ28	175	150	212	240	285	8-φ22	150	125	184	210	250	8-φ17.5	Y225S-4	37	595	
XA125/20	1230	104	750	1185	220	613	395	395	683	368	8.5	30	26	26	26	2	φ24	350	200	268	295	340	8-φ22	175	150	212	240	285	8-φ22	Y160M-4	11	300	
XA125/26	1342	104	750	1185	220	725	395	395	723	368	8.5	30	26	26	26	2	φ24	350	200	268	295	340	8-φ22	175	150	212	240	285	8-φ22	Y180L-4	22	383	
XA125/32	1467	119	800	1260	230	790	490	490	786	368	9	30	26	26	26	2	φ24	350	200	268	295	340	8-φ22	175	150	212	240	285	8-φ22	Y200L-4	30	516	
XA125/32A	1467	119	800	1260	230	790	490	490	786	431	9	30	26	26	26	2	φ24	350	200	268	295	340	8-φ22	175	150	212	240	285	8-φ22	Y200L-4	30	516	
XA125/32B	1402	117	780	1230	230	725	540	365	786	431	9	30	26	26	26	2	φ24	350	200	268	295	340	8-φ22	175	150	212	240	285	8-φ22	Y180L-4	22	449	
XA125/40	1701	190	910	1510	300	1018	550	550	880	480	9.5	30	26	26	26	2	φ28	350	200	268	295	340	8-φ22	175	150	212	240	285	8-φ22	Y280S-4	75	891	
XA125/40A	1631	150	870	1390	260	948	490	490	880	480	9.5	30	26	26	26	2	φ28	350	200	268	295	340	8-φ22	175	150	212	240	285	8-φ22	Y250M-4	55	726	
XA125/40B	1631	150	870	1390	260	948	490	490	880	480	9.5	30	26	26	26	2	φ28	350	200	268	295	340	8-φ22	175	150	212	240	285	8-φ22	Y250M-4	55	726	
XA150/20	1347	114	780	1230	230	685	540	365	831	431	9	32	30	30	26	2	φ28	350	250	320	355	405	8-φ26	350	350	200	268	295	340	12-φ22	Y180M-4	18.5	424
XA150/26	1487	119	800	1260	230	790	440	440	756	401	9	32	30	30	26	2	φ28	350	250	320	355	405	8-φ26	350	350	200	268	295	340	12-φ22	Y200L-4	30	495
XA150/32	1651	150	870	1390	260	948	540	540	845	445	9.5	32	30	30	26	2	φ28	350	250	320	355	405	8-φ26	350	350	200	268	295	340	12-φ22	Y250M-4	55	696
XA150/32A	1566	140	820	1320	250	863	540	540	845	445	9.5	32	30	30	26	2	φ28	350	250	320	355	405	8-φ26	350	350	200	268	295	340	12-φ22	Y225M-4	45	626
XA150/32B	1541	140	820	1320	250	838	540	540	845	445	9.5	32	30	30	26	2	φ28	350	250	320	355	405	8-φ26	350	350	200	268	295	340	12-φ22	Y225S-4	37	591
XA150/40	1774	190	910	1510	300	1071	550	550	930	480	9.5	32	30	30	26	2	φ28	350	250	320	355	405	8-φ26	350	350	200	268	295	340	12-φ22	Y280M-4	90	942
XA150/40A	1724	190	910	1510	300	1021	550	550	930	480	9.5	32	30	30	26	2	φ28	350	250	320	355	405	8-φ26	350	350	200	268	295	340	12-φ22	Y280S-4	75	927
XA150/40B	1724	190	910	1510	300	1021	550	550	930	480	9.5	32	30	30	26	2	φ28	350	250	320	355	405	8-φ26	350	350	200	268	295	340	12-φ22	Y280S--4	75	927

注：吸入锥管，吐出锥管只作附件，价格另计。Note: The suction cone-pipe, discharge cone-pipe are only as the attachments, their price will be counted separately.

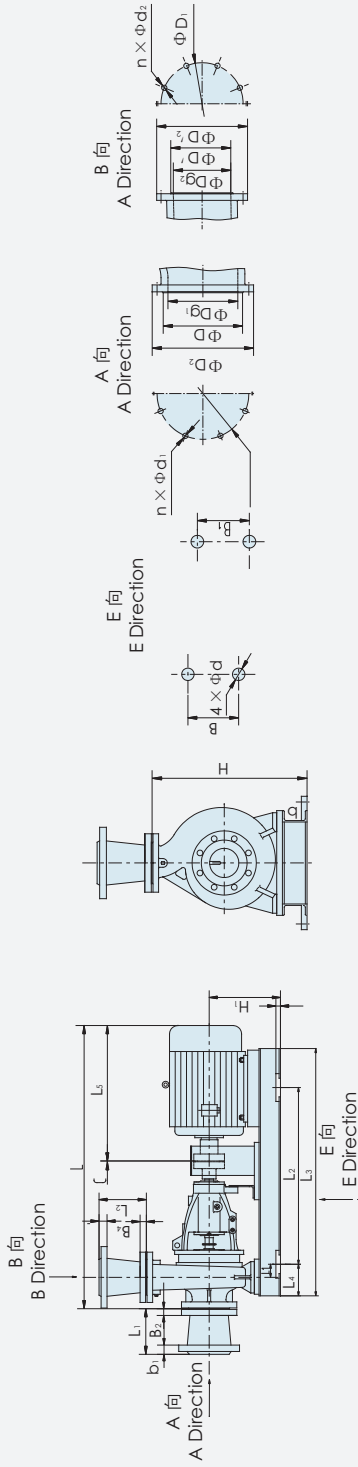
XA型泵外形及安装尺寸图表 XA Type Pump Outline & Installation Dimension Sheet



泵型号 Type	泵安装尺寸 (mm) Pump Installation Dimension										吸入锥管 (mm) Suction Cone-pipe				吐出锥管 (mm) Discharge Cone-pipe				电动机 Motor		总质量 (kg) (电机/底座) Total Weight (Motor/Case)											
	L	L1	L2	L3	L4	L5	B	B1	H	H1	b	b1	b2	b3	b4	c	φd	li	Dg1	D		D1	D2	n-d1	li	Dg2	D'	D1'	D2'	n-d2	型号 Type	功率 Power
XA150/50	2220	160	1150	1730	290	1361	565	565	1040	540	9.5	32	30	30	26	6	φ6-22	350	250	320	355	405	8-φ26	350	200	268	295	340	12-φ22	Y315M1-4	132	1834
XA150/50A	2150	132	1154	1674	260	1291	565	565	1040	540	9.5	32	30	30	26	6	φ6-22	350	250	320	355	405	8-φ26	350	200	268	295	340	12-φ22	Y315S-4	110	1613
XA150/50B	2150	132	1154	1674	260	1291	565	565	1040	540	9.5	32	30	30	26	6	φ6-22	350	250	250	355	405	8-φ26	350	200	268	295	340	12-φ22	Y315S-4	110	1613
XA200/32	1899	120	1090	1580	245	1021	545	545	970	520	9.5	32	32	32	30	5	φ6-22	350	300	370	410	460	12-φ26	350	250	320	355	405	12-φ26	Y280S-4	75	1108
XA200/32A	1826	102	1076	1536	230	948	545	545	970	520	9.5	32	32	32	30	5	φ6-22	350	300	370	410	460	12-φ26	350	250	320	355	405	12-φ26	Y250M-4	55	888
XA200/32B	1741	90	920	1360	220	863	545	545	970	520	9.5	32	32	32	30	5	φ6-22	350	300	370	410	460	12-φ26	350	250	320	355	405	12-φ26	Y225M-4	45	730
XA200/40	2169	132	1154	1674	260	1291	565	565	1020	520	9.5	32	32	32	30	5	φ6-22	350	300	370	410	460	12-φ26	350	250	320	355	405	12-φ26	Y315S-4	110	1590
XA200/40A	1949	135	1100	1630	265	1071	545	545	1020	520	9.5	32	32	32	30	5	φ6-22	350	300	370	410	460	12-φ26	350	250	320	355	405	12-φ26	Y280M-4	90	1322
XA200/40B	1899	84	1089	1579	215	1021	545	545	1020	520	9.5	32	32	32	30	5	φ6-22	350	300	370	410	460	12-φ26	350	250	320	355	405	12-φ26	Y280S-4	75	1250
XA200/50	2395	138	1314	1954	320	1361	705	705	1155	610	10	32	32	32	30	8	φ6-26	350	300	370	410	460	12-φ26	350	250	320	355	405	12-φ26	Y315L2-4	200	2036
XA200/50A	2395	138	1314	1954	320	1361	705	705	1155	610	10	32	32	32	30	8	φ6-26	350	300	370	410	460	12-φ26	350	250	320	355	405	12-φ26	Y315L1-4	100	1960
XA200/50B	2395	112	1315	1903	294	1361	705	705	1155	610	10	32	32	32	30	8	φ6-26	350	300	370	410	460	12-φ26	350	250	320	355	405	12-φ26	Y315M-4	132	1894
XA250/32	2105	88	1264	1800	268	1071	705	705	1155	610	10	36	32	32	32	8	φ6-26	350	350	430	470	520	16-φ26	350	300	370	410	460	12-φ26	Y280M-4	90	1385
XA250/32A	2055	64	1262	1752	245	1021	705	705	1155	610	10	36	32	32	32	8	φ6-26	350	350	430	470	520	16-φ26	350	300	370	410	460	12-φ26	Y280S-4	75	1320
XA250/32B	2055	64	1262	1752	245	1021	705	705	1155	610	10	36	32	32	32	8	φ6-26	350	350	430	470	520	16-φ26	350	300	370	410	460	12-φ26	Y280S-4	75	1320

注：吸入锥管、吐出锥管只作附件，价格另计。Note: The suction cone-pipe, discharge cone-pipe are only as the attachments, their price will be counted separately.

XA型泵外形及安装尺寸图表 XA Type Pump Outline & Installation Dimension Sheet



泵型号 Type	泵安装尺寸 (mm) Pump Installation Dimension														吸入锥管 (mm) Suction Bore-pipe					吐出锥管 (mm) Discharge Bore-pipe					电动机 Motor		总质量 Total Weight (kg)						
	L	L1	L2	L3	L4	L5	B	B1	H	H1	b	b1	b2	b3	b4	c	φd	li	Dg1	D	D1	D2	n-d1	li	Dg2	D'	D1'	D2'	n-d2	型号 Type	功率 Power (kW)	电动机 Motor (kg)	底座 Base (kg)
XA250/40	2395	112	1315	1903	294	1361	705	705	1155	610	10	36	32	32	32	8	φ6-26	350	430	470	520	16-φ ₂₆	350	300	370	410	460	12-φ ₂₆	Y315M-4	132	1920		
XA250/40A	2325	85	1316	1285	265	1291	705	705	1155	610	10	36	32	32	32	8	φ6-26	350	430	470	520	16-φ ₂₆	350	300	370	410	460	12-φ ₂₆	Y315S-4	110	1705		
XA250/40B	2105	88	1264	1800	268	1071	705	705	1155	610	10	36	32	32	32	8	φ6-26	350	430	470	520	16-φ ₂₆	350	300	370	410	460	12-φ ₂₆	Y280M-4	90	1540		
XA250/50	2625	159	1357	2037	340	1591	705	705	1155	610	10	36	32	32	32	8	φ6-26	350	430	470	520	16-φ ₂₆	350	300	370	410	460	12-φ ₂₆	Y355M-4	220	2685		
XA250/50A	2395	138	1314	1954	320	1361	705	705	1155	610	10	36	32	32	32	8	φ6-26	350	430	470	520	16-φ ₂₆	350	300	370	410	460	12-φ ₂₆	Y315L2-4	200	2302		
XA250/50B	2395	138	1314	1954	320	1361	705	705	1155	610	10	36	32	32	32	8	φ6-26	350	430	470	520	16-φ ₂₆	350	300	370	410	460	12-φ ₂₆	Y315L1-4	160	2080		
XA300/40	2365	85	1316	1285	265	1291	735	735	1290	690	10	38	36	36	36	8	φ6-26	350	400	482	525	580	30	350	350	430	470	520	16-φ ₂₆	Y315S-6	75	1785	
XA300/40A	2145	88	1264	1800	268	1071	735	735	1290	690	10	38	36	36	36	5	φ6-26	350	400	482	525	580	30	350	350	430	470	520	16-φ ₂₆	Y280M-6	55	1685	
XA300/40B	2095	64	1262	1752	245	1021	735	735	1290	690	10	38	36	36	36	5	φ6-26	350	400	482	525	580	30	350	350	430	470	520	16-φ ₂₆	Y280S-6	45	1602	
XA300/40H	2665	159	1357	2037	340	1591	735	735	1290	690	10	38	36	36	36	8	φ6-26	350	400	482	525	580	30	350	350	430	470	520	16-φ ₂₆	Y355M-4	220	2750	
XA300/40HA	2435	138	1314	1954	320	1361	735	735	1290	690	10	38	36	36	36	8	φ6-26	350	400	482	525	580	30	350	350	430	470	520	16-φ ₂₆	Y315L2-4	200	2420	
XA300/40HB	2435	138	1314	1954	320	1361	735	735	1290	690	10	38	36	36	36	8	φ6-26	350	400	482	525	580	30	350	350	430	470	520	16-φ ₂₆	Y315L1-4	160	2135	
XA350/40	2572	87	1456	2046	295	1361	745	745	1360	710	10.5	40	38	38	38	8	φ6-30	400	450	532	585	640	30	400	400	482	525	580	16-φ ₃₀	Y315M-6	90	1995	
XA350/40A	2502	61	1457	1995	269	1291	745	745	1360	710	10.5	40	38	38	38	8	φ6-30	400	450	532	585	640	30	400	400	482	525	580	16-φ ₃₀	Y315S-6	75	1826	
XA350/40B	2502	61	1457	1995	269	1291	745	745	1360	710	10.5	40	38	38	38	8	φ6-30	400	450	532	585	640	30	400	400	482	525	580	16-φ ₃₀	Y315S-6	75	1826	

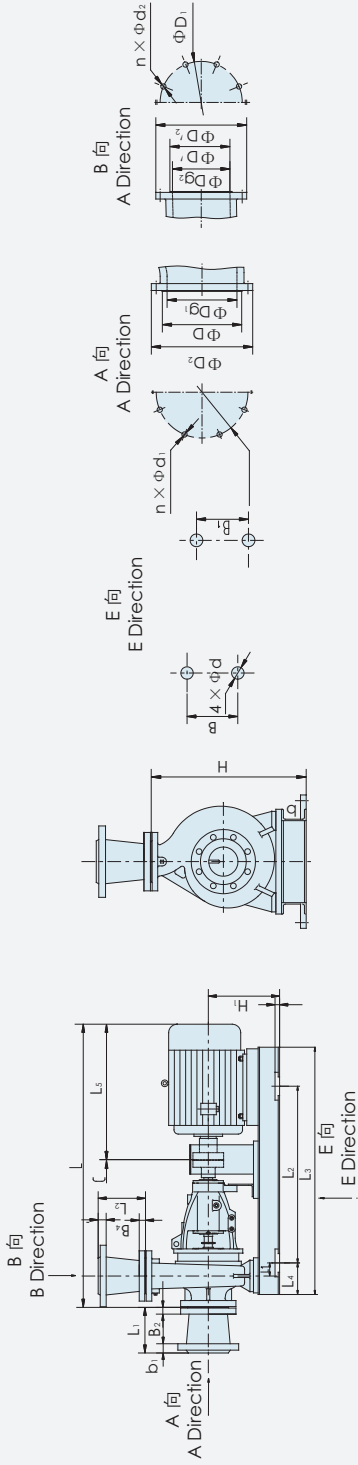
注：吸入锥管，吐出锥管只作附件，价格另计。Note: The suction cone-pipe, discharge cone-pipe are only as the attachments, their price will be counted separately.

XA型泵安装尺寸图表

XA Type Pump Installation Dimension Sheet



XA型泵外形及安装尺寸图表 XA Type Pump Outline & Installation Dimension Sheet



泵型号 Type	泵安装尺寸 (mm) Pump Installation Dimension										吸入锥管 (mm) Suction Cone-pipe					吐出锥管 (mm) Discharge Cone-pipe					电动机 Motor		总质量 Total Weight									
	L	L1	L2	L3	L4	L5	B	B1	H	H1	b	b1	b2	b3	b4	c	φd	li	Dg1	D	D1	D2	n-d1	l2	Dg2	D'	D1	D2	n-d2	型号 Type	功率 Power (KW)	(电机) Motor (底座) Base
XA350/40H	2802	172	1496	2256	380	1591	745	745	1360	710	10.5	40	38	36	8	φ 6-30	20-φ 30	400	450	532	585	640	16-φ 30	400	400	482	525	580	16-φ 30	Y355L-4	280	2820
XA350/40HA	2802	137	1496	2186	345	1591	745	745	1360	710	10.5	40	38	36	8	φ 6-30	20-φ 30	400	450	532	585	640	16-φ 30	400	400	482	525	580	16-φ 30	Y355M-4	250	2788
XA350/40HB	2572	111	1458	2098	320	1361	745	745	1360	710	10.5	40	38	36	8	φ 6-30	20-φ 30	400	450	532	585	640	16-φ 30	400	400	482	525	580	16-φ 30	Y315L2-4	260	2445
XA400/50	2622	111	1458	2098	320	1361	745	745	1490	790	10.5	44	40	38	8	φ 6-30	20-φ 33	400	500	585	650	715	20-φ 33	400	450	532	585	640	20-φ 30	Y315L2-8	110	2258
XA400/50A	2622	111	1458	2098	320	1361	745	745	1490	790	10.5	44	40	38	8	φ 6-30	20-φ 33	400	500	585	650	715	20-φ 33	400	450	532	585	640	20-φ 30	Y315L1-8	90	2145
XA400/50B	2622	87	1456	2046	295	1361	745	750	1490	790	10.5	44	40	38	8	φ 6-30	20-φ 33	400	500	585	650	715	20-φ 33	400	450	532	585	640	20-φ 30	Y315M-8	75	2085
XA400/50H	3262	376	1598	2798	600	2001	780	780	1490	790	10.5	44	40	38	8	φ 6-30	20-φ 33	400	500	585	650	715	20-φ 33	400	450	532	585	640	20-φ 30	Y400-6	315	4200
XA400/50HA	3262	376	1598	2798	600	2001	780	780	1490	790	10.5	44	40	38	8	φ 6-30	20-φ 33	400	500	585	650	715	20-φ 33	400	450	532	585	640	20-φ 30	Y400-6	280	3800
XA400/50HB	2852	172	1496	2256	380	1591	780	780	1490	790	10.5	44	40	38	8	φ 6-30	20-φ 33	400	500	585	650	715	20-φ 33	400	450	532	585	640	20-φ 30	Y355L-6	250	3665
XA500/50	2902	137	1496	2186	345	1591	745	745	1540	790	10.5	46	44	44	8	φ 6-30	20-φ 36	400	600	685	770	840	20-φ 36	400	550	635	710	775	20-φ 33	Y355M-8	132	2938
XA500/50A	2672	111	1458	2098	320	1361	745	745	1540	790	10.5	46	44	44	8	φ 6-30	20-φ 36	400	600	685	770	840	20-φ 36	400	550	635	710	775	20-φ 33	Y315L2-8	110	2450
XA500/50B	2672	111	1458	2098	320	1361	745	745	1540	790	10.5	46	44	44	8	φ 6-30	20-φ 36	400	600	685	770	840	20-φ 36	400	550	635	710	775	20-φ 33	Y315L1-8	90	2370
XA500/50H	3312	376	1598	2798	600	2001	780	780	1540	790	10.5	46	44	44	8	φ 6-30	20-φ 36	400	600	685	770	840	20-φ 36	400	550	635	710	775	20-φ 33	Y400-6	400	4600
XA500/50HA	3312	376	1598	2798	600	2001	780	780	1540	790	10.5	46	44	44	8	φ 6-30	20-φ 36	400	600	685	770	840	20-φ 36	400	550	635	710	775	20-φ 33	Y400-6	355	4480
XA500/50HB	3312	376	1598	2798	600	2001	780	780	1540	790	10.5	46	44	44	8	φ 6-30	20-φ 36	400	600	685	770	840	20-φ 36	400	550	635	710	775	20-φ 33	Y400-6	280	3890

注：吸入锥管，吐出锥管只作附件，价格另计。Note: The suction cone-pipe, discharge cone-pipe are only as the attachments, their price will be counted separately.