

"QUALITY PUMPS SINCE 1939"

Product information presented here reflects conditions at time of publication. Consult factory regarding discrepancies or inconsistencies.

ZOELLER
PUMP CO.



SECTION: 2.40.015

FM1745

0409

Supersedes

0205

MAIL TO: P.O. BOX 16347 • Louisville, KY 40256-0347
SHIP TO: 3649 Cane Run Road • Louisville, KY 40211-1961
(502) 778-2731 • 1 (800) 928-PUMP • FAX (502) 774-3624

visit our web site:
www.zoeller.com

COMPARE THESE FEATURES

- FM listed motor for Class 1, Division 1, Group C & D environments.



WARNING Not for use in acidic, methanol, or ethyl acetate atmospheres.

- Non-clogging vortex impeller design bronze class 88-8-0-4.
- Stainless steel rotor shaft.
- Durable cast construction. Cast iron cover, motor adapter and pump housing. All cast iron class 30, 30000# tensile strength.
- 20 ft. UL Listed 5-wire (1 PH) or 8-wire (3 PH) neoprene cord. Extra cords lengths available in 25'-35'-50' length only. Sensor leads & power leads in one cord for easy installation.
- Stainless steel plate, bolts, handle, guard and float rod guide, switch arm and actuator assembly.
- Brass float and float rod.
- Threaded conduit connection for protecting cords in extra heavy duty applications: 1¼" NPT (nonauto); 1½" NPT (auto).
- Moisture sensors prewired in motor housing (requires indicator in panel).
- Zoeller custom panel with intrinsically safe relays and moisture indicator is required with nonautomatic units.
- 3 phase models available.
- Motor - 60 Hz, 3450 RPM, oil-filled, hermetically sealed, automatic reset thermal overload protected (3 phase requires circuit in control panel).
- Maximum temperature for effluent or dewatering 104°F (40°C).
- Shaft Seal - Stainless steel wetted parts, carbon & ceramic rotary face seal.
- Upper ball bearing and lower ball bearing running in bath of oil.
- Neoprene square ring seals.
- All models pass ¾" spherical solids.
- Major width 13 5/16". Height 22" (Nonauto) & 24 15/16" (Auto).
- On point 19½"; off point 9¾" for automatic model.
- 1½" NPT discharge standard, 2" & 3" NPT Flange available.
- 100% computerized testing and 100% tested submerged in water.
- Corrosion resistant powder coated epoxy finish, with stainless steel screws and handle.

Note: The sizing of effluent systems normally requires variable level float(s) controls and properly sized basins to achieve required pumping cycles or dosing timers with nonautomatic pumps.

X161 - X163 - X165

(For Pump Prefix Identification see News & Views 0052)

**HIGH HEAD
EXPLOSION PROOF**

SUBMERSIBLE

EFFLUENT

OR DEWATERING PUMP

1½" NPT DISCHARGE STANDARD
2" AND 3" NPT FLANGE AVAILABLE



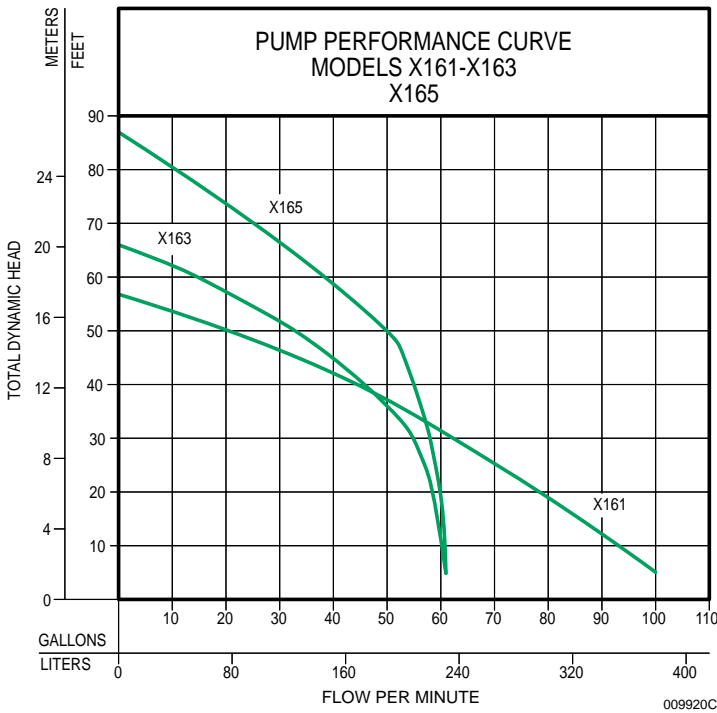
Automatic Model

Product may not be exactly as pictured.



Nonautomatic
Models for variable
level systems

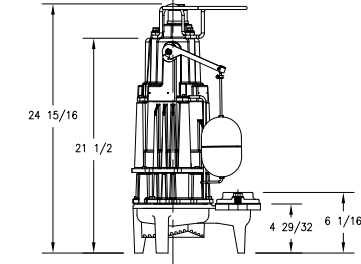
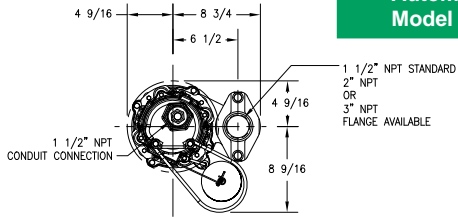
*See back page For FM Listing.



MODELS		X161		X163		X165	
Feet	Meters	Gal.	Liters	Gal.	Liters	Gal.	Liters
5	1.5	100	379	61	231	61	231
10	3.0	93	352	61	231	61	231
15	4.6	85	322	60	227	61	231
20	6.1	79	297	59	223	60	227
25	7.6	70	265	57	216	59	223
30	9.1	62	233	55	206	58	220
40	12.2	45	170	46	172	55	208
50	15.2	20	76	33	125	50	189
60	18.3	--	--	15	57	39	148
70	21.3	--	--	--	--	23	87
80	24.4	--	--	--	--	10	38
Shut-off Head:		56 ft. (17m)		66 ft. (20m)		86.5 ft. (26m)	

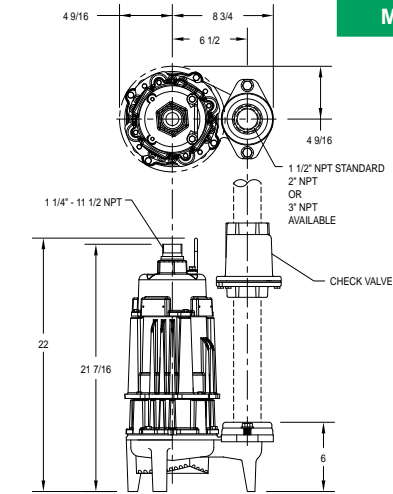
009920D

Automatic Model



SK2506

Nonautomatic Model



SK1912

Standard all models - 20 ft. cord - 1/2 H.P.

161 MODELS		Control Selection					Listing
Single Seal	Volts - Ph	Mode	Amps	Simplex	Duplex	FM	
MX161	115 1	Auto	15.5	5	---	Y	
NX161	115 1	Non	15.5	1 & 3 or 4	1 & 3 or 2	Y	
DX161	230 1	Auto	7.5	5	---	Y	
EX161	230 1	Non	7.5	1 & 3	1 & 3 or 2	Y	
HX161	200 1	Auto	8.8	5	---	Y	
IX161	200 1	Non	8.8	1 & 3	1 & 3 or 2	Y	
JX161	200 3	Non	6.4	1 & 3	1 & 3 or 2	Y	
FX161	230 3	Non	5.2	1 & 3	1 & 3 or 2	Y	
GX161	460 3	Non	2.9	1 & 3	1 & 3 or 2	Y	

Standard all models - 20 ft. cord - 1/2 H.P.

163 MODELS		Control Selection					Listing
Single Seal	Volts - Ph	Mode	Amps	Simplex	Duplex	FM	
MX163	115 1	Auto	15.0	5	---	Y	
NX163	115 1	Non	15.0	1 & 3	1 & 3 or 2	Y	
DX163	230 1	Auto	7.5	5	---	Y	
EX163	230 1	Non	7.5	1 & 3	1 & 3 or 2	Y	
HX163	200 1	Auto	8.5	5	---	Y	
IX163	200 1	Non	8.5	1 & 3	1 & 3 or 2	Y	
JX163	200 3	Non	6.0	1 & 3	1 & 3 or 2	Y	
FX163	230 3	Non	4.8	1 & 3	1 & 3 or 2	Y	
GX163	460 3	Non	2.9	1 & 3	1 & 3 or 2	Y	

Standard all models - 20 ft. cord - 1 H.P.

165 MODELS		Control Selection					Listing
Single Seal	Volts - Ph	Mode	Amps	Simplex	Duplex	FM	
DX165	230 1	Auto	10.2	5	---	Y	
EX165	230 1	Non	10.2	1 & 3	1 & 3 or 2	Y	
HX165	200 1	Auto	12.6	5	---	Y	
IX165	200 1	Non	12.6	1 & 3	1 & 3 or 2	Y	
JX165	200 3	Non	7.5	1 & 3	1 & 3 or 2	Y	
FX165	230 3	Non	7.4	1 & 3	1 & 3 or 2	Y	
GX165	460 3	Non	3.7	1 & 3	1 & 3 or 2	Y	
BAX165	575 3	Non	3.0	1 & 3	1 & 3 or 2	Y	

SELECTION GUIDE

1. See FM1705 for correct intrinsically safe simplex or duplex panel.
2. Mechanical alternator "M-Pak" 10-0076 or 10-0077 (See FM0495).
3. Variable level control switch used as a control activator. Quantity required dependent upon panel selection.
4. Prepackaged "913" and "914" system (See FM1783).
5. Integral float operated mechanical switch. No external control required. Seal failure indicator panel (10-1031) required for moisture sensors.

CAUTION

All installation of controls, protection devices and wiring should be done by a qualified licensed electrician. All electrical and safety codes should be followed including the most recent National Electrical Code (NEC) and the Occupational Safety and Health Act (OSHA).

For information on additional Zoeller products refer to catalog on Variable level control switch, FM0526; Duplex and Simplex controls, FM1705; Mechanical Alternator, FM0495; Sump/Sewage Basins, FM0487; and Rail Systems, FM0787.

RESERVE POWERED DESIGN

For unusual conditions a reserve safety factor is engineered into the design of every Zoeller pump.

© Copyright 2009 Zoeller Co. All rights reserved.