



self-priming stainless steel shallow well jet pumps



ClearJet models provide excellent performance with good pressure for wells to 25' deep. Self-priming after the priming chamber has been filled with water.

APPLICATIONS

- Water systems and sprinkling... for homes, farms and cottages.

SPECIFICATIONS

Maximum Liquid Temperature Limits – 122°F (50°C)
Max. Inlet Pressure: 50 PSI
Average Priming Time at 20 Feet:
 07SJH11C = 5.3 min.
 10SJH11C = 4.2 min.
Body – 304 Stainless steel
Jet Assembly, Diffuser, Impeller – Noryl®
Shaft – One-piece threaded, 416 grade stainless steel
Base – Polypropylene

ORDERING INFORMATION

Catalog No.	HP	Switch Setting	Description	Pipe Tapping Sizes		Motor Voltage	Approx. Wt. Lbs.
				Suct.	Disch.		
07SJH11C	3/4	30-50	Shallow Well Jet	1-1/4"	1"	115/230	26
10SJH11C	1	30-50	Shallow Well Jet	1-1/4"	1"	115/230	29

SJH SERIES

FEATURES

- Corrosion Free** – Stainless steel pump body provides maximum resistance to corrosion
- Built-in Jet** – High strength thermo-plastic components are corrosion resistant.
- Mechanical Shaft Seal** – Highly polished carbon-ceramic and stainless steel construction.
- Motor Windings** – Superior insulation materials protect against excessive moisture and contaminants... assure prolonged motor life.
- Balanced Rotor** – Die cast under high pressures for uniform performance and greater efficiency, dynamically balanced.
- Heavy-duty Ball Bearings** – Shielded, permanently lubricated bearings, extensively tested to ensure extended life and smooth, quiet operation.
- Pump and Motor Shaft** – Stainless steel for maximum corrosion resistance; one-piece threaded shaft for positive impeller drive and alignment.
- Dustproof Cover** – All electrical components are protected from dirt, dust and insects by a dustproof canopy; ventilating air cannot contaminate vital switching components.
- Pressure Switch** – Quality, fixed differential (20 PSI).

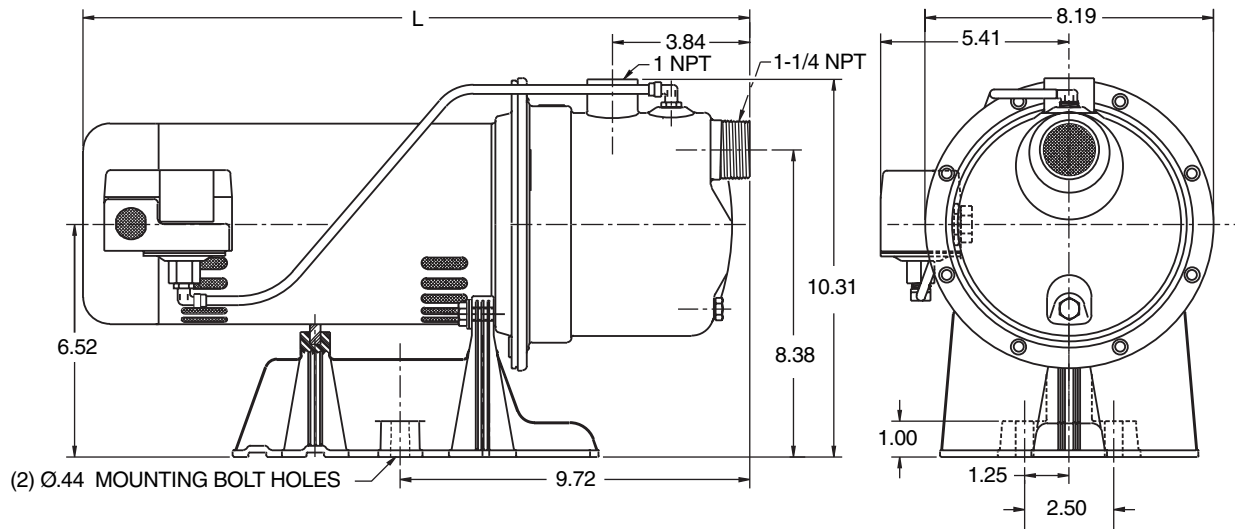
Noryl® is a registered trademark of General Electric Co. PRO-Source™ is a trademark of Pentair Water.

In order to provide the best products possible, specifications are subject to change.



self-priming stainless steel shallow well jet pumps

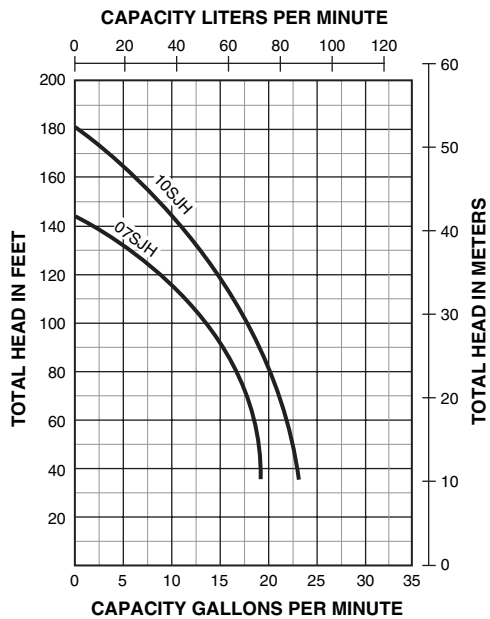
OUTLINE DIMENSIONS



Cat. No.	L
07SJH11C	18.19
10SJH11C	19.25

Dimensions (in inches) are for estimating purposes only.

PUMP PERFORMANCE



2.31 FT. OF HEAD = 1 PSI
1 FT. OF HEAD = .433 PSI

PUMP PERFORMANCE (Capacity in Gallons Per Minute)

Catalog Number	HP	Disch. Pressure PSI	Depth to Water					Shut-Off Pressure PSI
			5'	10'	15'	20'	25'	
07SJH11C	3/4	30	17.8	16.2	14.11	11.8	9.0	63
		40	11.5	11.2	10.8	10.6	8.6	
		50	5.5	5.5	5.5	5.5	5.5	
10SJH11C	1	30	18.6	16.5	14.5	12.0	9.1	80
		40	18.6	16.4	14.5	11.8	9.1	
		50	15.9	15.7	13.9	11.7	9.1	

Tested and rated in accordance with Water Systems Council Standards.
NOTE: 07SJH11C used 30-50 PSI pressure switch, 10SJH11C used 40-60 PSI pressure switch.
Pumps installed with a PRO-Source™ tank require a 100 PSI relief valve. Pumps installed with a conventional tank require a 75 PSI relief valve. Relief valve must be capable of relieving entire flow of pump at relief pressure.

