



ITT

Residential Water Systems

Red Jacket Water Products

Quick-Set™ RJA Convertible
(Deep/Shallow Well) Jet Pump



FEATURES

- Manual regulator provided with deep well packages. Corrosion and abrasion resistant.
- Shipping and carrying weight of the Quick-Set Jet is less than most conventional brands because heavy bolt-on or cast-on injectors are eliminated.
- Quick-Set shallow well injector is resistant to wear and corrosion. They won't swell in water like components made of nylon, so you can count on constant performance. For deep well application, a deep well injector must be installed in the well.
- Motor provides longlasting operation and easy replacement. Available in three horsepower versions – 1/2, 3/4 and 1 HP. Bug-proof and sand-proof motor casing assures longer lasting operation.
- Completely convertible case fits 1/2, 3/4 and 1 HP models.
- Rynite® diffuser is sealed to provide optimum corrosion and abrasion resistance. Warpage due to high temperatures is virtually eliminated.
- 20% glass-filled Noryl® impeller is corrosion, abrasion and heat resistant.



Red Jacket Water Products is
a brand of ITT Corporation.

www.redjacketwaterproducts.com

Engineered for life



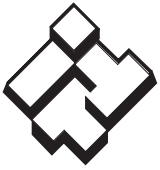
ITT

RED JACKET WATER PRODUCTS Residential Water Systems

QUICK-SET SHALLOW WELL PERFORMANCE RATINGS

Model	HP	Total Suction Lift (Feet)	Injector Style	Approximate Capacity (GPM) at Discharge Pressures					Shut-Off PSI	Pressure Switch Setting	Suction and Disch. Size
				20 PSI	30 PSI	40 PSI	50 PSI	60 PSI			
50RJA	½	5	High Pressure	9.0	8.7	8.3	7.2	4.4	78	20-40	1¼" x 1"
		15	High Capacity	16.6	16.5	11.7	5.0	–	57		
			High Pressure	6.6	6.5	6.3	6.0	3.6	75		
		25	High Capacity	12.4	12.3	9.0	2.5	–	53		
			High Pressure	4.4	4.4	4.4	4.2	2.2	69		
		High Capacity	7.5	7.4	5.0	–	–	48			
75RJA	¾	5	Combination	22.0	21.6	16.2	9.6	3.2	64	30-50	1¼" x 1"
		15		16.8	16.3	13.8	6.4	–	59		
		25		9.5	9.4	8.8	3.2	–	54		
100RJA	1	5	Combination	22.7	22.5	21.6	16.0	9.7	74	30-50	1¼" x 1"
		15		17.2	16.6	15.7	12.8	6.4	69		
		25		10.1	9.9	9.7	9.0	3.6	64		

The Quick-Set Jet is designed and manufactured with engineered simplicity in mind. Red Jacket Water Products has built in high performance, low energy consumption and special features that can substantially reduce installation time. The easy-to-stock Quick-Set components convert the Quick-Set Jet to deep or shallow well applications in minutes. Low pressure/high volume or high pressure/low volume settings can be made by simply selecting the right component and screwing it into the case. There are no more bulky bolt-on injectors or heavy jets with cast-iron injectors to wrestle with. The Quick-Set Jet also features a lightweight, streamlined case with two discharge openings making the pump easily adaptable to existing installation configurations.



ITT

RED JACKET WATER PRODUCTS Residential Water Systems

QUICK-SET DEEP WELL PERFORMANCE RATINGS – GALLONS PER MINUTE

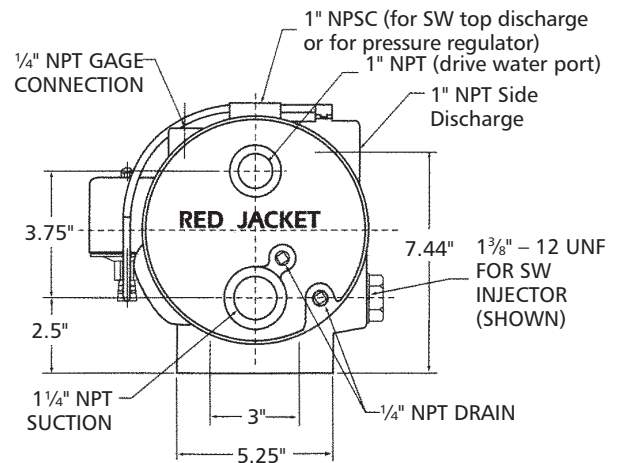
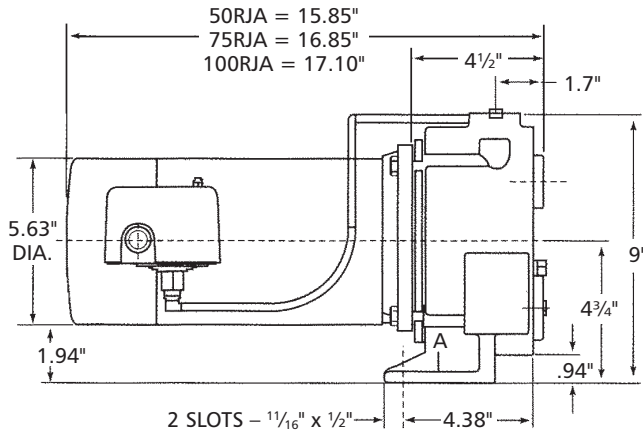
4" Double (Twin) Pipe			Depth to Jet Assembly (Minimum 5' Submergence)											Press. Control Valve Setting	Press. Switch Setting	Suction and Disch. Size
Model	HP	Injector	30'	40'	50'	60'	70'	80'	90'	100'	110'	120'	130'			
50RJA	½	E10-4	13.2	10.4	8.0	6.0	4.4	4.2	3.3	2.6	2.1	1.2		27	20-40	1¼" x 1"
		E25-4					5.3							30		
75RJA	¾	E11-4	15.5	12.1	9.3	6.5	5.4	4.1	3.0	3.2	2.4			30	30-50	1¼" x 1"
		E24-4			7.6									31		
		E13-4			4.0									31		
100RJA	1	E16-4	15.5	12.5	9.7	7.2	6.2	5.2	4.0	3.0	2.4	1.9	1.2	35	30-50	1¼" x 1"
		E15-4			8.0									38		
		E14-4			3.5									40		
2" Single Pipe (Packer System)																
50RJA	½	A13-2	13.4	10.7	8.0	5.8	4.4	3.4	2.6	1.7				27	20-40	1¼" x 1"
		A12-2				5.3								28		
75RJA	¾	A14-2	13.4	11.0	8.7	6.4	5.0	3.5	2.6	2.0	1.0			30	30-50	1¼" x 1"
		A10-2			7.8									32		
		A15-2			3.2									30		
100RJA	1	A16-2	15.3	12.2	9.4	6.4	5.2	4.0	2.9	2.3	1.5			38	30-50	1¼" x 1"
		A17-2			7.6									39		
		A18-2			3.1									39		



ITT

Residential Water Systems

DIMENSIONS



Red Jacket Water Products is a licensed trademark. Quick-Set and the ITT Engineered Blocks Symbol are registered trademarks and tradenames of ITT Corporation.

Noryl is a registered trademark of GE Plastic. Rynite is a trademark of Dupont.

SPECIFICATIONS ARE SUBJECT TO CHANGE WITHOUT NOTICE.

BRJQUICK March, 2008

© 2008 ITT Corporation

Engineered for life