

Macquarrie

CORPORATION PTY LTD



Mixed Flow



Axial Flow



Self Priming



Piston Pumps

Pump Curves and Parts List Catalogue

[Click Here to Enter Catalogue](#)

Pump Curves and Parts List

Mixed Flow Pumps

> **Curves** > **Parts List**



Axial Flow Pumps

> **Curves** > **Parts List**



Self Priming Pumps

> **Curves** > **Parts List**



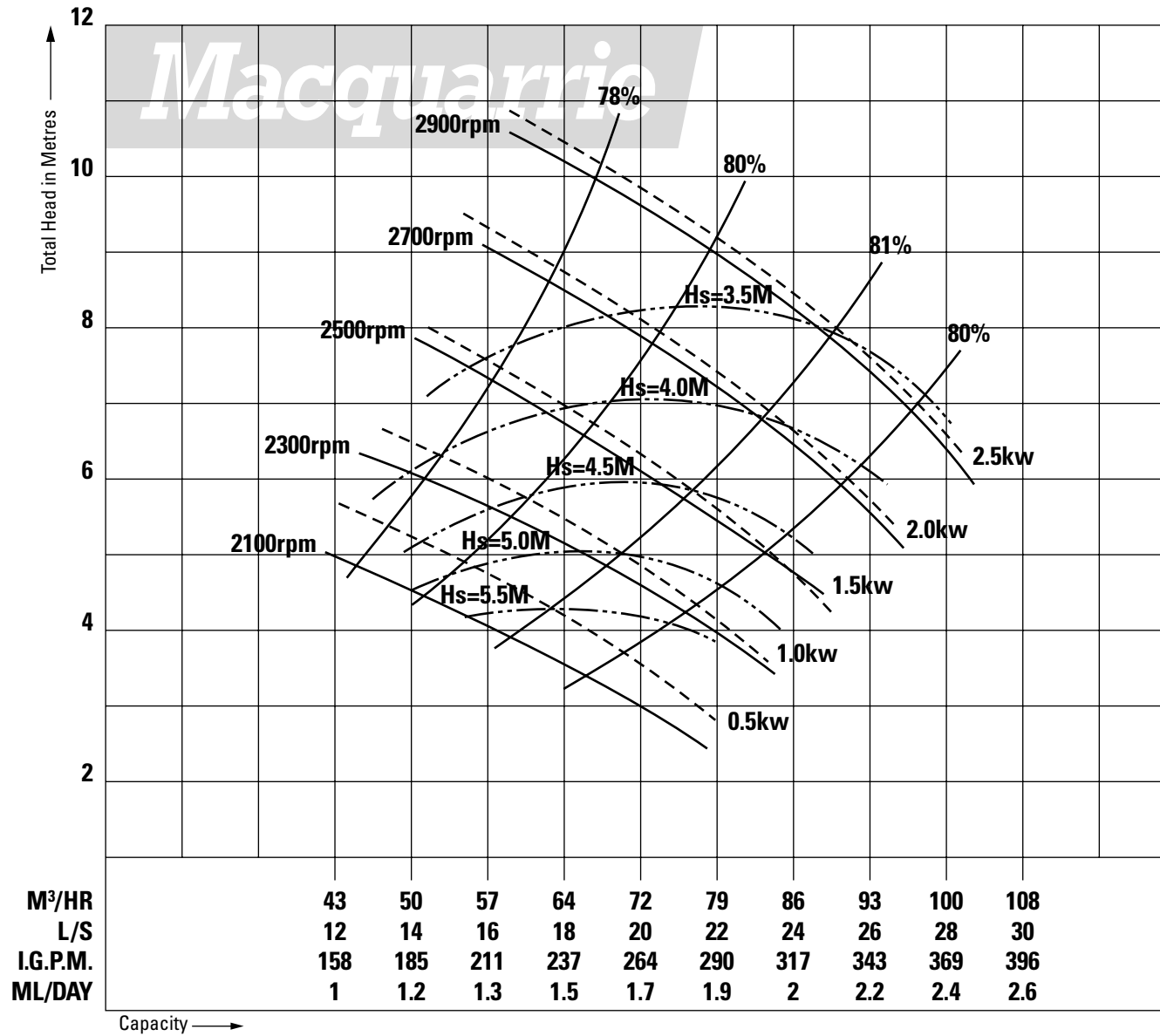
Piston Pumps

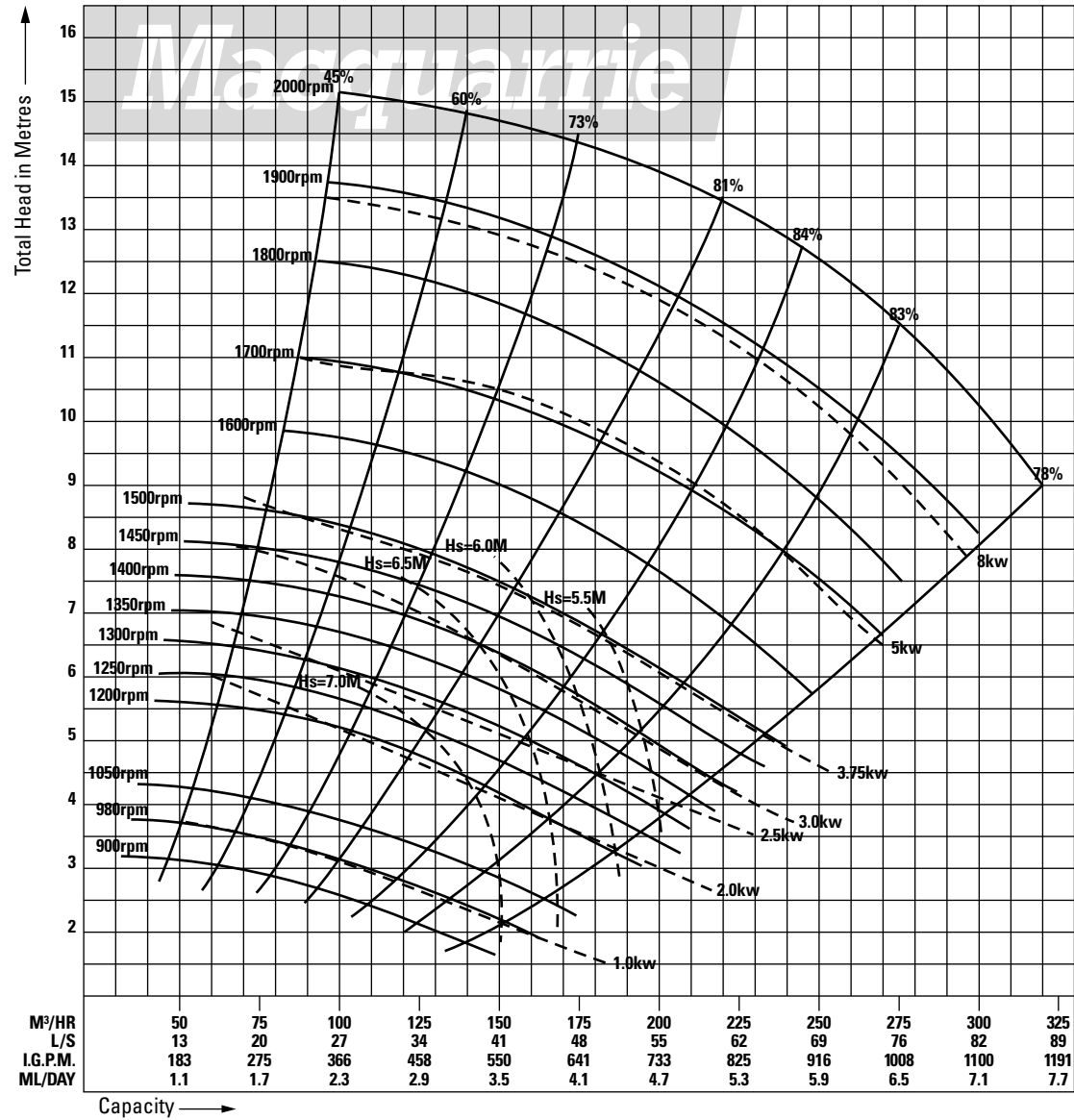
> **Curves** > **Parts List**

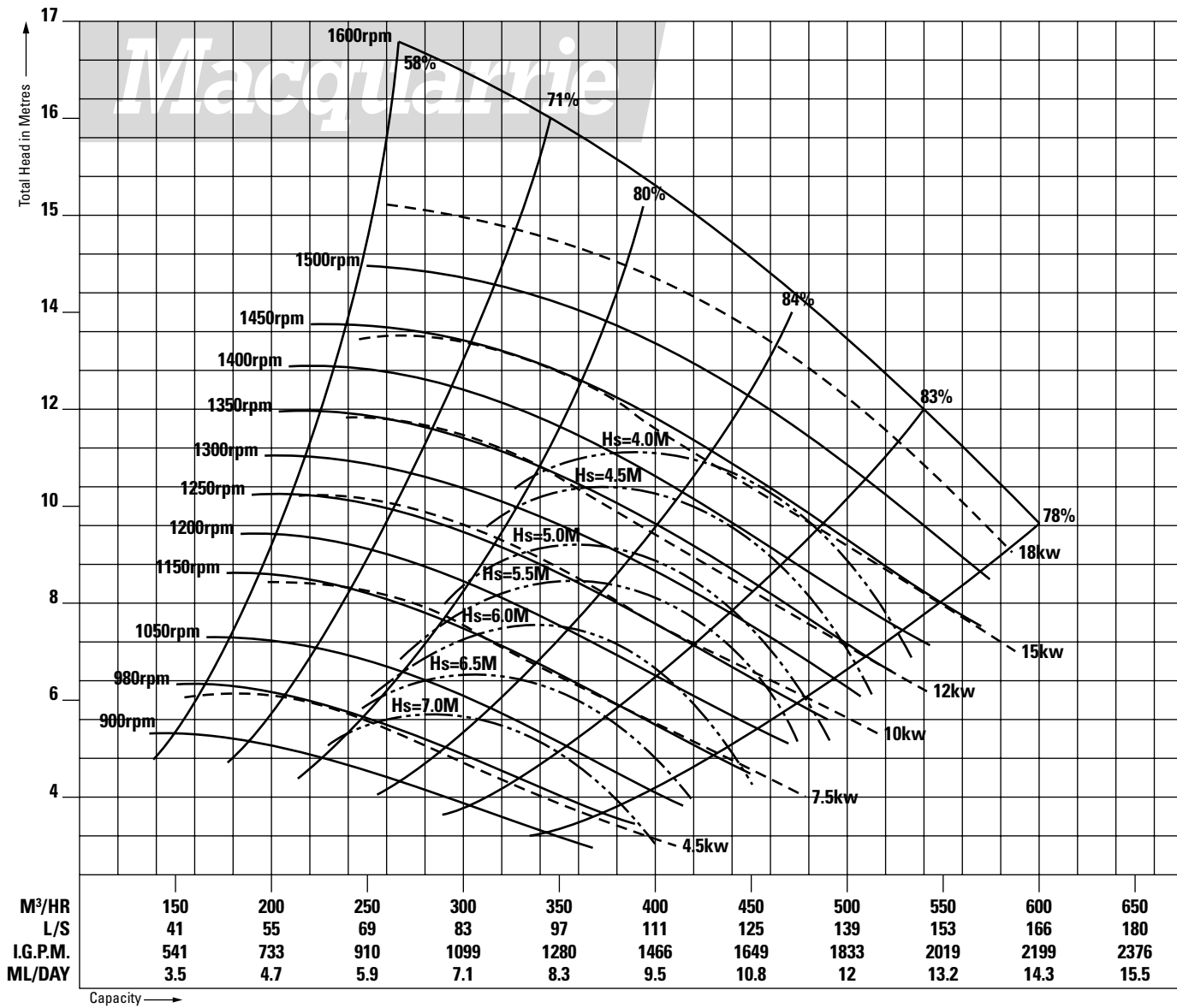


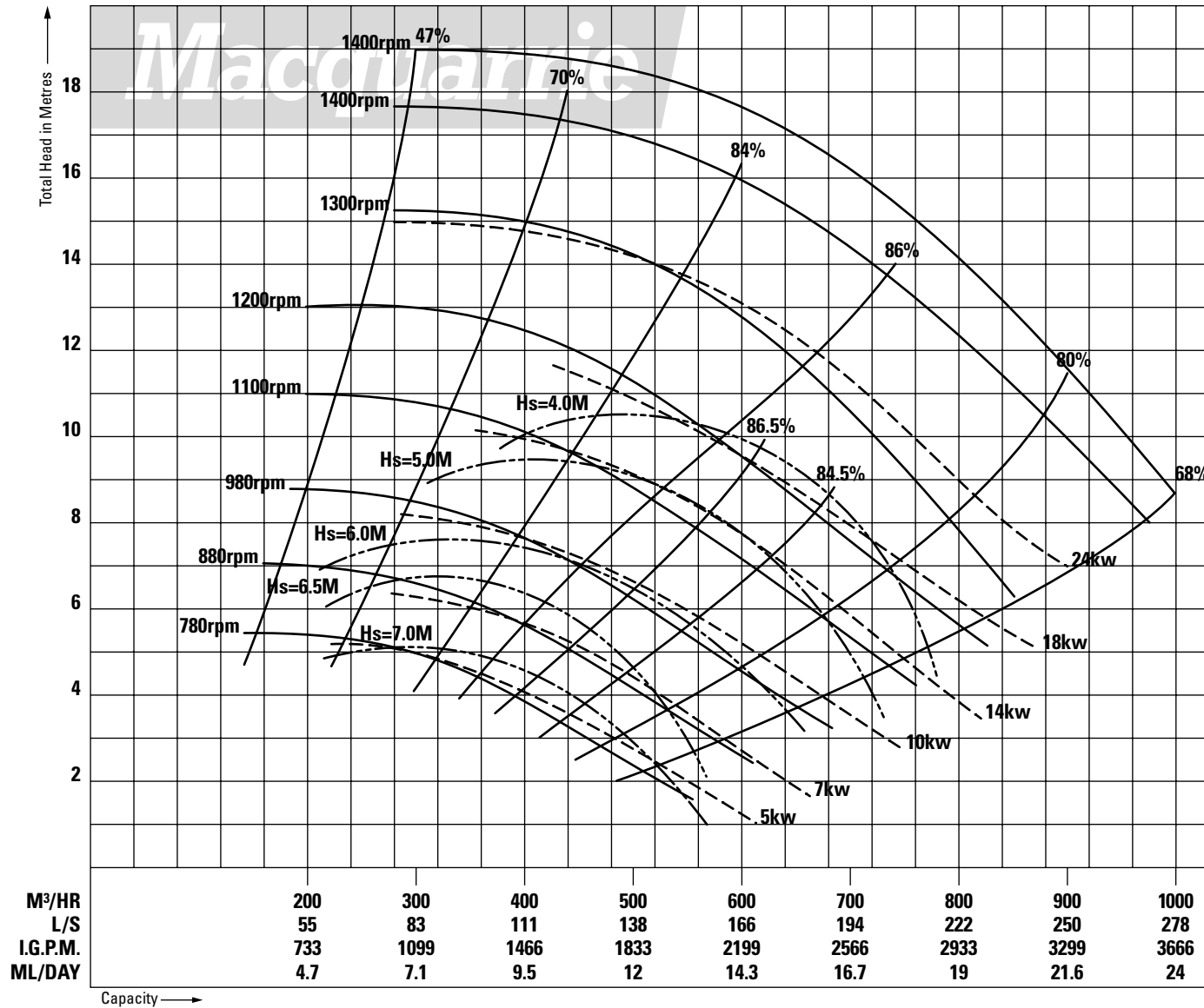
Wuxi HB and HBG Series Mixed Flow

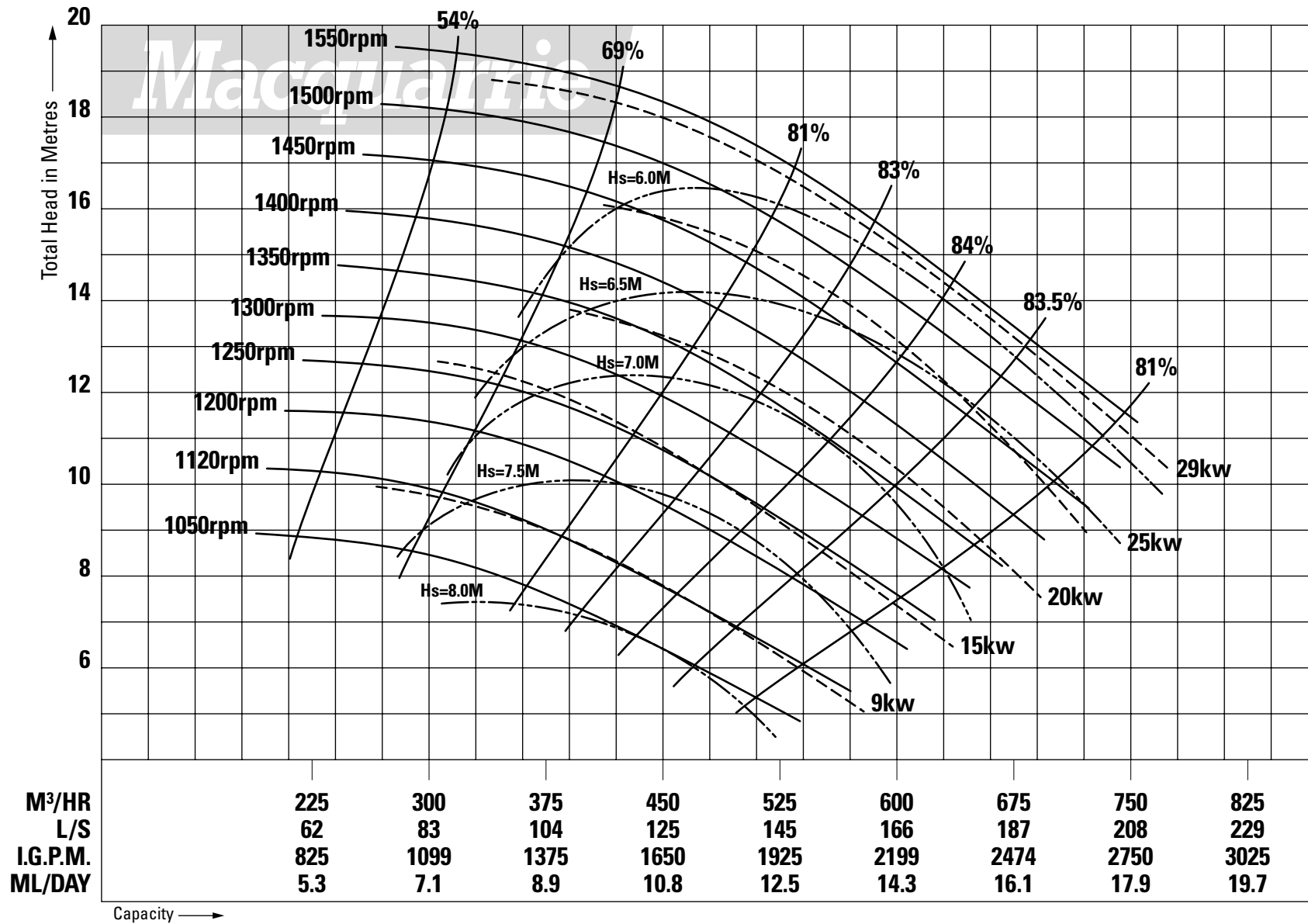
4HB-35	8HBC-35	10HB-40	12HBG-40	14HBG-40	16HBC-40	500HW-6
4HBC-35	8HBG-35	10HBC-40	300HW-8	350HW-8	16HBG-40	26HB-50
6HB-35	200HW-10	10HBG-40	12HB-50	16HB-30	400HW-7	26HBC-50
6HBC-35	10HB-30	250HW-11	12HBC-50T	16HBC-30	26HB-30	26HB-40
6HBG-35	10HBC-30	12HB-40	12HBG-50	16HBG-30	26HBC-30	26HBC-40
150HW-6	10HBG-30	12HBC-40	14HB-40	400HW-10	650HW-10	650HW-7
8HB-35	250HW-7	12HBC ₂ -40	14HBC-40	16HB-40	20HWC-40	800HW-16

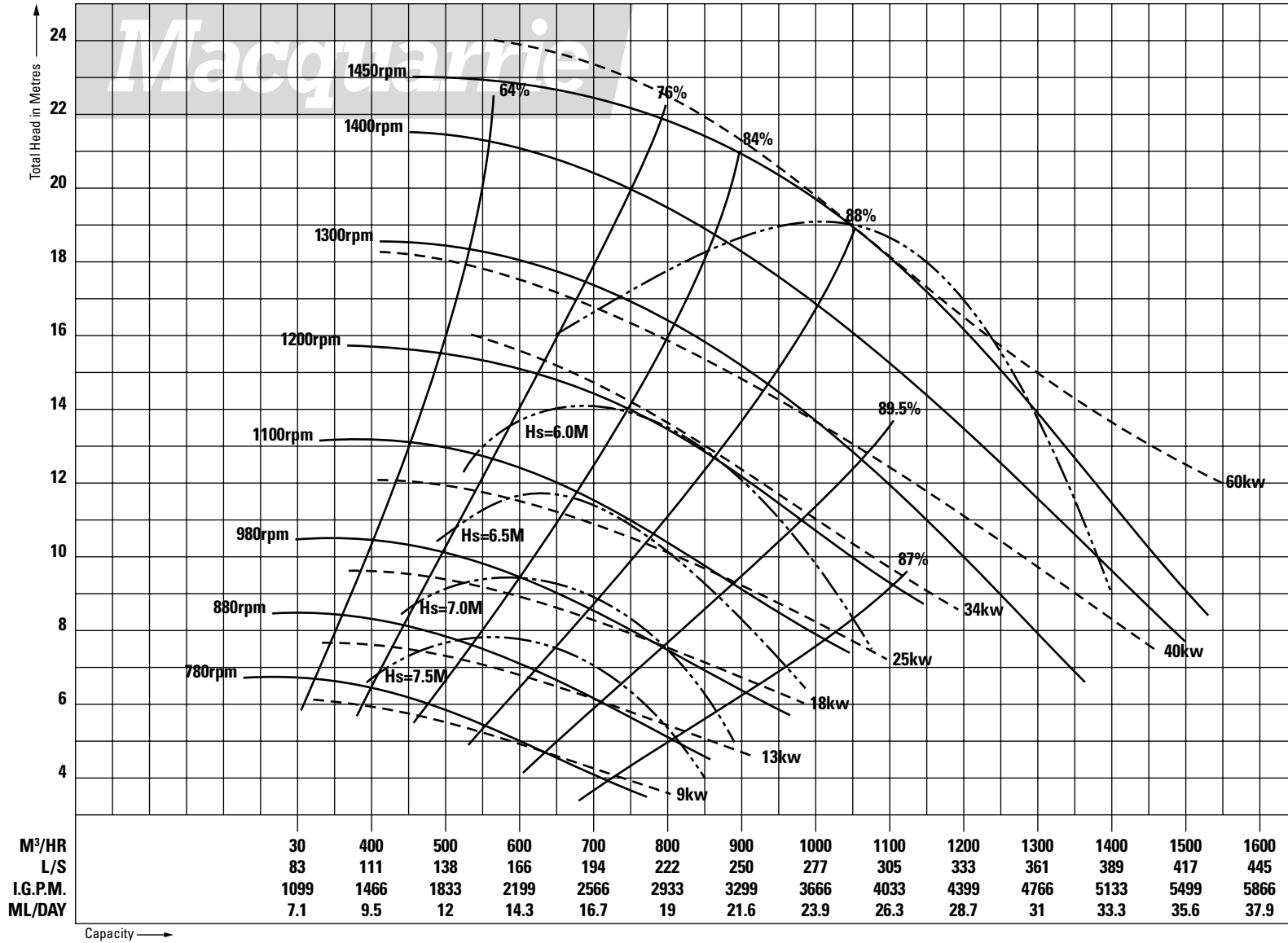


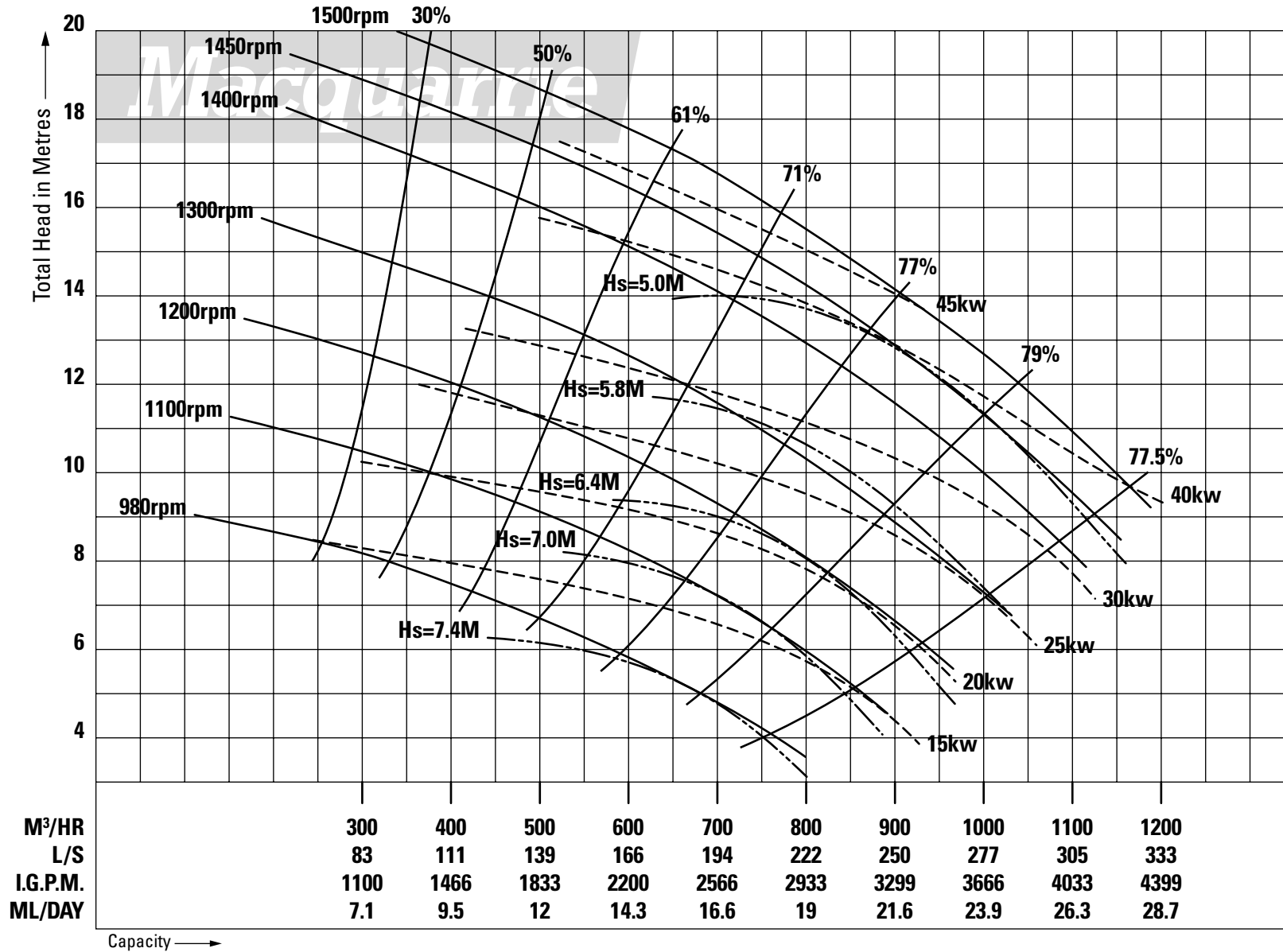


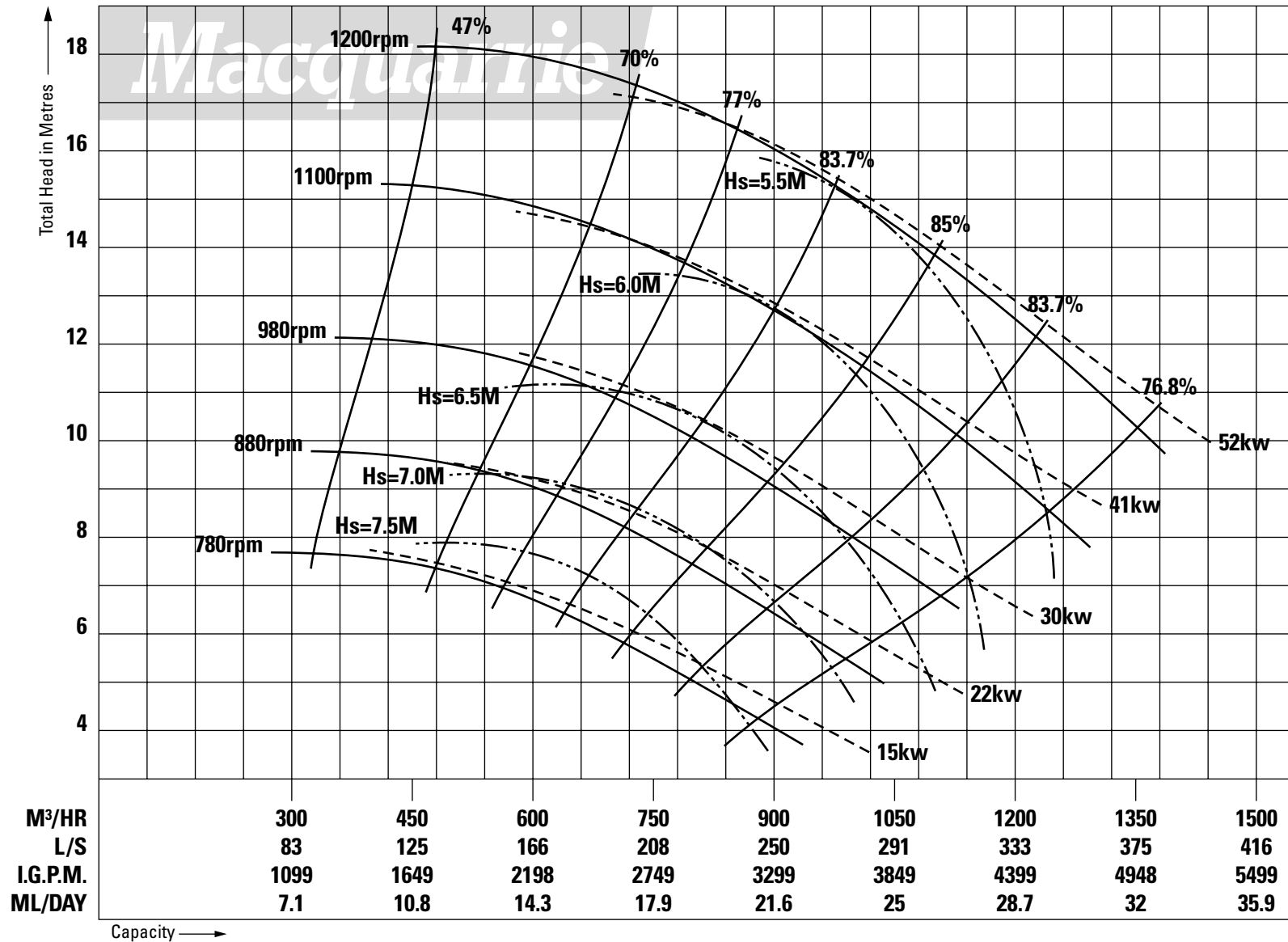


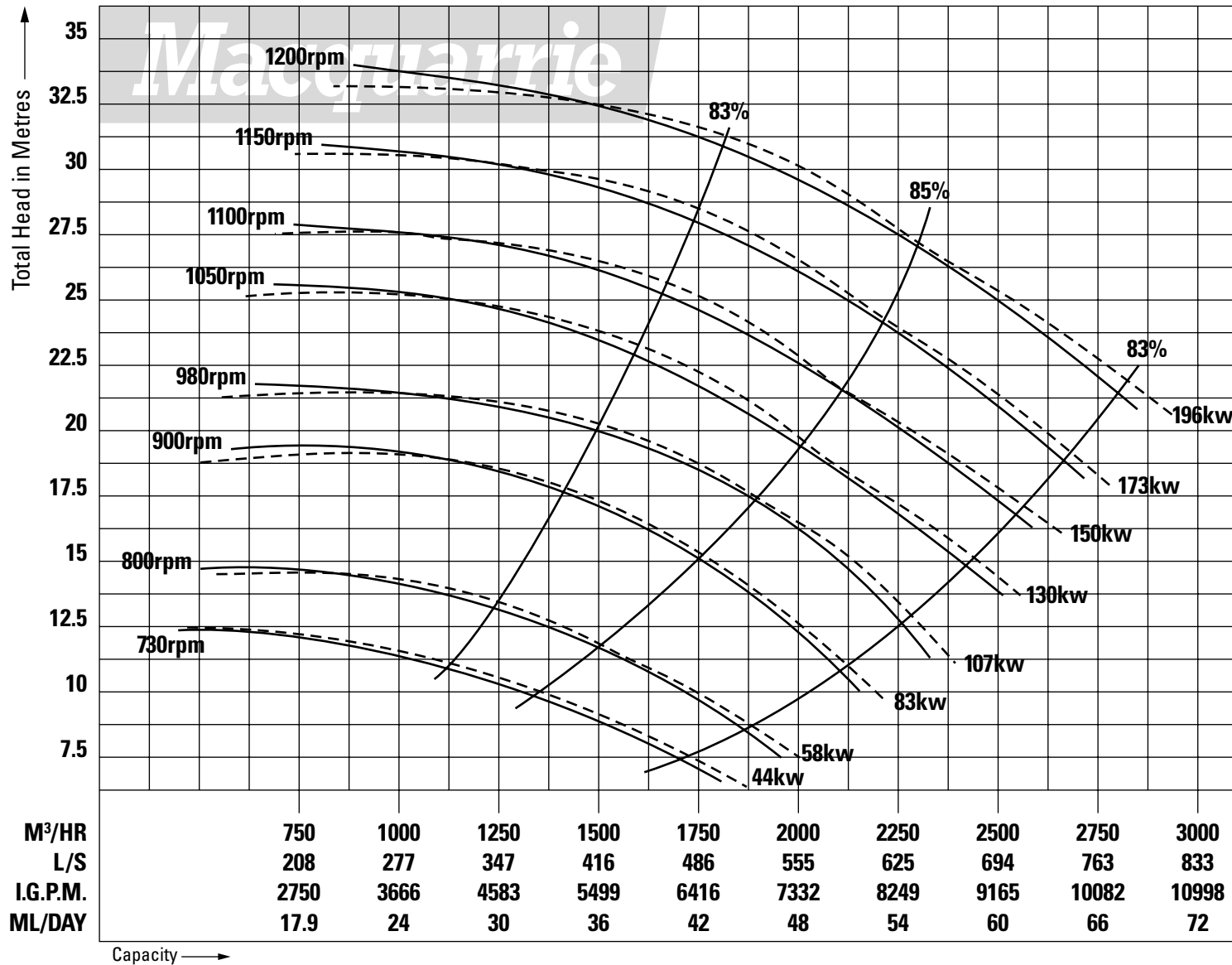


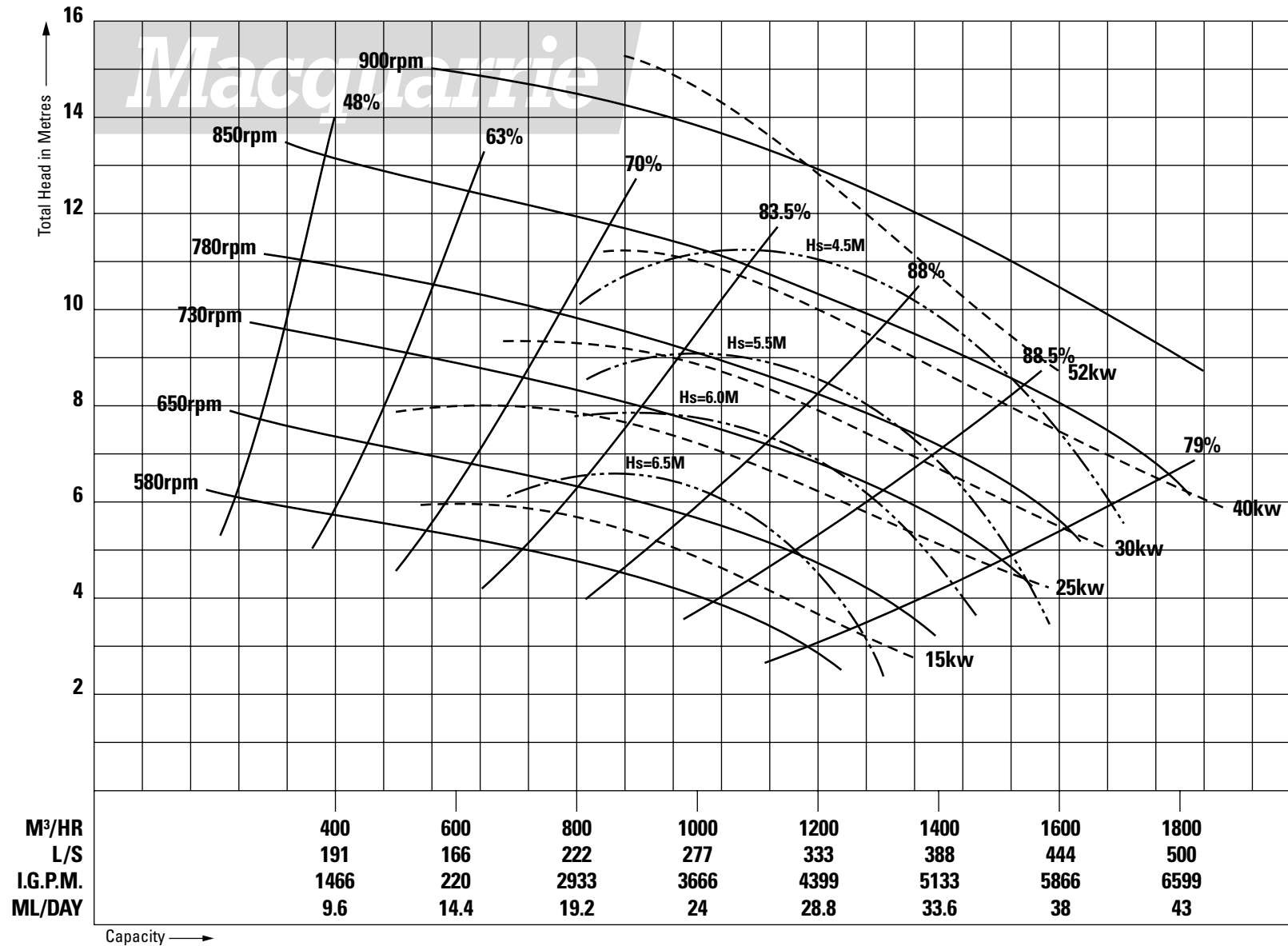


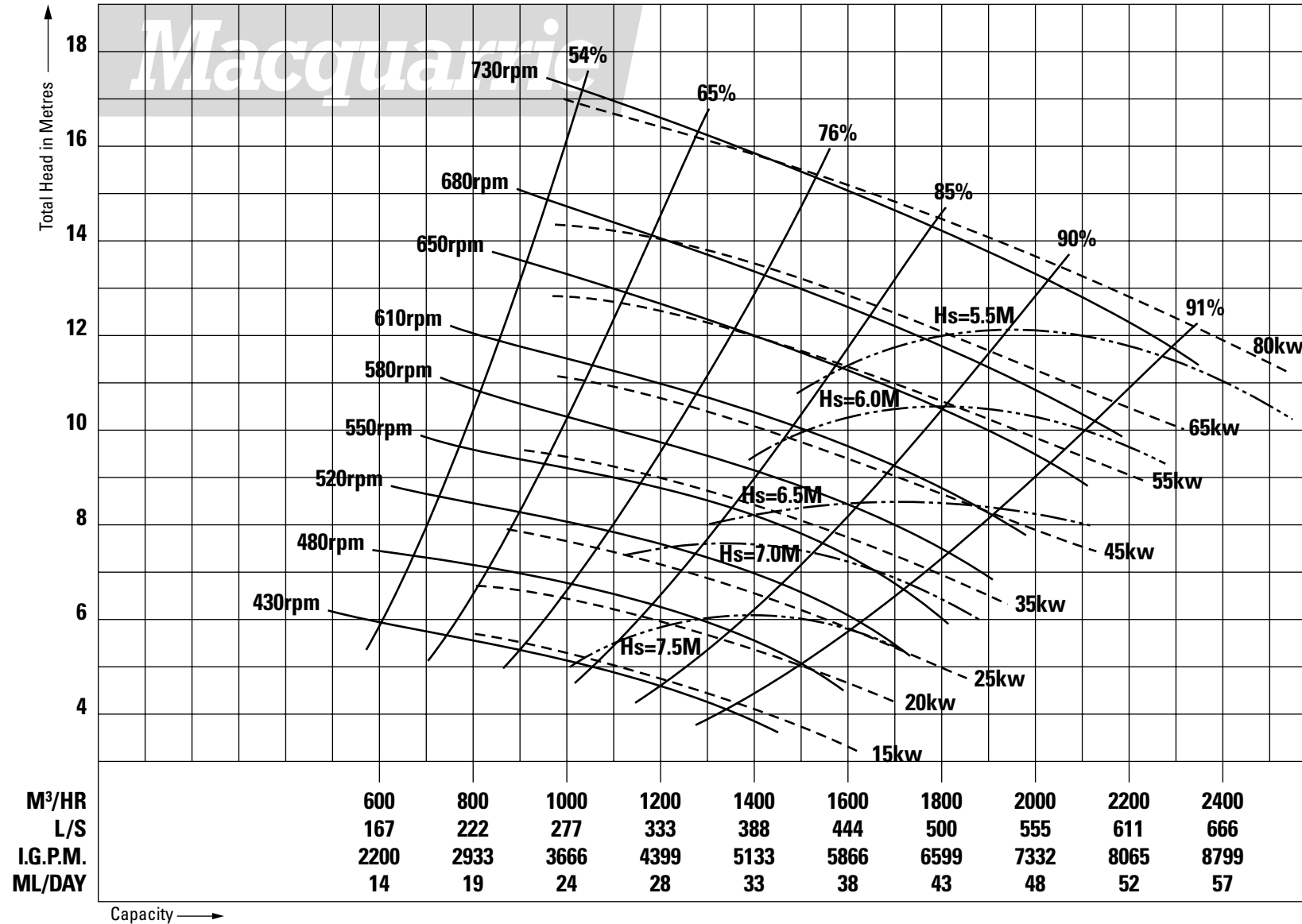


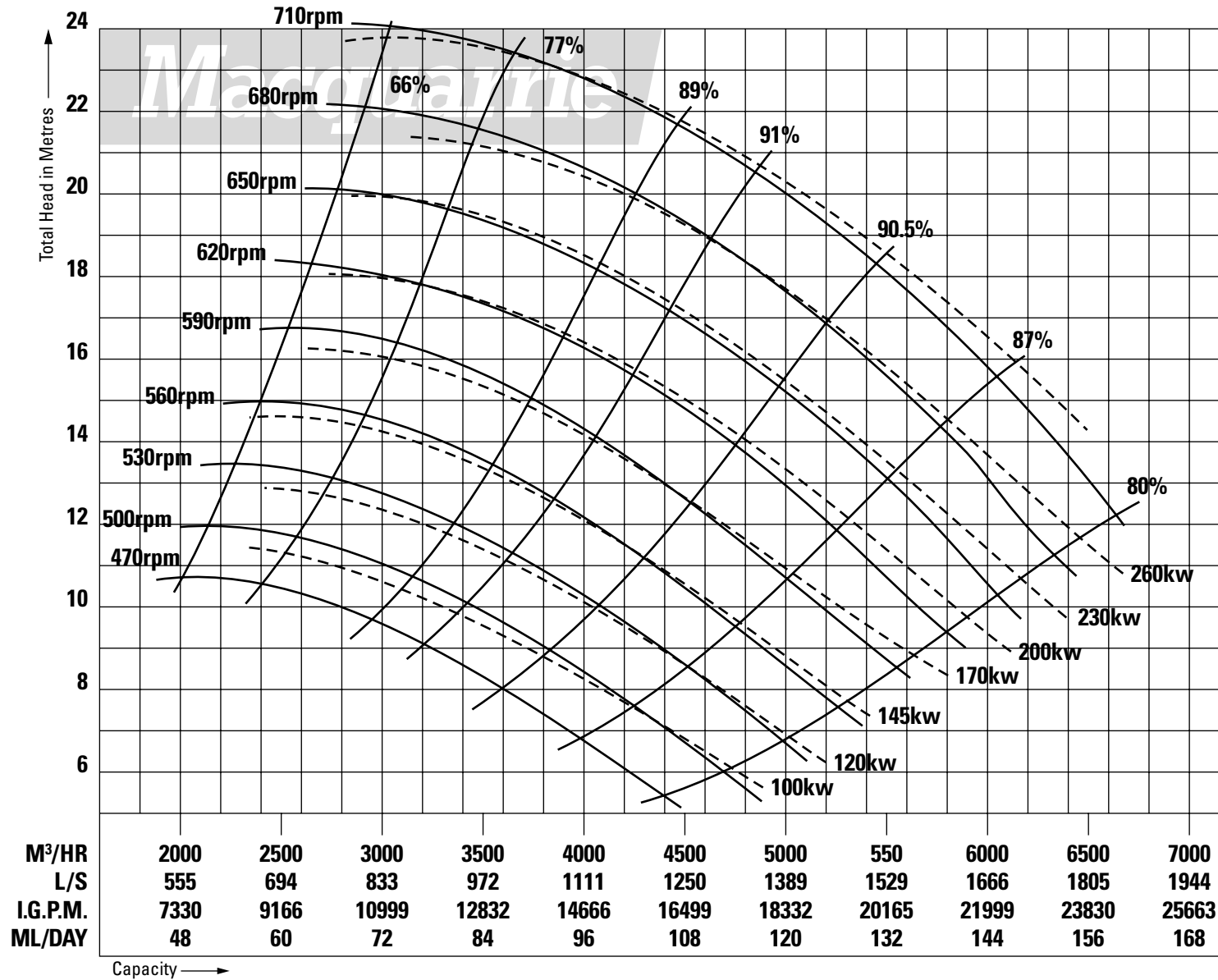


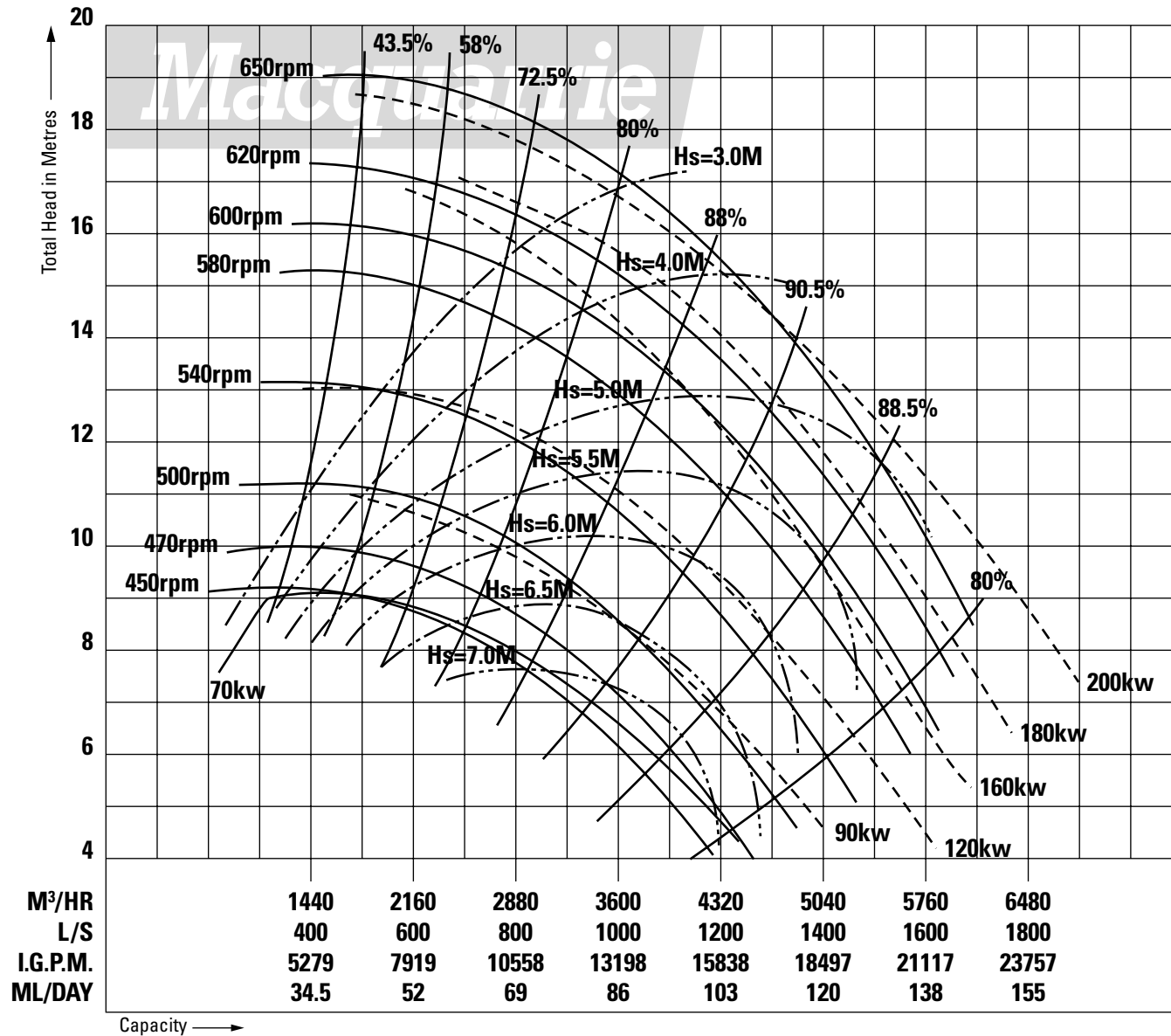


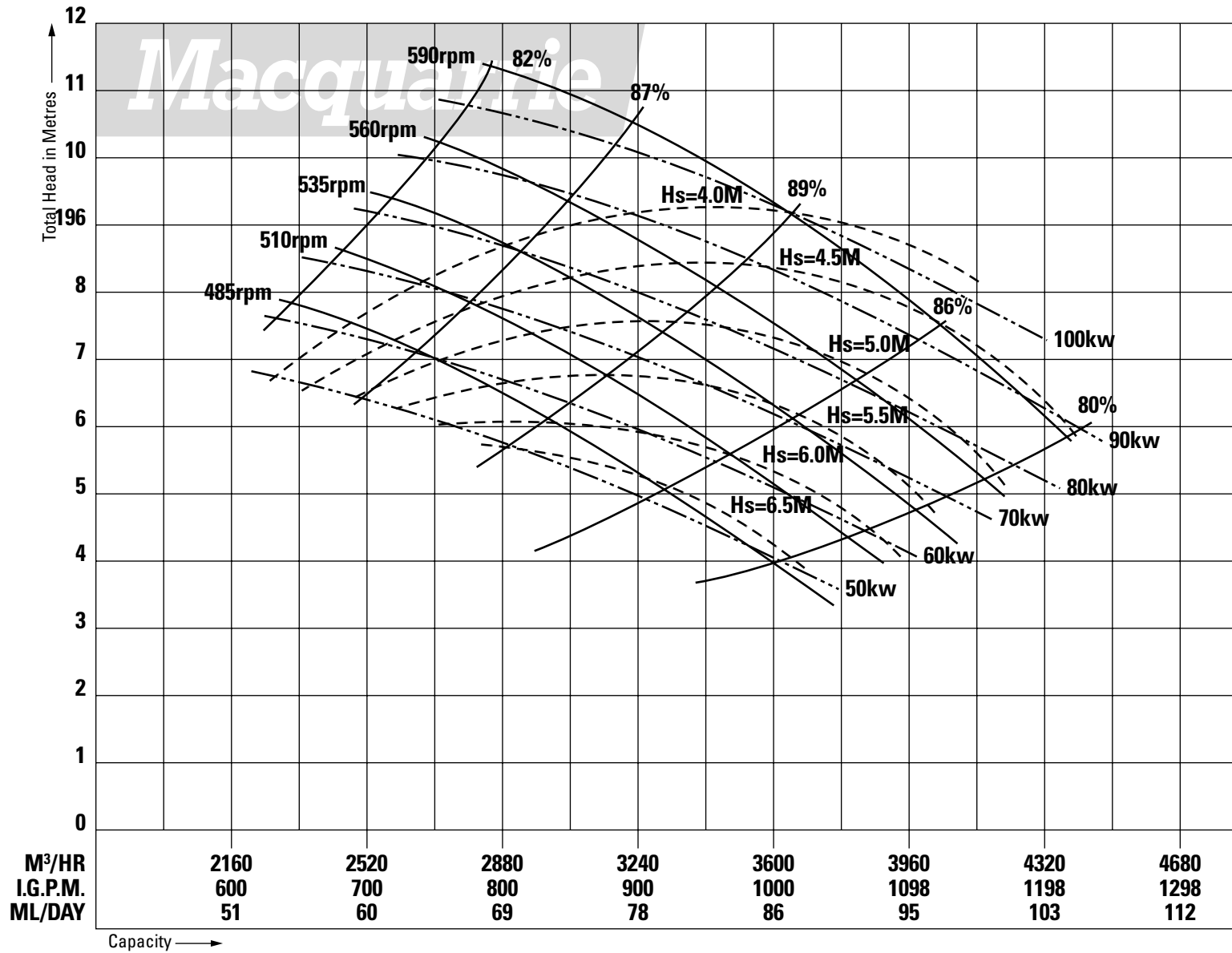


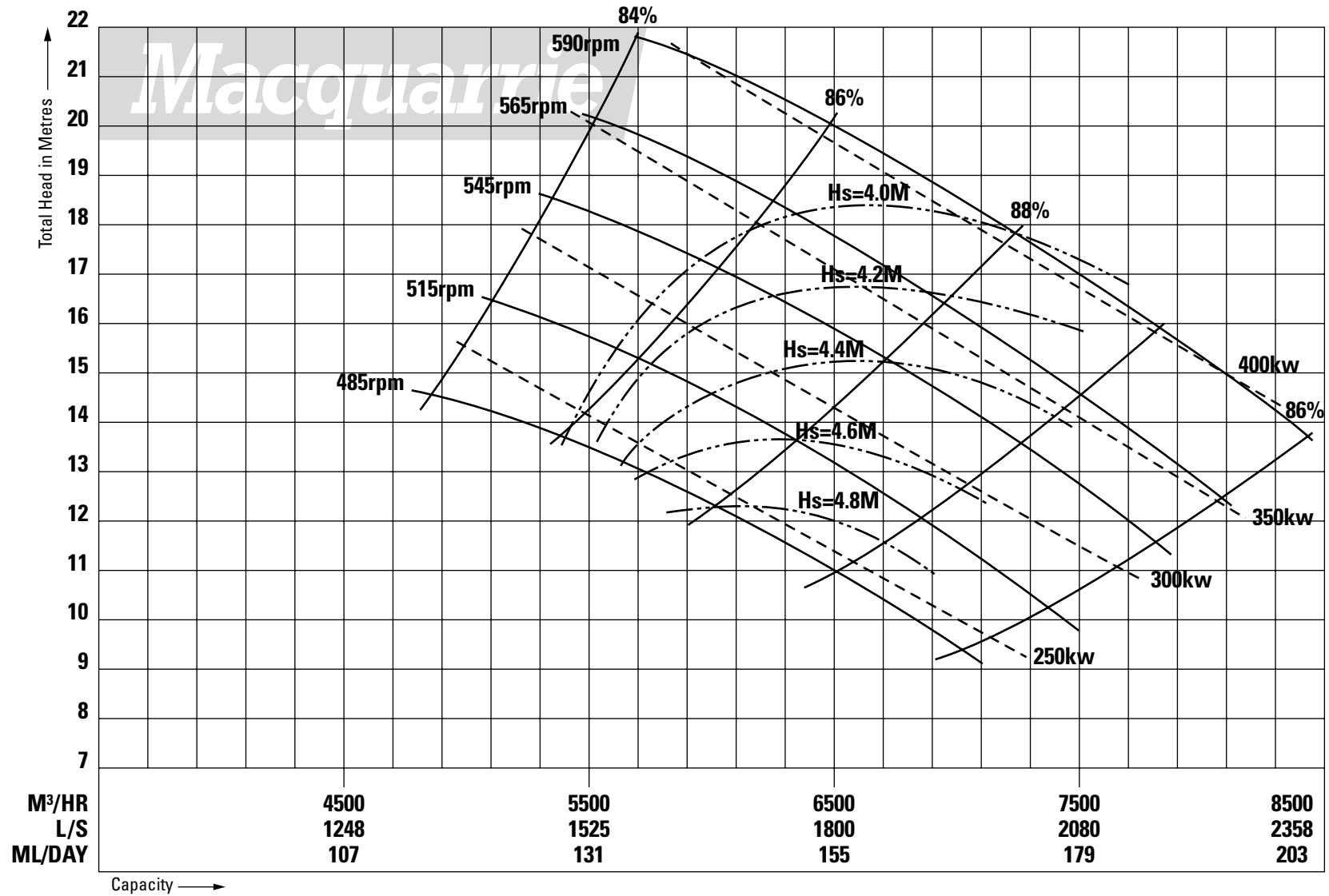










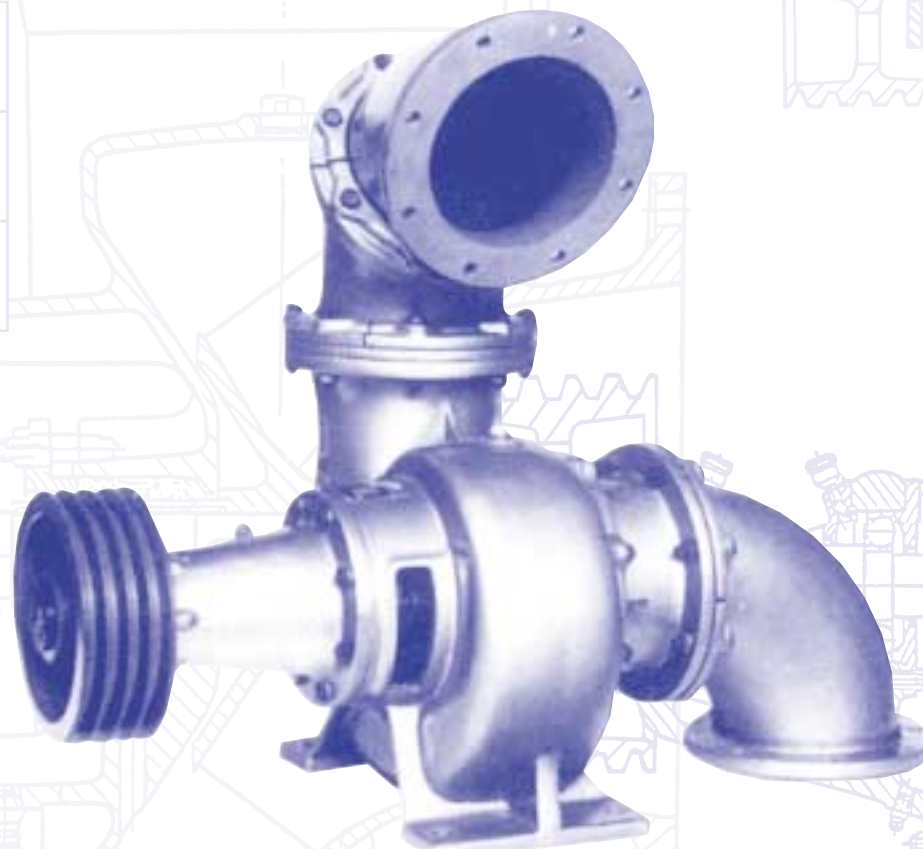


Wuxi HB and HBG Series Mixed Flow

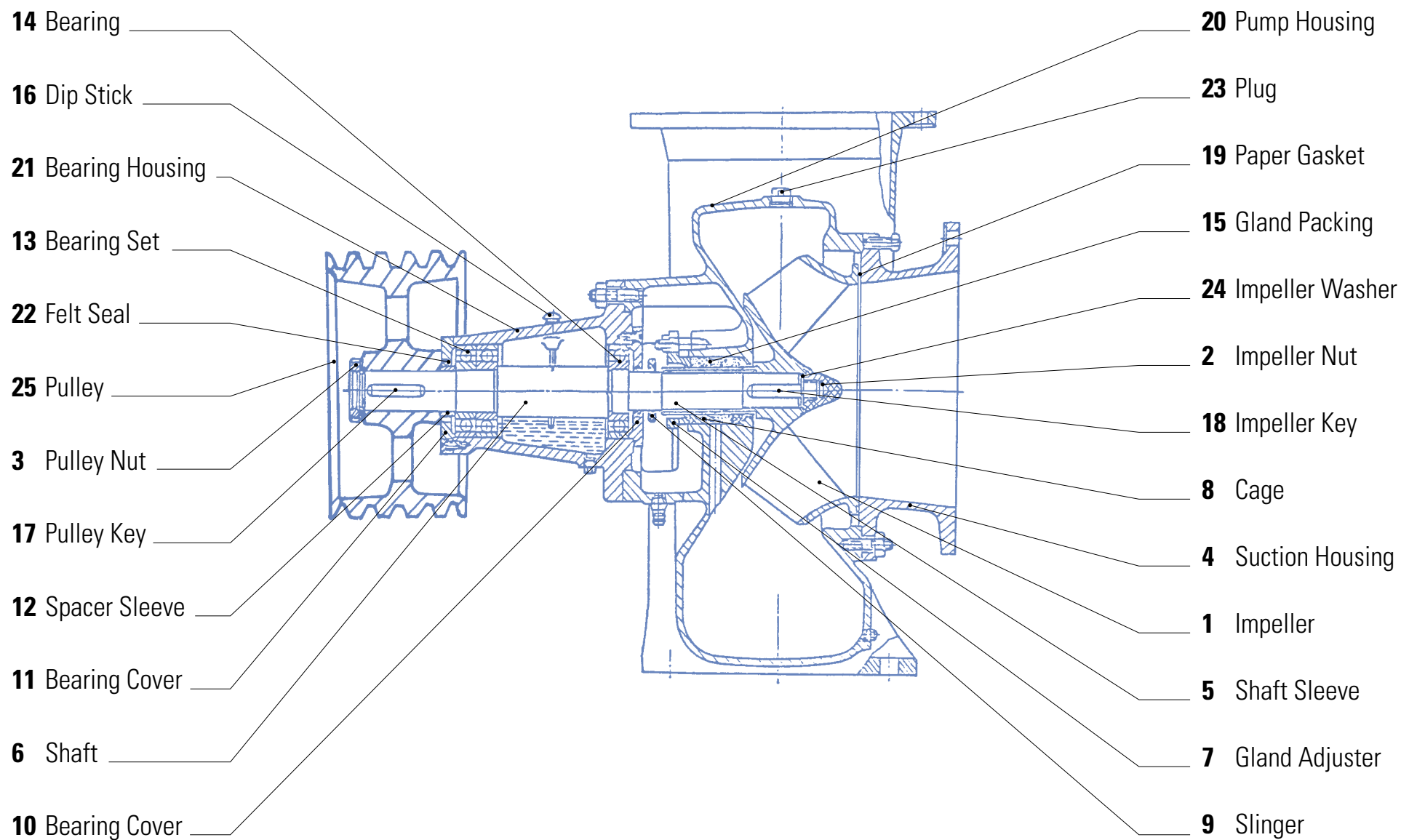
HB, HBC, HW 4" x 6"

HB, HBC, HW 14" x 26"

HBG 6" x 12"



Suit: HB, HBC, HW 4"-12" Mixed Flow Pumps



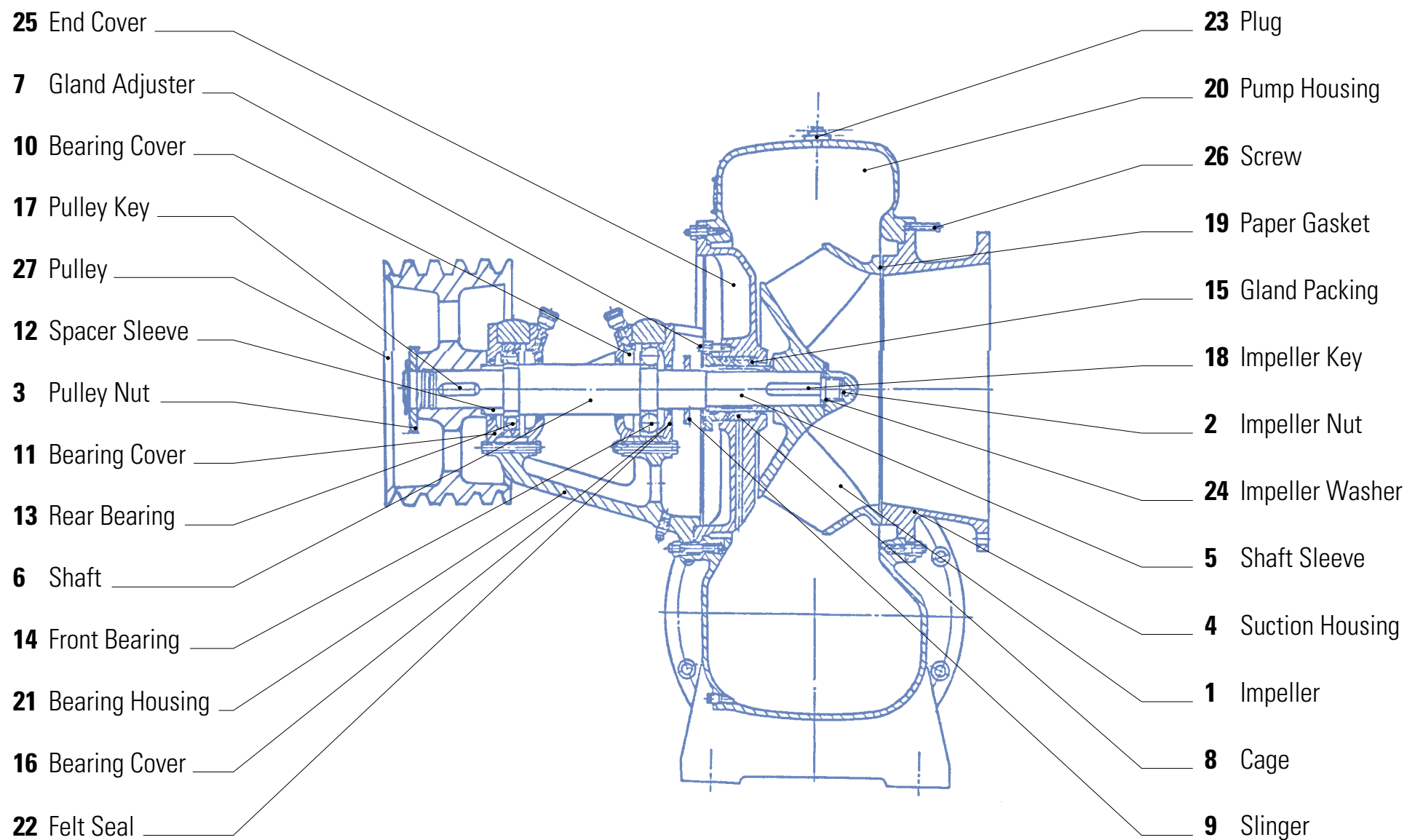
Wuxi HB and HBG Series Mixed Flow Parts List

Item	Description	Pump Book Ref	4HB-35 4HBC-34	6HB-35 6HBC-35	8HB-35 8HBC-35	10HB-30 10HBC-30	10HB-40 10HBC-40	12HB-40 (#)	12HBC-40 (#)	12HBC2-40 (#)	12HB-50 (#)
1	Impeller	7	15HB43501	15HB63501	15HB83501*	15HB10301*	15HB10401*	15HB12401	15HB12401	15HB12401	15HB12501
2	Impeller Nut	8	15HB43502	15HB63502	15HB83502	15HB10302	15HB10402	15HB12402	15HB12402	15HB12402	15HB12502
3	Pulley Nut		15HB43503	15HB63503	15HB83503	15HB10303	15HB10403	15HB12403	15HB12403	15HB12403	15HB12503
4	Suction Housing	9	15HB43504	15HB63504	15HB83504*	15HB10304*	15HB10404*	15HB12404	15HB12404	15HB12404	15HB12504
5	Shaft Sleeve	12	15HB43505	15HB63505	15HB83505	15HB10305	15HB10405	15HB12405	15HBC12405	15HBC12405	15HB12505
6	Shaft	16	15HB43506	15HB63506	15HB83506	15HB10306	15HB10406	15HB12406	15HBC12406	15HBC12406	15HB12506
7	Gland Adjustor	15	15HB43507	15HB63507	15HB83507	15HB10307	15HB10407	15HB12407	15HB12407	15HB12407	15HB12407
8	Cage	13	Not on 4HB	Not on 6HB	15HB83508	15HB10308	15HB10408	15HB12408	15HB12408	15HB12408	15HB12408
9	Slinger		15HB43509	15HB63509	15HB83509	15HB10309	15HB10409	15HB12409	15HB12409	15HB12409	15HB12409
10	Front Bearing Cover		15HB43510	15HB63510	15HB83510	15HB103010	15HB104010	15HB124010	15HB124010	15HB124010	15HB124010
11	Rear Bearing Cover	4	15HB43511	15HB63511	15HB83511	15HB103011	15HB104011	15HB124011	15HB124011	15HB124011	15HB124011
12	Spacer Sleeve	2	15HB43512	15HB63512	15HB83512	15HB103012	15HB104012	15HB124012	15HB124012	15HB124012	15HB124012
13	Bearing Set x 2	2	156306	156307	156308	156311	156311	156311	156311	156311	156311
14	Bearing	3	156306	156307	156308	156311	156311	156311	156311	156311	156311
15	Gland Packing	14	15HB43515	15HB63515	15HB83515	15HB103015	15HB104015	15HB124015	15HB124015	15HB124015	15HB124015
16	Dip Stick		15HB43516	15HB63516	15HB83516	15HB103016	15HB104016	15HB124016	15HB124016	15HB124016	15HB124016
17	Pulley Key		15HB43517	15HB63517	15HB83517	15HB103017	15HB104017	15HB124017	15HB124017	15HB124017	15HB124017
18	Impeller Key		15HB43518	15HB63518	15HB83518	15HB103018	15HB104018	15HB124018	15HB124018	15HB124018	15HB124018
19	Shim-Paper	11	15HB43519	15HB63519	15HB83519	15HB103019	15HB104019	15HB124019	15HB124019	15HB124019	15HB124019
20	Pump Housing	5	15HB43520	15HB63520	15HB83520	15HB103020	15HB104020	15HB124020	15HB124020	15HB124020	15HB124020
21	Bearing Housing	17	15HB43521	15HB63521	15HB83521	15HB103021	15HB104021	15HB124021	15HB124021	15HB124021	15HB124021
22	Felt Seal		15HB43522	15HB63522	15HB83522	15HB103022	15HB104022	15HB124022	15HB124022	15HB124022	15HB124022
23	Plug	6	15HB43523	15HB63523	15HB83523	15HB103023	15HB104023	15HB124023	15HB124023	15HB124023	15HB124023
24	Impeller Washer	10	15HB43524	15HB63524	15HB83524	15HB103024	15HB104024	15HB124024	15HB124024	15HB124024	15HB124024
25	Pulley	1	15HB43525	15HB63525	15HB83525	15HB103025	15HB104025	15HB124025	15HB124025	15HB124025	15HB124025
26	Bend		15HB43526	15HB63526	15HB83526	15HB103026	15HB104026	15HB124026	15HB124026	15HB124026	15HB124026
27	Clamp		15HB43527	15HB63527	15HB83527	15HB103027	15HB104027	15HB124027	15HB124027	15HB124027	15HB124027

(#) Shaft and sleeves for 12HB, 12HBC, 12HBC2 pumps are all different, but any shaft can be used for any pump provided the shaft is accompanied with its own sleeve.

(*) There are two types of impeller and suction housings. A description from your customer may be required.

Suit: HB, HBC, HW 14"-26" Mixed Flow Pumps

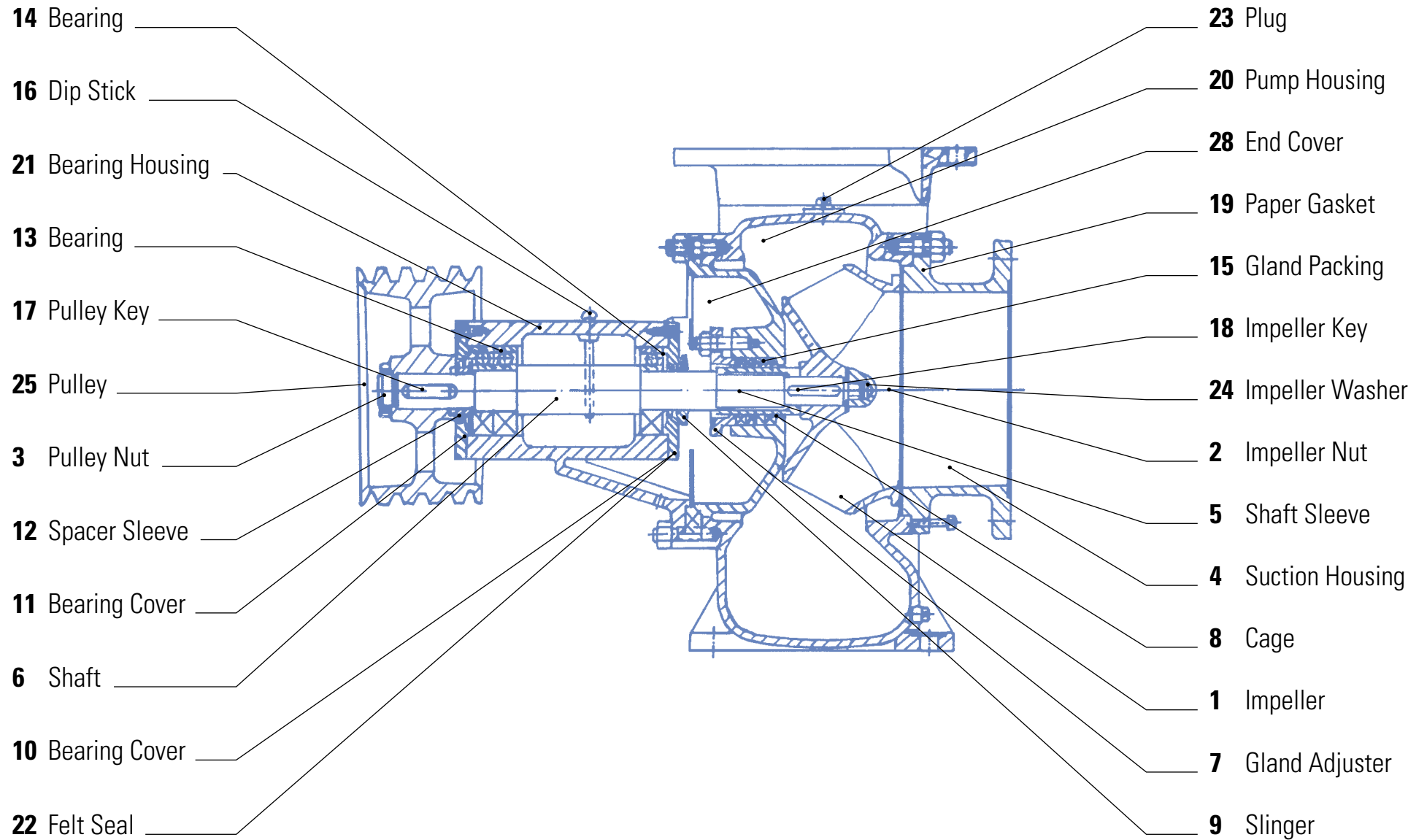


Wuxi HB and HBG Series Mixed Flow Parts List

Item	Description	Book Ref	14HB-40
1	Impeller	7	15HB14401
2	Impeller Nut	8	15HB12402
3	Pulley Nut		15HB12403
4	Suction Housing	9	15HB14404
5	Shaft Sleeve	12	15HB14405
6	Shaft	16	15HB14406
7	Gland Adjustor	15	15HB12407
8	Cage	13	15HB12408
9	Slinger		15HB14409
10	Front Bearing Cover		15HB124010
11	Rear Bearing Cover	4	15HB124011
12	Spacer Sleeve	2	15HB124012
13	Bearing Set x 2	2	156311
14	Bearing	3	156311
15	Gland Packing	14	15HB144015
16	Dip Stick		15HB144016
17	Pulley Key		15HB144017
18	Impeller Key		15HB144018
19	Shim-Paper	11	15HB144019
20	Pump Housing	5	15HB144020
21	Bearing Housing	17	15HB144021
22	Felt Seal		15HB144022
23	Plug	6	15HB144023
24	Impeller Washer	10	15HB124024
25	Pulley	1	15HB144025
26	Bend		15HB144026
27	Clamp		15HB144027

Item	Description	Book Ref	16HB-30	16HB-40	20HB-40	26HB-40
1	Impeller	9	15HB16301	15HB16401	15HB20401	15HB26401
2	Impeller Nut	15	15HB16402	15HB16402	15HB20402	15HB26402
3	Pulley Nut		15HB16403	15HB16403	15HB20403	15HB26403
4	Suction Housing	12	15HB16304	15HB16404	15HB20404	15HB26404
5	Shaft Sleeve	13	15HB16305	15HB16405	15HB20405	15HB26405
6	Shaft	5	15HB16303	15HB16406	15HB20406	15HB26406
7	Gland Adjustor	19	15HB16407	15HB16407	15HB20407	15HB26407
8	Cage	18	15HB16408	15HB16408	15HB20408	15HB26408
9	Slinger		15HB16409	15HB16409	15HB20409	15HB26409
10	Bearing Cover	4	15HB164010	15HB164010	15HB204010	15HB264010
11	Bearing Cover	4	15HB164011	15HB164011	15HB204011	15HB264011
12	Spacer Sleeve	2	15HB164012	15HB164012	15HB204012	15HB264012
13	Rear Bearing	6	156312	156312	156314	7322BEP
14	Front Bearing	6	156312	156312	156314	7322BEP
15	Gland Packing	17	15HB164015	15HB164015	15HB204015	15HB264015
16	Bearing Cover		15HB164016	15HB164016	15HB204016	15HB264016
17	Key		15HB164017	15HB164017	15HB204017	15HB264017
18	Impeller Key		15HB164018	15HB164018	15HB204018	15HB264018
19	Shim	16	15HB164019	15HB164019	15HB204019	15HB264019
20	Pump Housing	10	15HB164020	15HB164020	15HB204020	15HB264020
21	Bearing Housing	3	15HB164021	15HB164021	15HB204021	15HB264021
22	Felt Seal		15HB164022	15HB164022	15HB204022	15HB264022
23	Plug	8	15HB164023	15HB164023	15HB204023	15HB264023
24	Impeller Washer	14	15HB164024	15HB164024	15HB204024	15HB264024
25	End Cover	7	15HB164025	15HB164025	15HB204025	15HB264025
26	Screw	11	15HB164026	15HB164026	15HB204026	15HB264026
27	Pulley	1	15HB164027	15HB164027	15HB204027	15HB264027
28	Bend		15HB164028	15HB164028	15HB204028	15HB264028

Suit: HBG, 6"-12" Mixed Flow Pumps



Wuxi HB and HBG Series Mixed Flow Parts List

Item	Description	Book Ref	6HBG-35	8HBG-35	10HBG-30	10HBG-40	12HBG-40
1	Impeller	9	15HB63501	15HB83501	15HB10301	15HB10401	15HB12401
2	Impeller Nut	15	15HB63502	15HB83502	15HB10302	15HB10402	15HB12402
3	Pulley Nut		15HB63503	15HB83503	15HB10303	15HB10403	15HB12403
4	Suction Housing	12	15HB63504	15HB83504	15HB10304	15HB10404	15HB12404
5	Shaft Sleeve	13	15HB63505	15HB83505	15HB10305	15HB10405	15HB12405
6	Shaft	5	15HB63506	15HB83506	15HB10306	15HB10406	15HB12406
7	Gland Adjustor	19	15HB63507	15HB83507	15HB10307	15HB10407	15HB12407
8	Cage	18	Not on 6HBG	Not on 8HB	15HB10308	15HB10408	15HB12408
9	Slinger		15HB63509	15HB83509	15HB10309	15HB10409	15HB12409
10	Bearing Cover	4	15HBG635010	15HBG83510	15HBG103010	15HBG104010	15HBG124010
11	Bearing Cover	4	15HBG635011	15HBG83511	15HBG103011	15HBG104011	15HBG124011
12	Spacer Sleeve	2	15HB63512	15HB83512	15HB103012	15HB104012	15HB124012
13	Rear Bearing	6	156307	156308	156311	156311	156311
14	Front Bearing	6	156307	156308	156311	156311	156311
15	Gland Packing	17	15HB63515	15HB83515	15HB103015	15HB104015	15HB124015
16	Bearing Cover		15HB63516	15HB83516	15HB103016	15HB104016	15HB124016
17	Key		15HB63517	15HB83517	15HB103017	15HB104017	15HB124017
18	Impeller Key		15HB63518	15HB83518	15HB103018	15HB104018	15HB124018
19	Shim	16	15HB63519	15HB83519	15HB103019	15HB104019	15HB124019
20	Pump Housing	10	15HBG63520	15HBG83520	15HBG103020	15HBG104020	15HBG124020
21	Bearing Housing	3	15HBG63521	15HBG83521	15HBG103021	15HBG104021	15HBG124021
22	Felt Seal		15HB63522	15HB83522	15HB103022	15HB104022	15HB124022
23	Plug	8	15HB63523	15HB83523	15HB103023	15HB104023	15HB124023
24	Impeller Washer	14	15HB63524	15HB83524	15HB103024	15HB104024	15HB124024
25	End Cover	7	15HB63525	15HB83525	15HB103025	15HB104025	15HB124025
26	Screw	11	15HB63526	15HB83526	15HB103026	15HB104026	15HB124026
27	Pulley	1	15HB63527	15HB83527	15HB103027	15HB104027	15HB124027
28	Bend		15HB63528	15HB83527	15HBG103028	15HBG104028	15HBG124028

Axial Flow Curves

2700rpm

Axial Flow MC Series

150MC 4" x 6"

200MC 8" x 8"

250MC 8" x 10"

300MC 10" x 12"

350MC 12" x 14"



80%

81%

Hs=3.5M

80%

2.5kw

Hs=4.5M

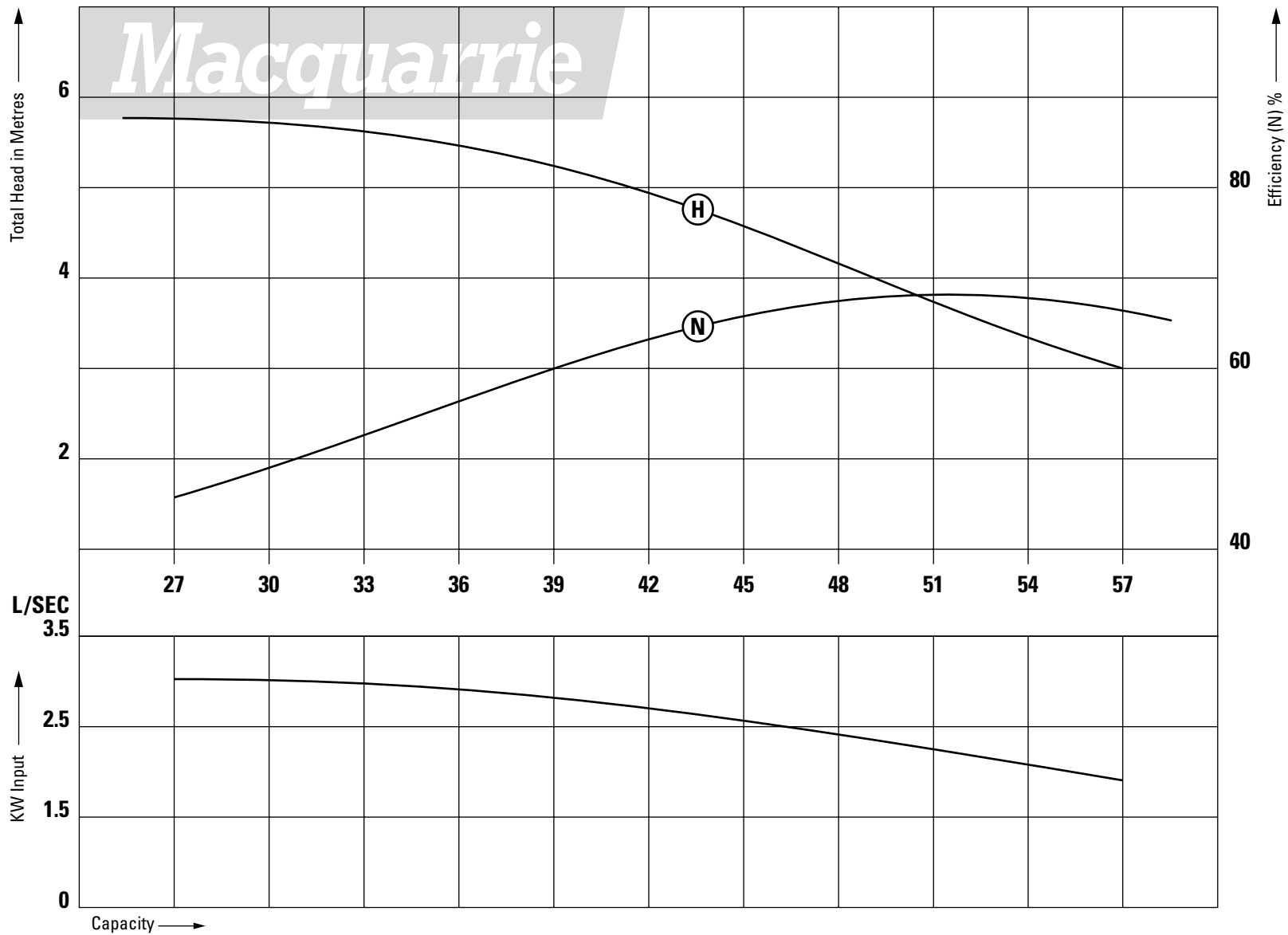
2.0kw

0rpm

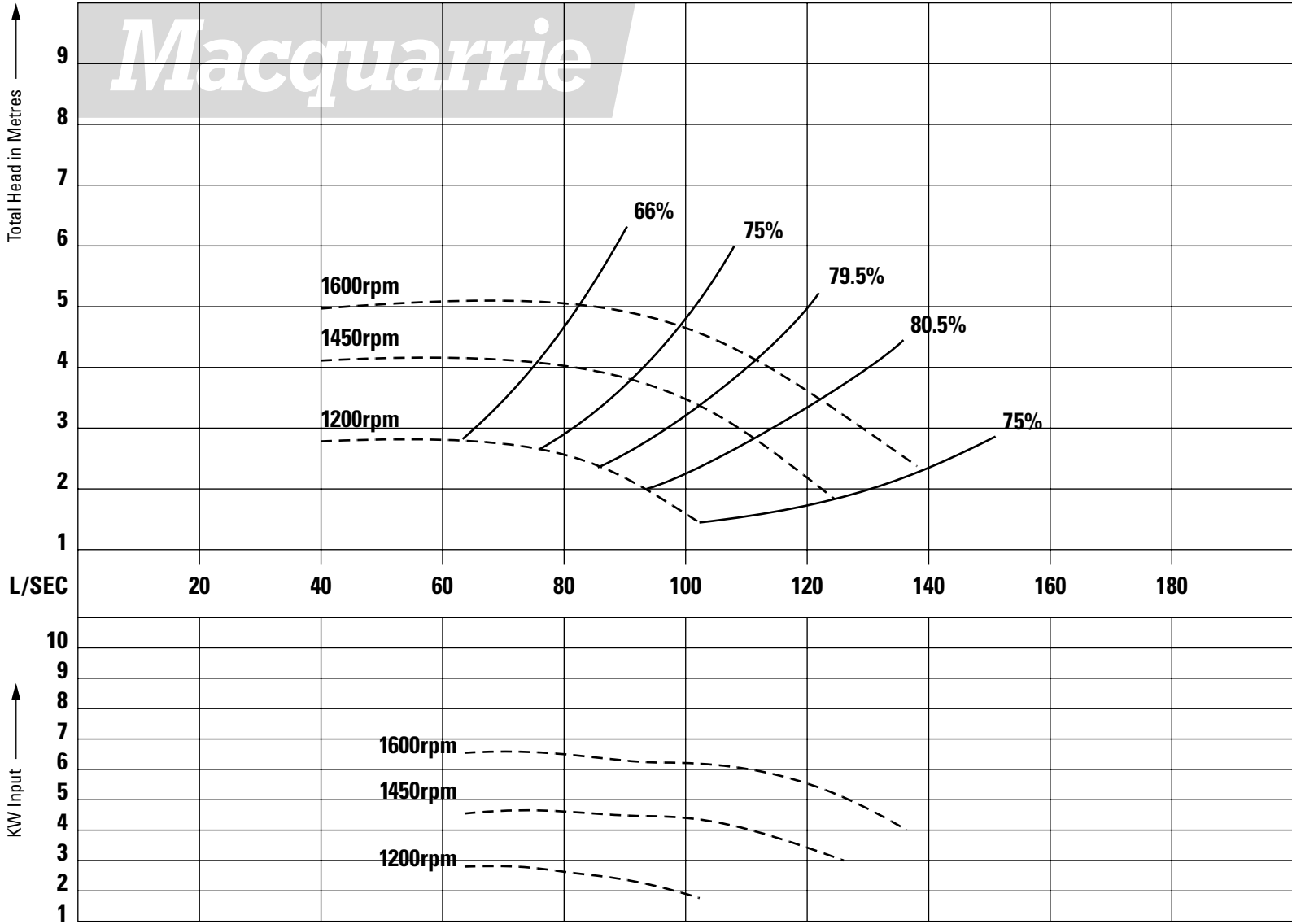
Hs=5.0M

1.5kw

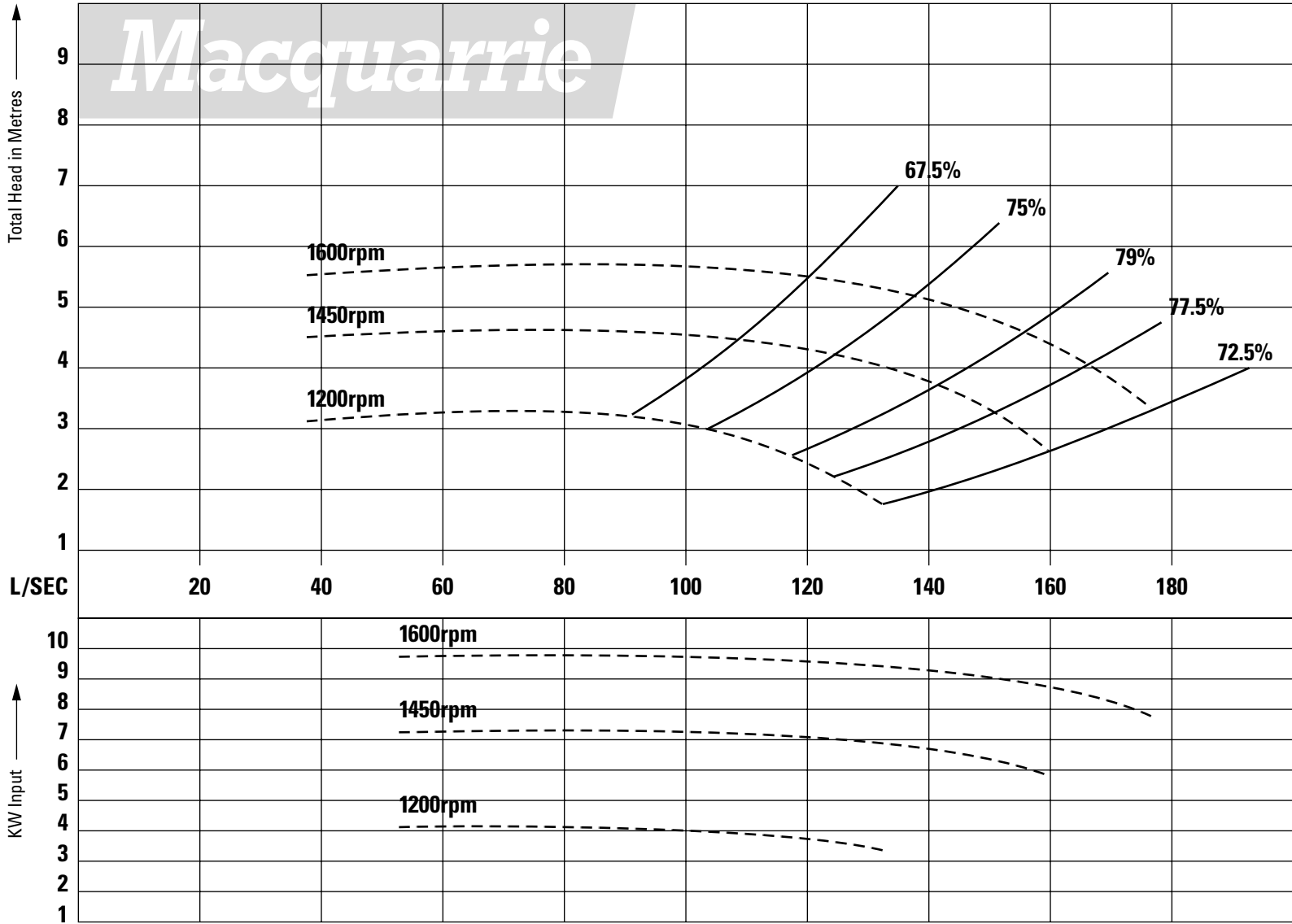
Hs=5.5M

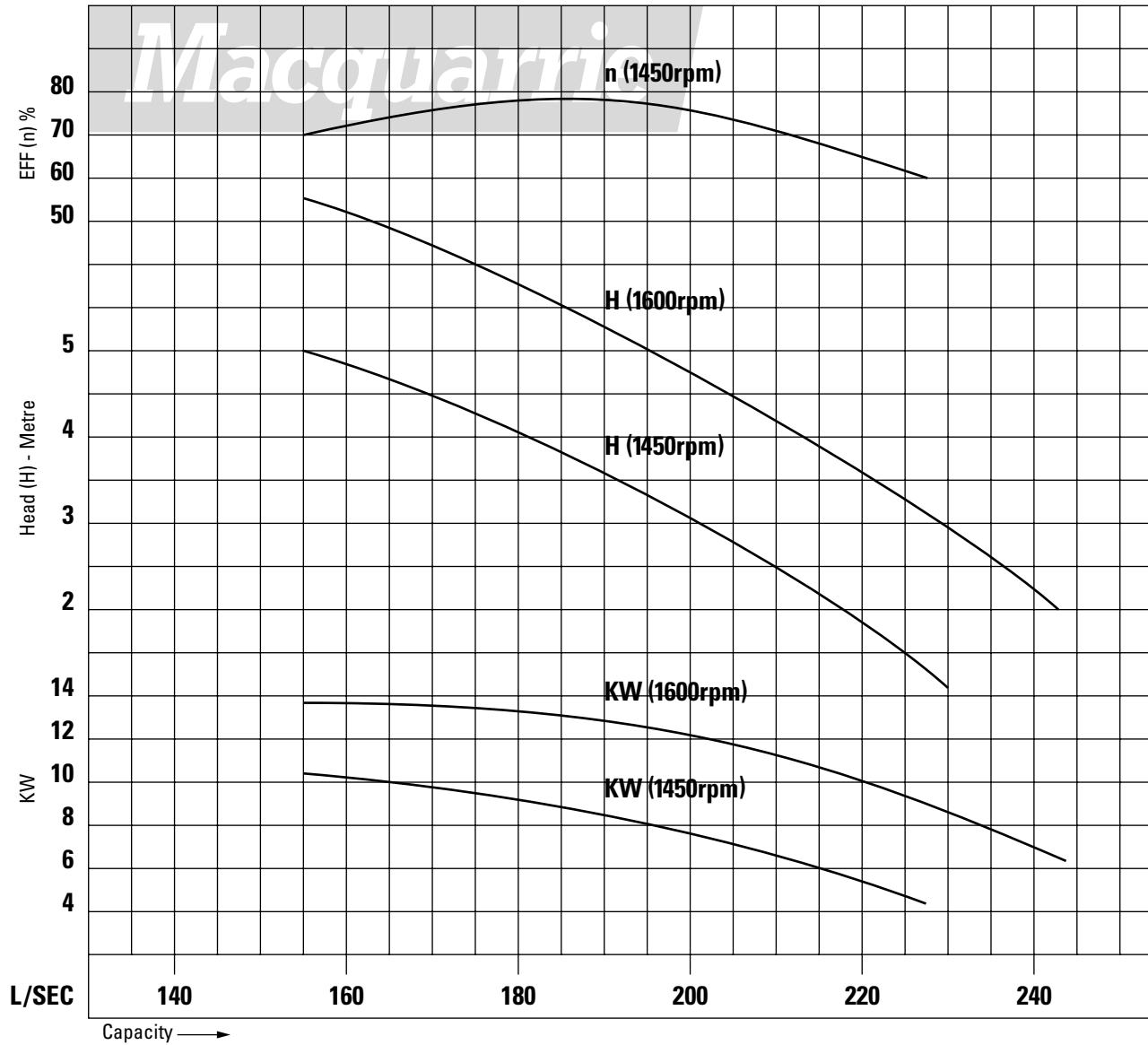


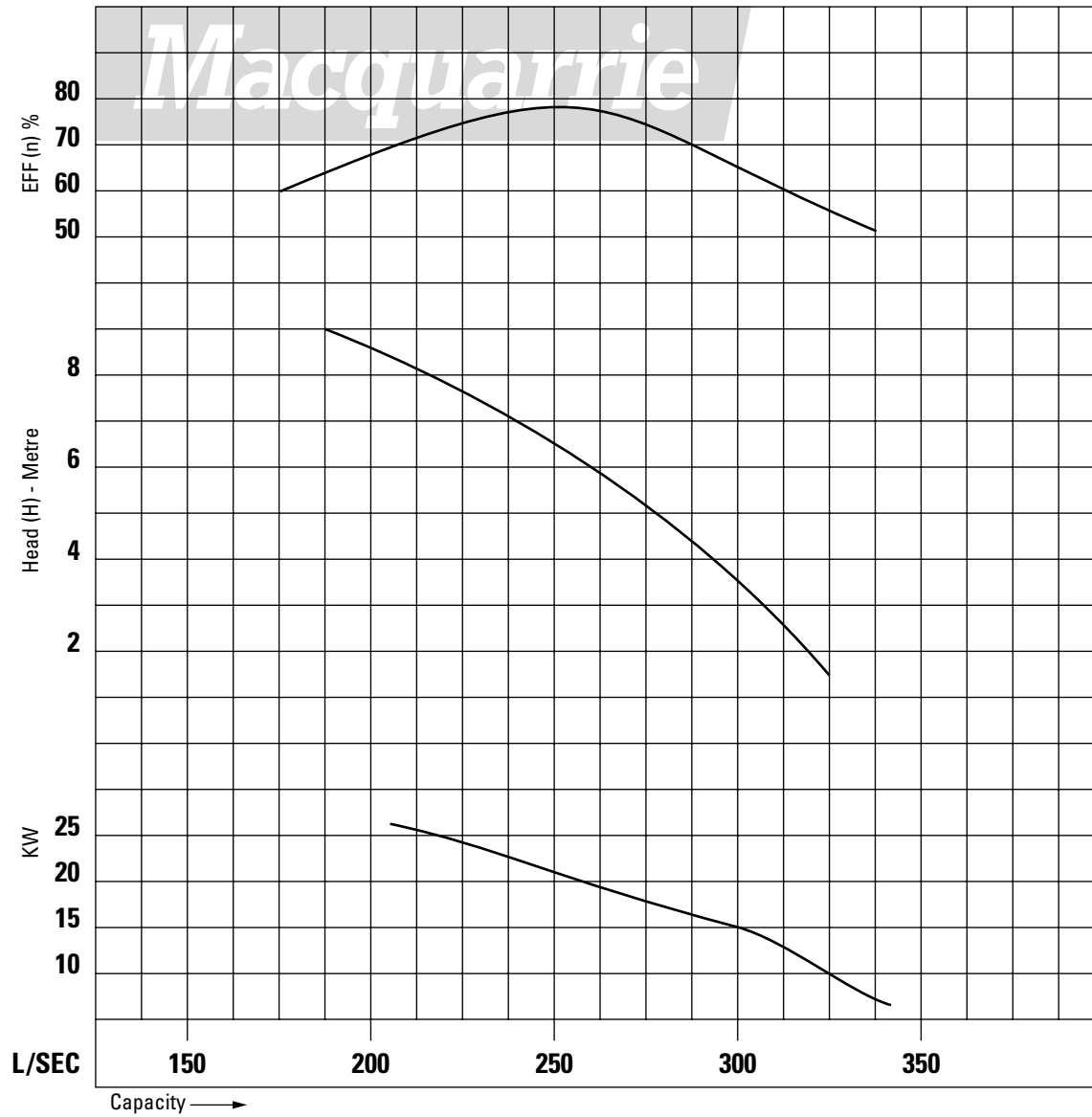
Suit: 200MC AXIAL FLOW PUMP 8" x 8"



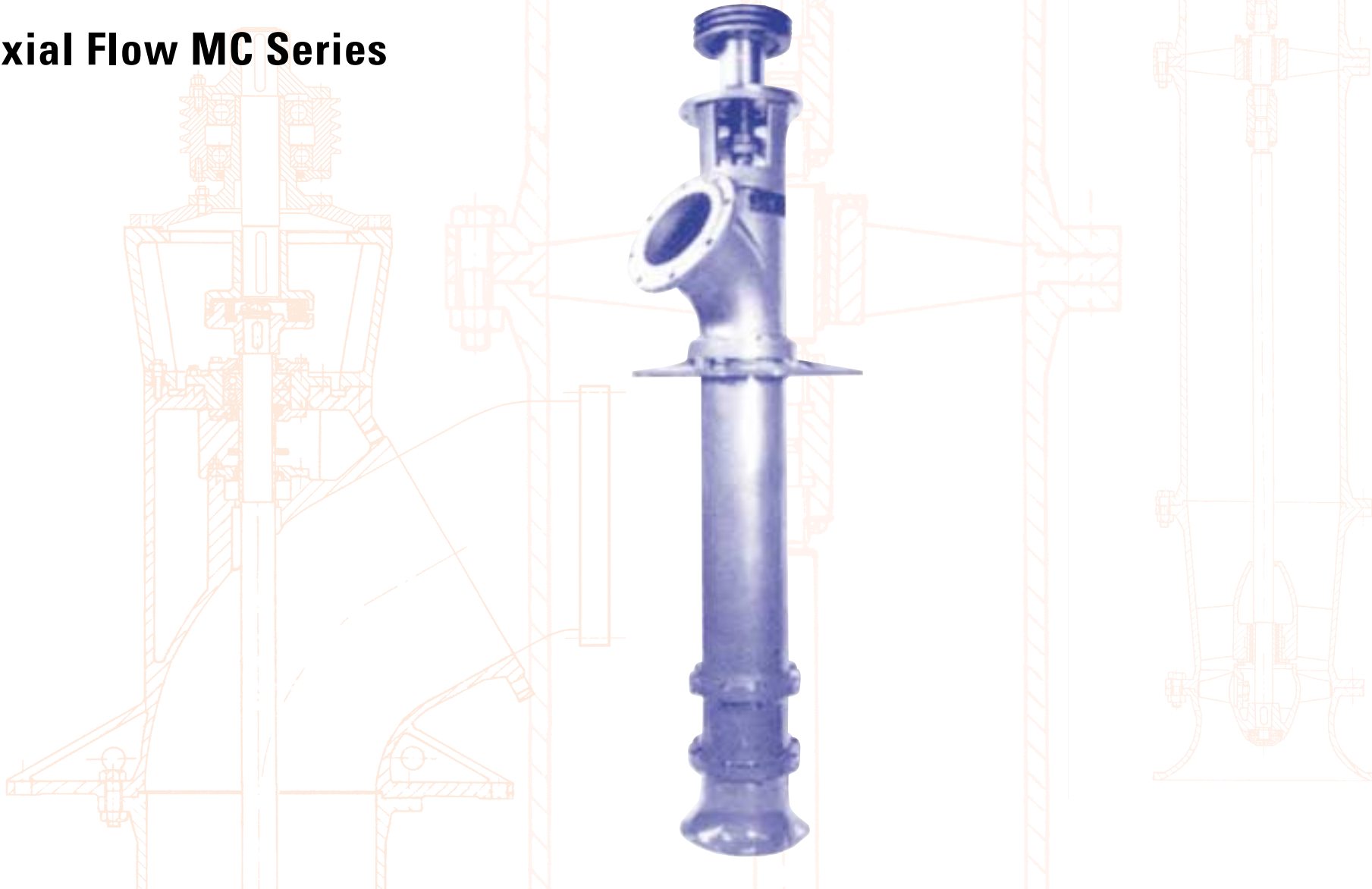
Suit: 250MC AXIAL FLOW PUMP 8" x 10"



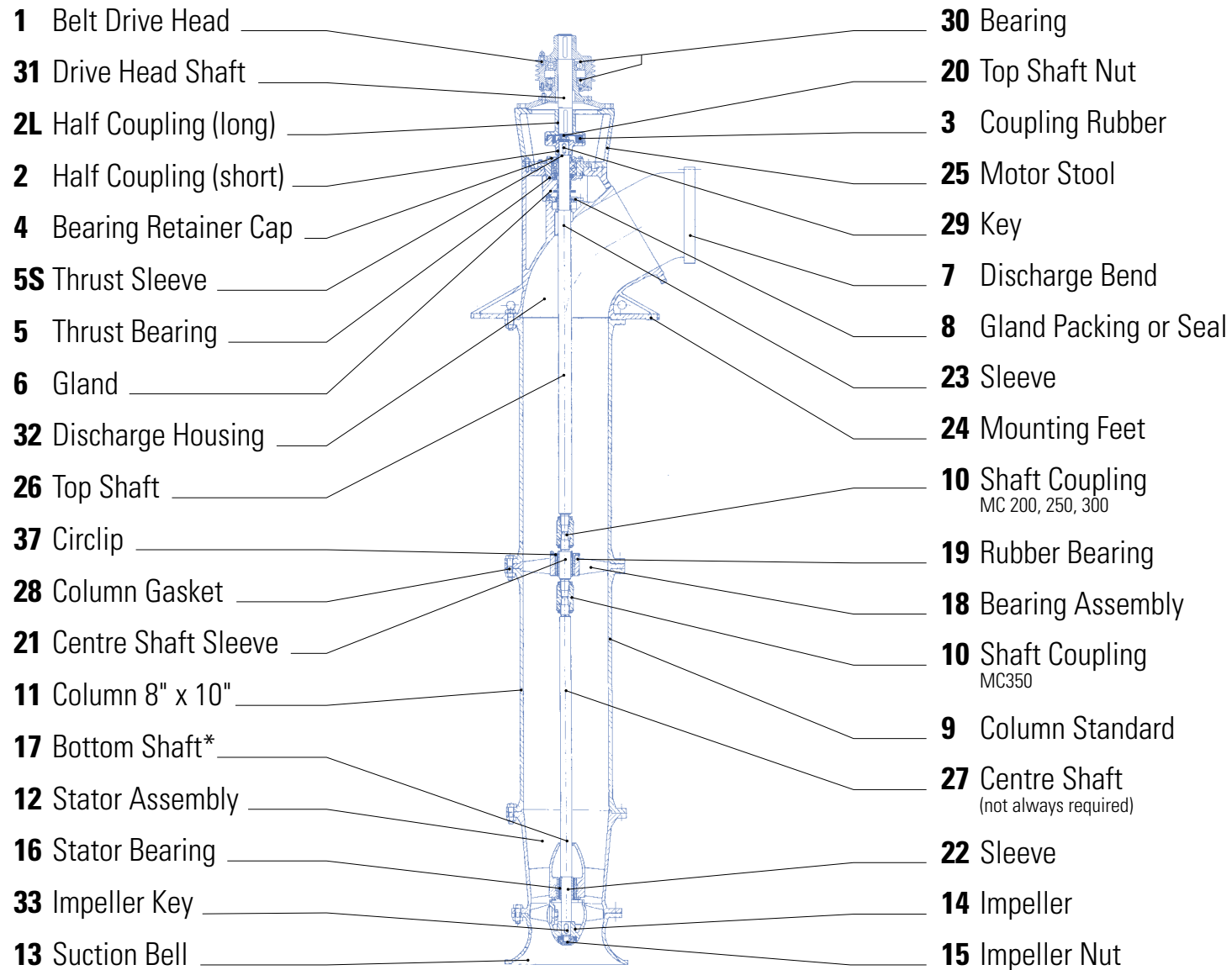




Axial Flow MC Series



Suit: MC 150, 200, 250, 300, 350



MC Axial Flow Pump Parts List for 150, 200, 250, 300, 350

Item	Description	MC150 6" x 6"	MC200 8" x 8"	MC250 10" x 10"	MC300 12" x 12"	MC350 14" x 14"
1	Belt Drive Head		15MC2001	15MC2001	15MC3001	15MC3501
2	Half Coupling (Short)	15MC1502	15MC2002	15MC2002	15MC3002	15MC3502
2	Half Coupling (Long)		15MC2002L	15MC2002L	15MC3002L	15MC3502L
3	Coupling Rubber	15MC1503	15MC2003	15MC2003	15MC3003	15MC3503
4	Bearing Retainer Cap	15MC1504	15MC2004	15MC2004	15MC3004	15MC3504
5	Thrust Bearing	15MC1505	15MC2005	15MC2005	15MC3005	15MC3505
5	Thrust Sleeve		15MC2005S	15MC2005S	15MC3005S	
6	Gland		15MC2006	15MC2006		
7	Discharge Bend		15MC2007	15MC2507	15MC3007	15MC3507
8	Gland Packing or Seal		15MC2008	15MC2008	15MC3008	15MC3508
9	Column Standard	15MC1509	15MC2009	15MC2509	15MC3009	15MC3509
10	Shaft Coupling (MC350)		15MC20010	15MC20010	15MC30010	15MC35010
11	Column 8"x10"			15MC25011		
12	Stator Assembly	15MC15012	15MC20012	15MC20012	15MC30012	15MC35012
13	Suction Bell	15MC15013	15MC20013	15MC25013	15MC30013	15MC35013
14	Impeller	15MC15014	15MC20014*	15MC25014*	15MC30014*	15MC35014*
15	Impeller Nut	15MC15015	15MC20015*	15MC20015*	15MC30015*	15MC35015
16	Stator Bearing	15MC15016	15MC20016	15MC20016	15MC30016	15MC35016

MC Axial Flow Pump Parts List for 150, 200, 250, 300, 350

Item	Description	MC150 6" x 6"	MC200 8" x 8"	MC250 10" x 10"	MC300 12" x 12"	MC350 14" x 14"
17	Bottom Shaft	15MC15017	15MC20017#	15MC20017#	15MC30017	15MC35017
18	Bearing Assembly		15MC20018	15MC25018	15MC30018	15MC35018
19	Rubber Bearing		15MC20019	15MC20019	15MC30019	15MC35019
20	Top Shaft Nut	15MC15020	15MC20020	15MC20020	15MC30020	15MC35020
21	Centre Shaft Sleeve	15MC15021	15MC20021	15MC20021	15MC30021	15MC35021
22	Bottom Sleeve	15MC15022	15MC20022	15MC20022	15MC30022	15MC35022
23	Top Shaft Sleeve	15MC15023	15MC20023	15MC20023	15MC30023	15MC35023
24	Mounting Feet	15MC15024	15MC20024	15MC25024	15MC30024	15MC35024
25	Motor Stool	15MC15025	15MC20025	15MC20025	15MC30025	15MC35025
26	Top Shaft	15MC15026	15MC20026	15MC20026	15MC30026	15MC35026
27	Centre Shaft		15MC20027	15MC20027	15MC30027	15MC35027
28	Column Gasket	15MC15028	15MC20028	15MC25028	15MC30028	15MC35028
29	Key - Drive End	15MC15029	15MC20029	15MC20029	15MC30029	15MC35029
30	Bearing		15MC20030	15MC20030	15MC30030	15MC35030
31	Drive Head Shaft		15MC20031	15MC20031	15MC30031	15MC35031
32	Discharge Housing	15MC15032	15MC20032	15MC25032	15MC30032	15MC35032
33	Impeller Key	15MC15033	15MC20033	15MC20033	15MC30033	15MC35033
37	Circlip		15MC20037	15MC20037		

Slurry, Transfer and Pressure Pumps

2.5PZW-12 Slurry

4PZW-12 Slurry

4TCD-14 Transfer

NS100 Transfer

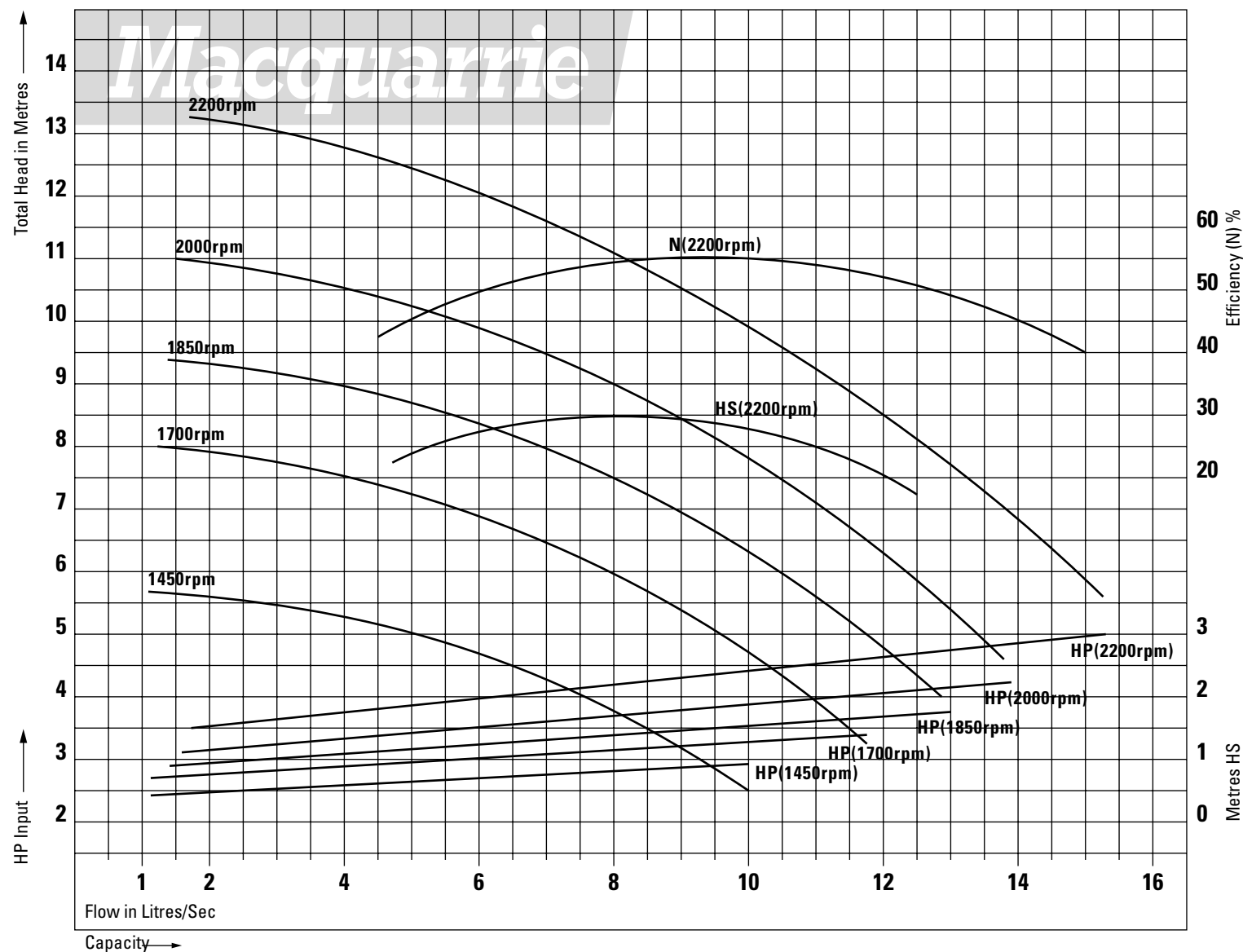
150FSR Transfer

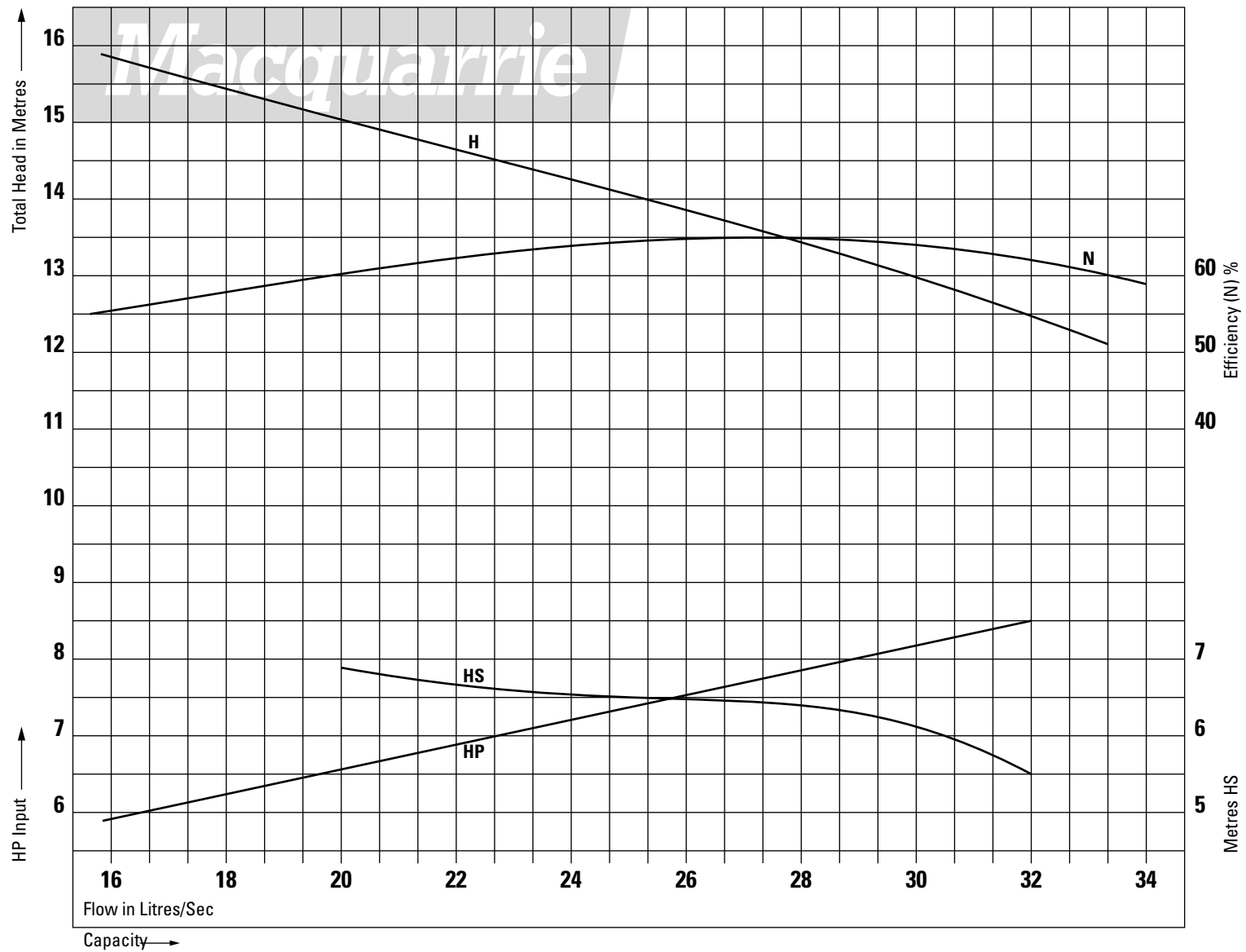
200FSR Transfer

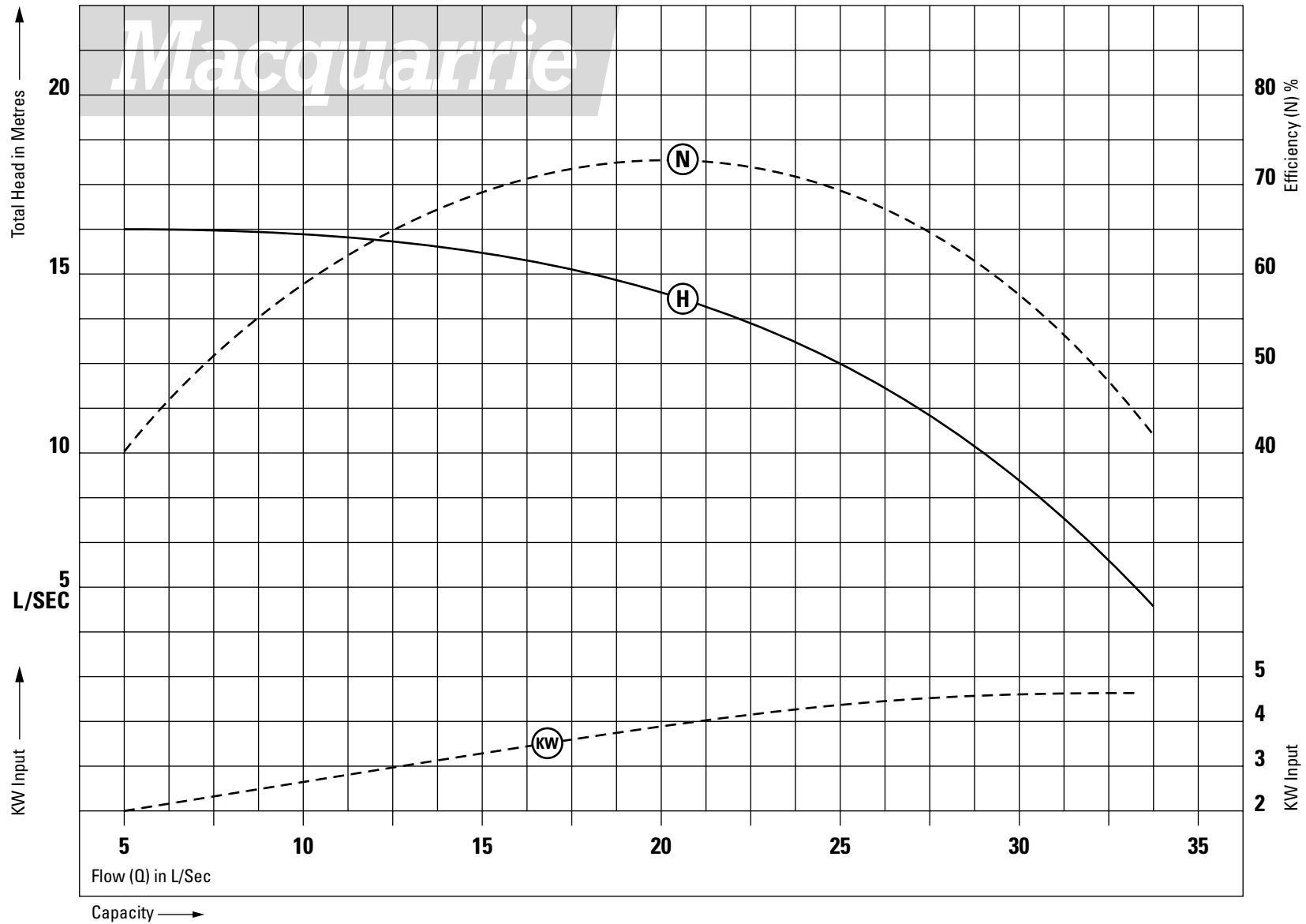
50BPZ-45 Pressure

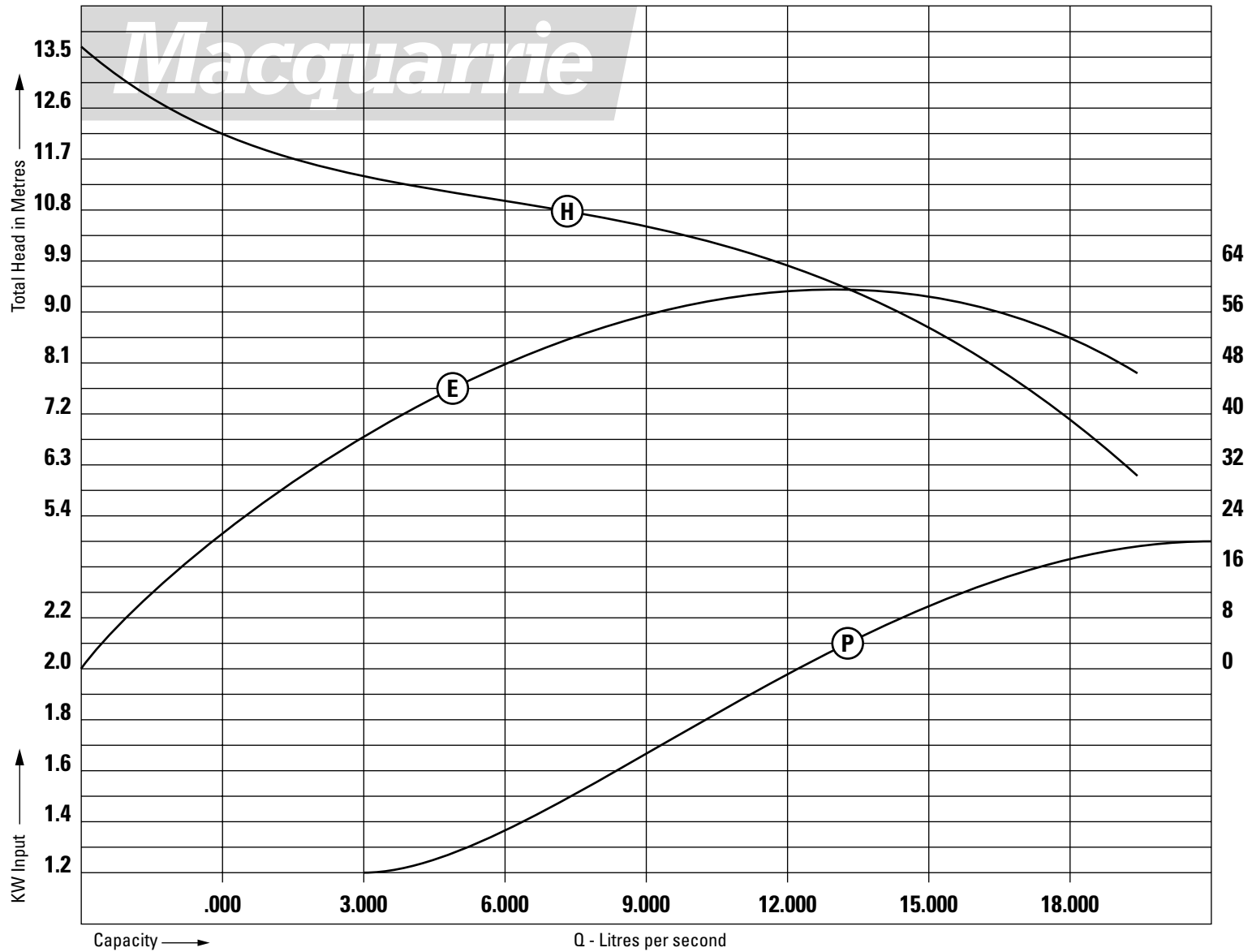
80BPZ-65 Pressure

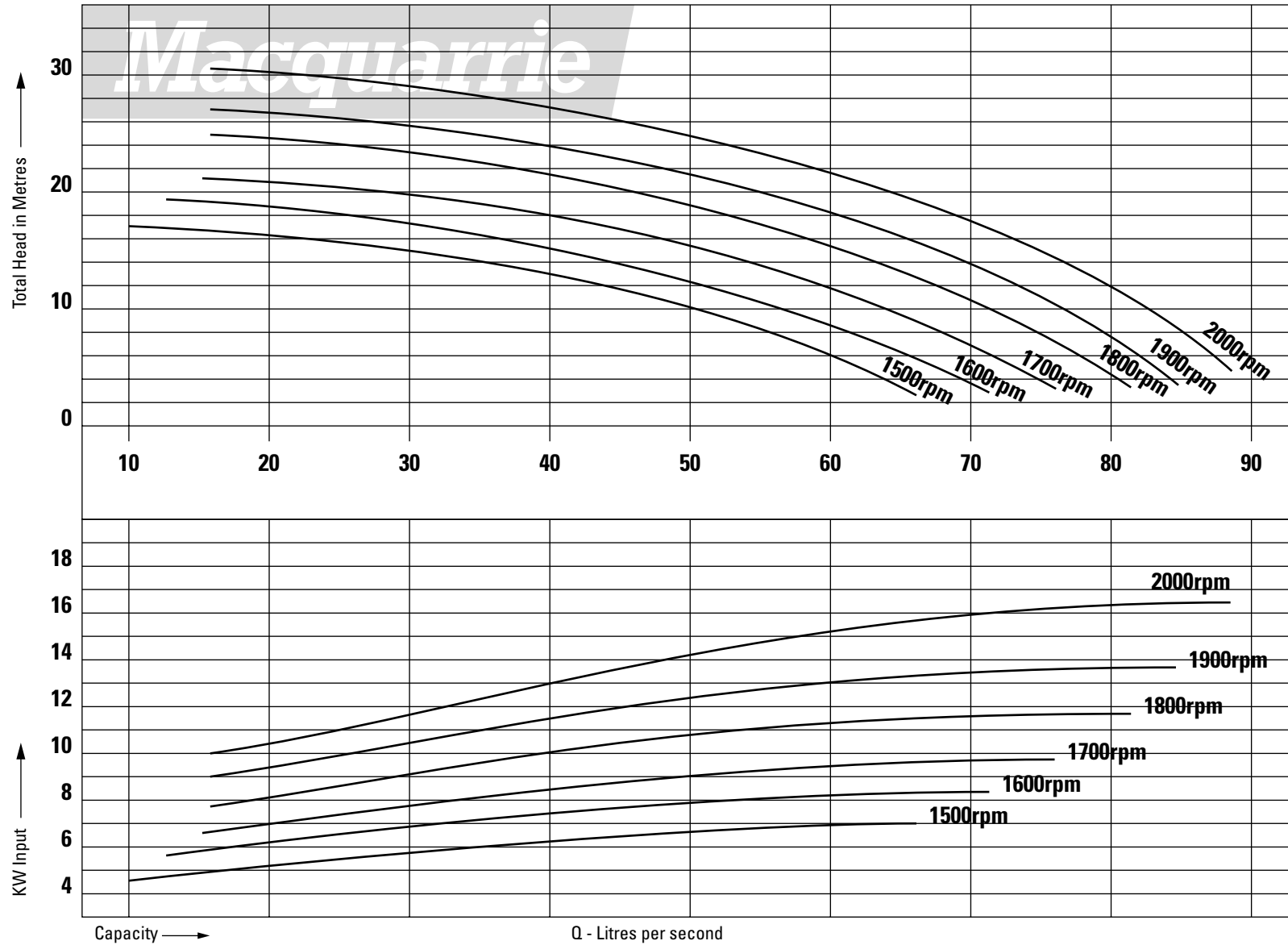


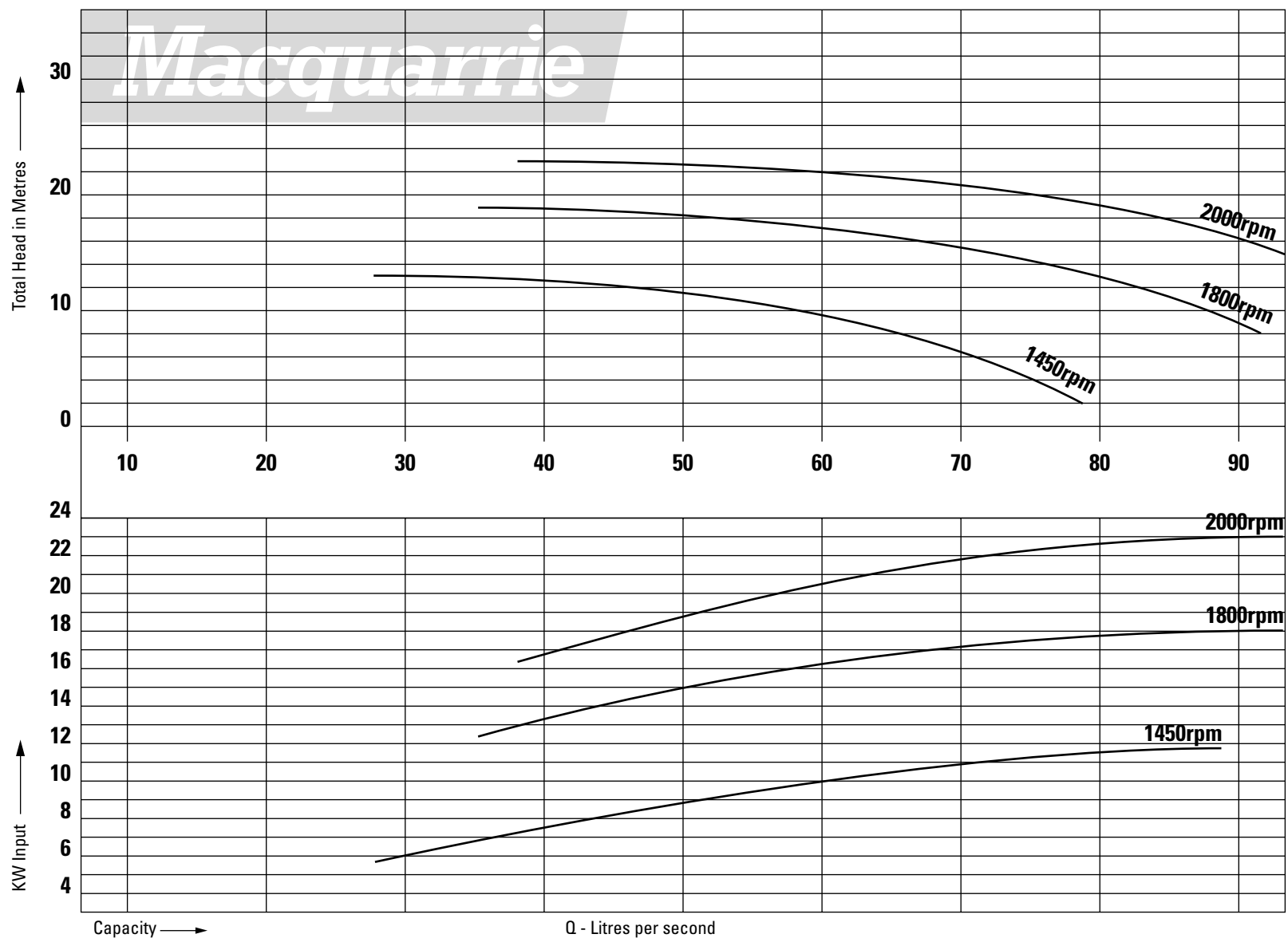


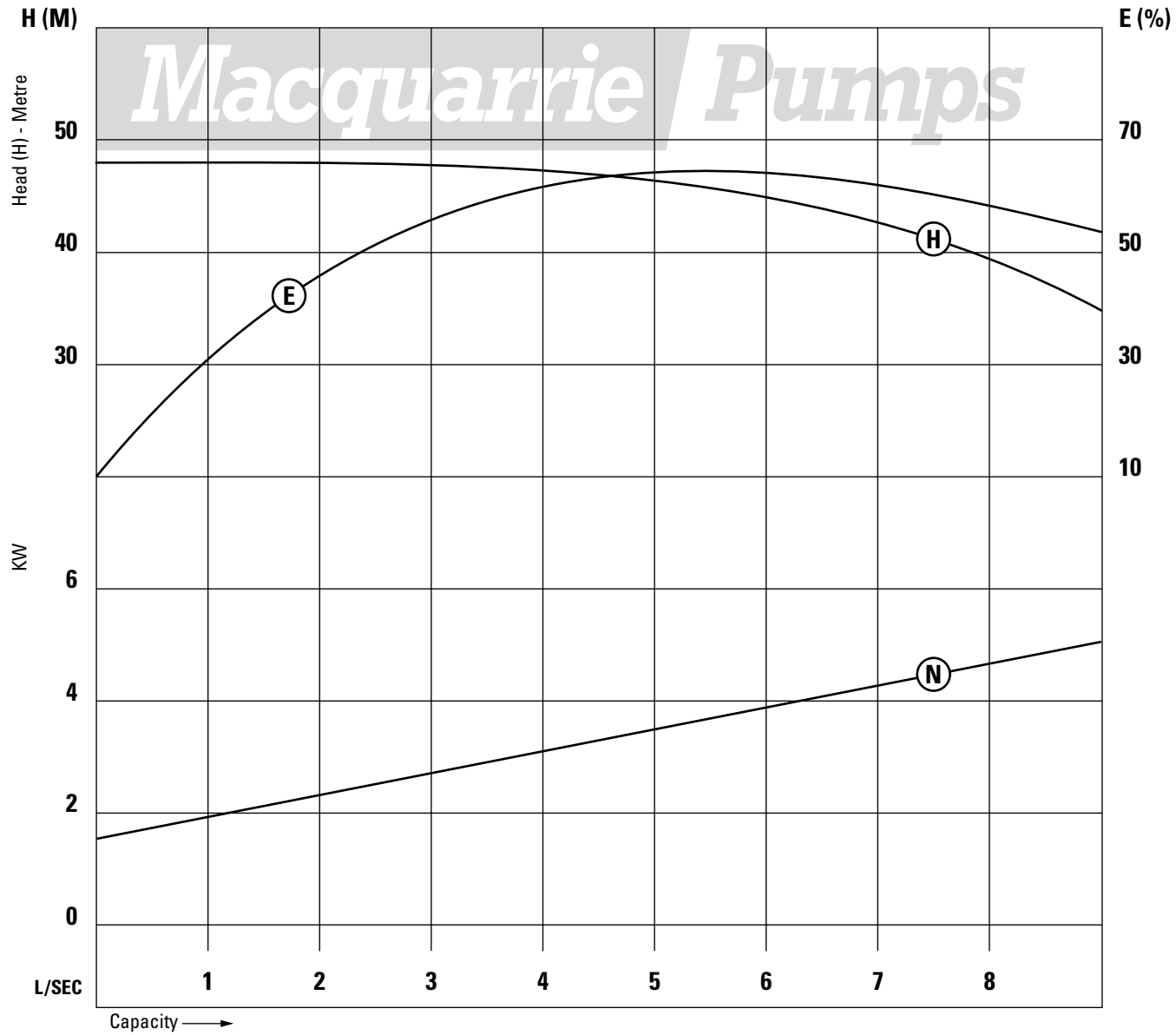




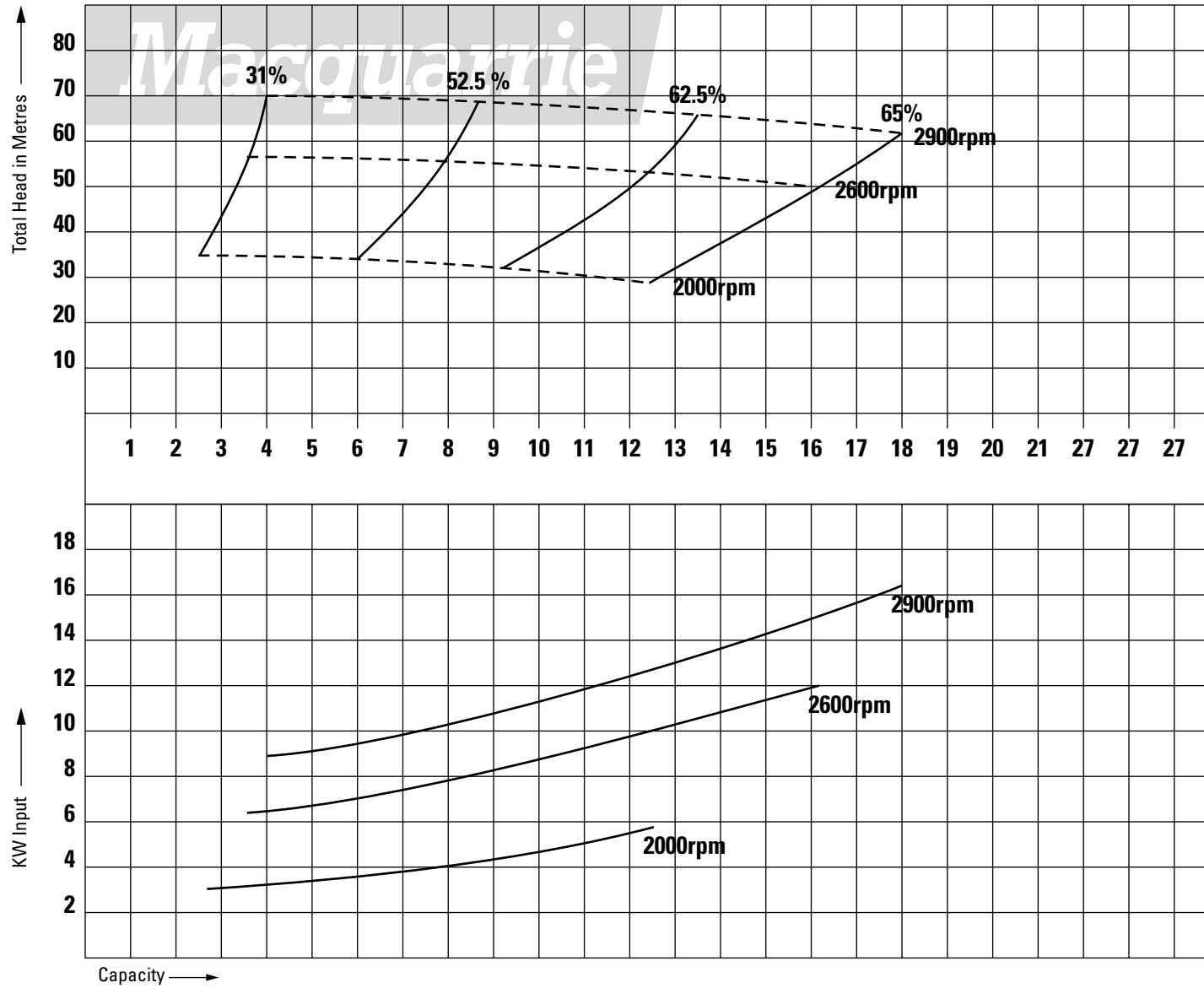




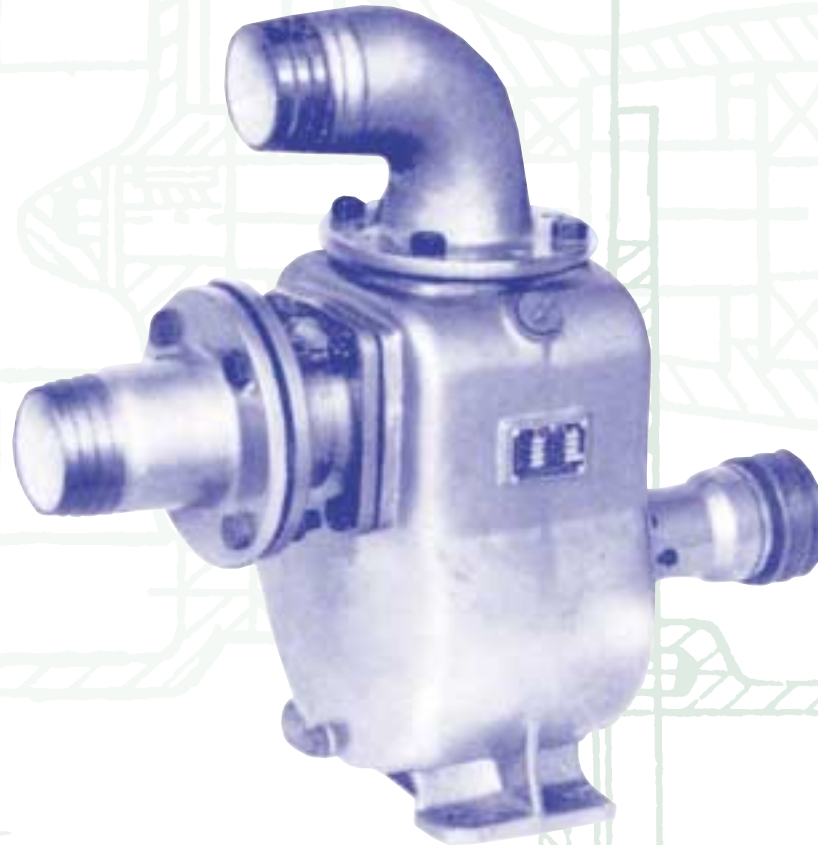




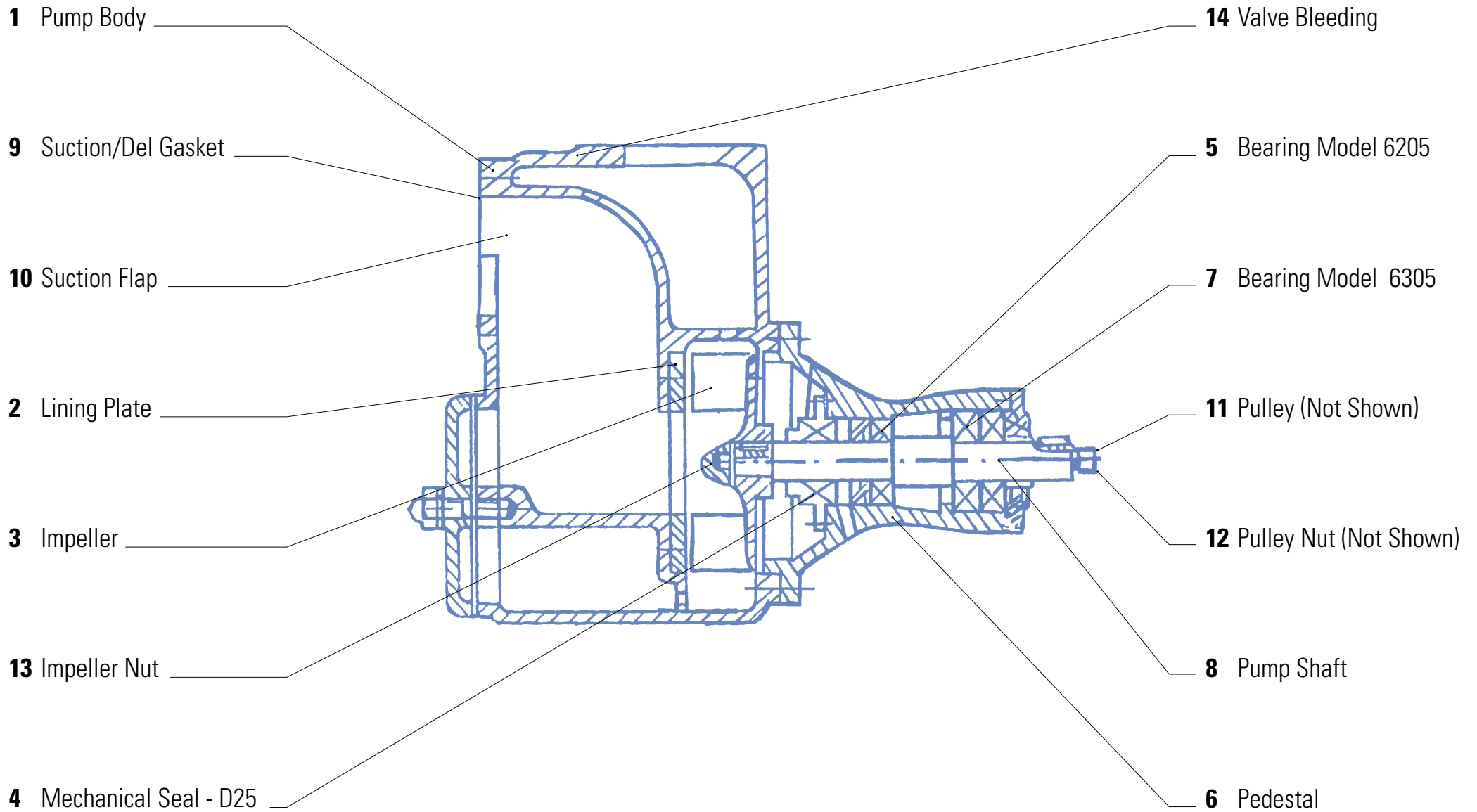
Suit: 80BPZ-65 Self Priming Pressure 3" x 3"



Slurry, Transfer and Pressure Pumps



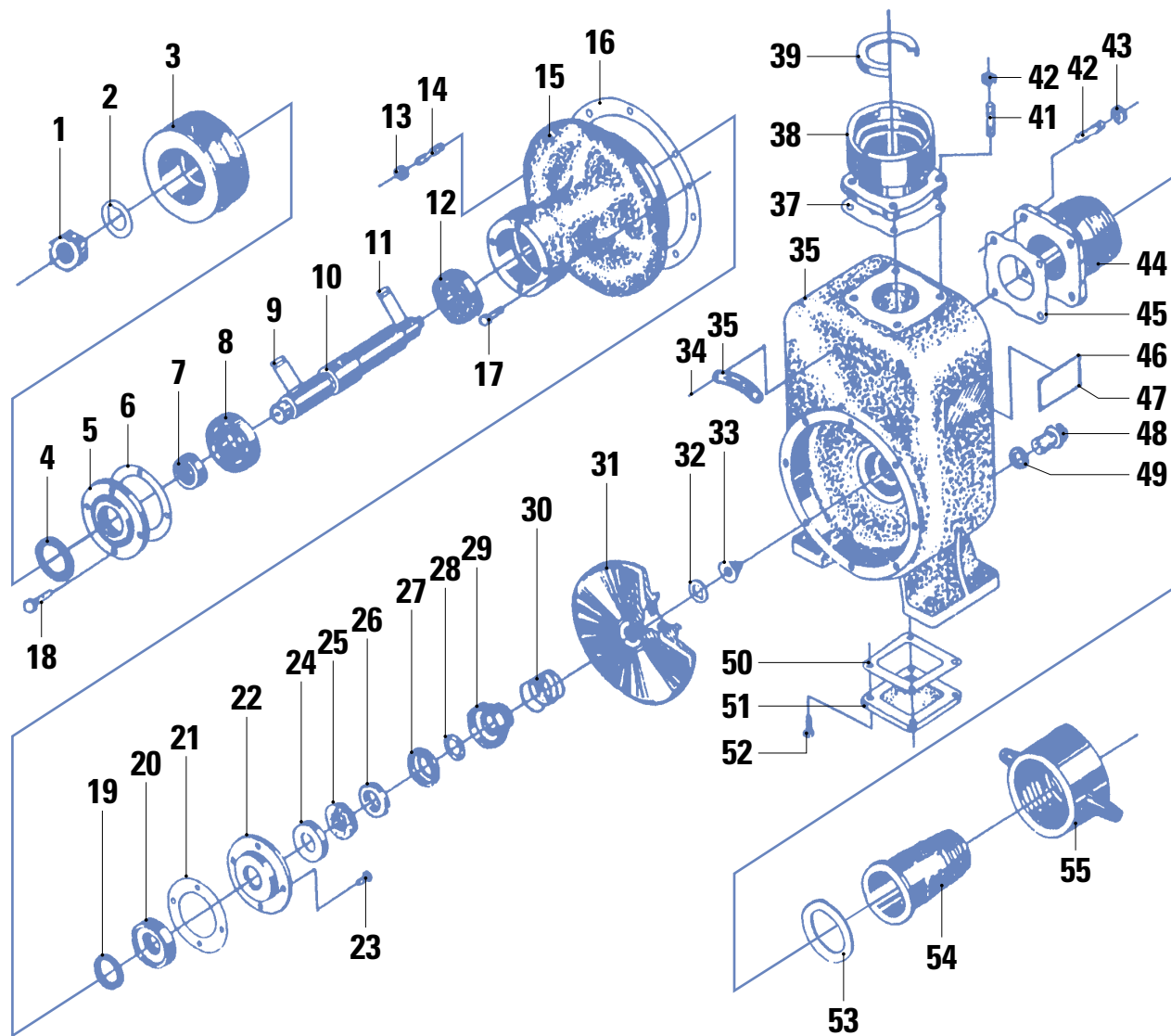
Suit: 2.5 ZPW-12, 4ZPW-12



Slurry Pump Parts List for 25.ZWP-12 and 4ZPW-12

Item	Description	2.5ZPW-12	4ZPW-12
1	Pump Body	1525ZPW1201	154ZPW1201
2	Lining Plate	1525ZPW1202	154ZPW1202
3	Impeller	1525ZPW1203	154ZPW1203
4	Mechanical Seal - D25	1525ZPW1204	154ZPW1204
5	Bearing Model 6205	1525ZPW1205	154ZPW1205
6	Pedestal	1525ZPW1206	154ZPW1206
7	Bearing Model 6305	1525ZPW1207	154ZPW1207
8	Pump Shaft	1525ZPW1208*	154ZPW1208*
9	Suction/Del Gasket	1525ZPW1209	154ZPW1209
10	Suction Flap	1525ZPW1210	154ZPW1210
11	Pulley	1525ZPW1211	154ZPW1211
12	Pulley Nut	1525ZPW1212	154ZPW1212
13	Impeller Nut	1525ZPW1213	154ZPW1213

*Also available in Stainless Steel



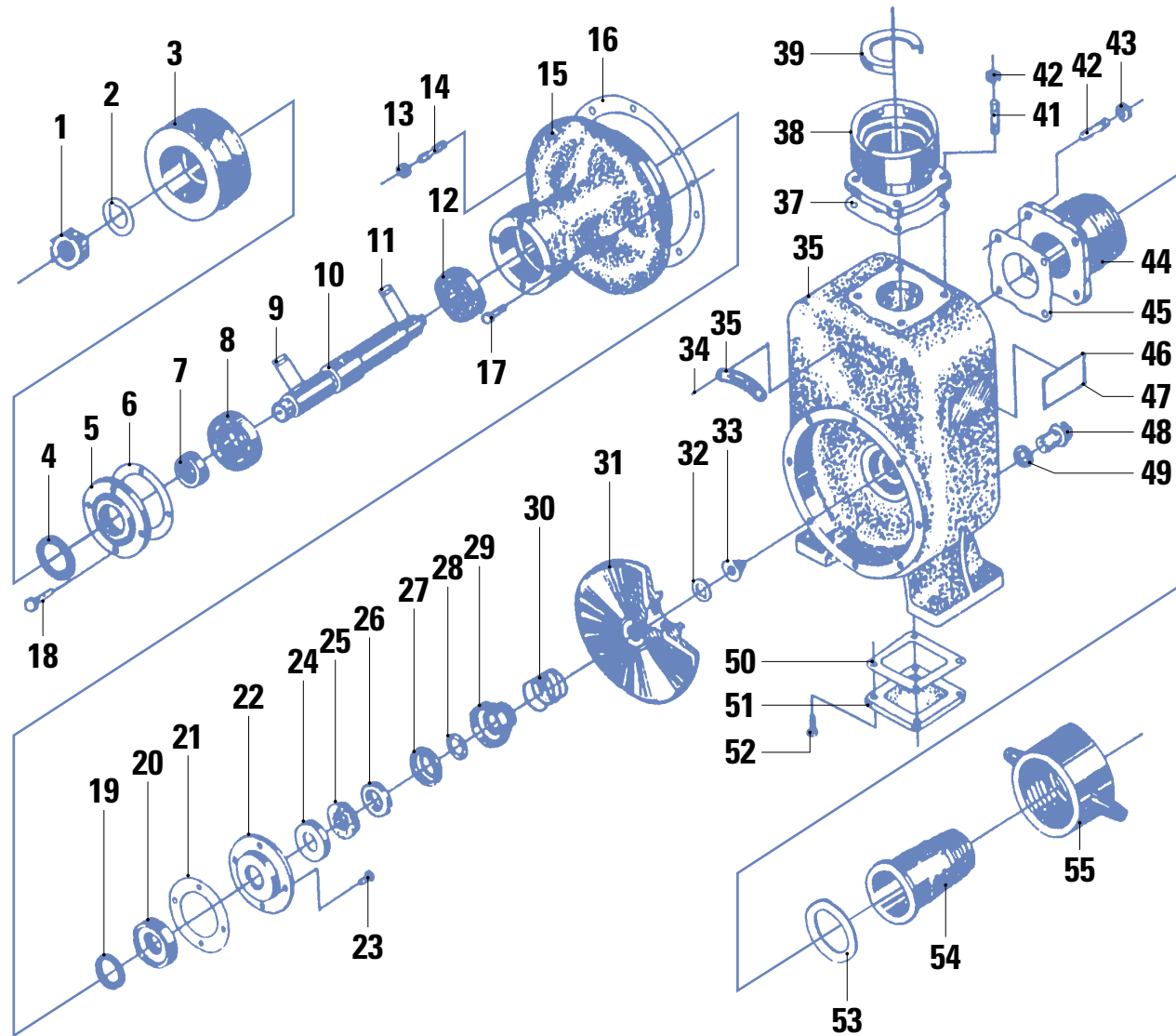
Transfer Pump Parts List for 4TCD-14

Item	Description	4TCD-14
1	Pulley Nut	154TCD1401
3	Pulley	154TCD1403
5	Bearing Cover	154TCD1405
6	Gasket	154TCD1406
7	Thurst Ring	154TCD1407
8	Bearing (6306)	154TCD1408
10	Shaft*	154TCD1410
12	Bearing (6206)	154TCD1412
15	Bearing Body	154TCD1415
16	Gasket	154TCD1416
20	Oil Seal	154TCD1420
21	Gasket	154TCD1421
22	Sealing Seal	154TCD1422
31	Impeller	154TCD1431
33	Impeller Nut	154TCD1433

Item	Description	4TCD-14
36	Pump Body	154TCD1436
37	Gasket	154TCD1437
38	Discharge Union	154TCD1438
39	Sealing Ring	154TCD1439
44	Suction Union	154TCD1444
45	Gasket	154TCD1445
50	Gasket	154TCD1450
51	Cover	154TCD1451
53	Ruber Plate	154TCD1453
54	Suction Union	154TCD1454
55	Suction Union Nut	154TCD1455

*Also available in Stainless Steel

Suit: 50BPZ-45 and 80BPZ-65



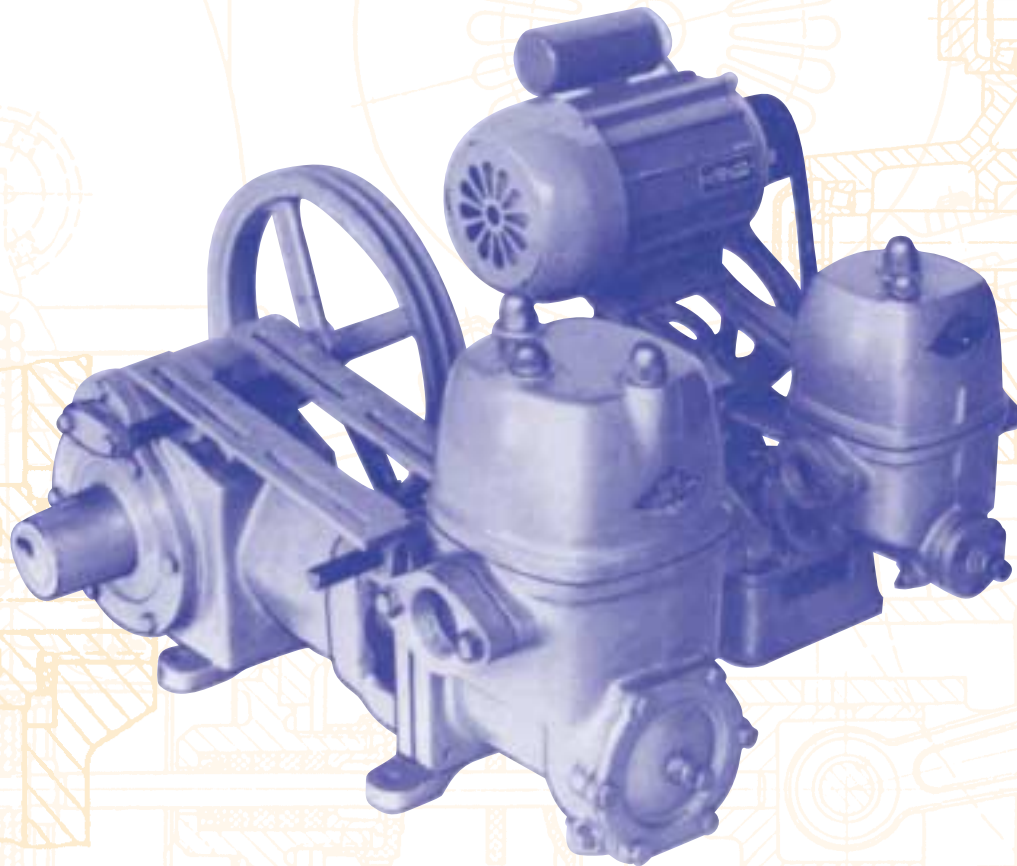
Pressure Pump Parts List for 50BPZ-45 and 80BPZ-65

Item	Description	50BPZ-45	80BPZ-65
1	Pulley Nut	1550BPZ4501	1580BPZ6501
3	Pulley	1550BPZ4503	1580BPZ6503
4	Felt Seal	1550BPZ4504	1580BPZ6504
5	Bearing Cover	1550BPZ4505	1580BPZ6505
6	Gasket	1550BPZ4506	1580BPZ6506
7	Thurst Ring	1550BPZ4507	1580BPZ6507
8	Bearing (6305) (6307)	1550BPZ4508	1580BPZ6508
10	Shaft*	1550BPZ4510	1580BPZ6510
11	Key	1550BPZ4511	1580BPZ6511
12	Imp. Bearing	1550BPZ4512	1580BPZ6512
15	Bearing Body	1550BPZ4515	1580BPZ6515
16	Gasket	1550BPZ4516	1580BPZ6516
19	Felt Seal		1580BPZ6519
20	Oil Seal	1550BPZ4520	1580BPZ6520
21	Gasket	1550BPZ4521	1580BPZ6521
22	Sealing Seal	1550BPZ4522	1580BPZ6522

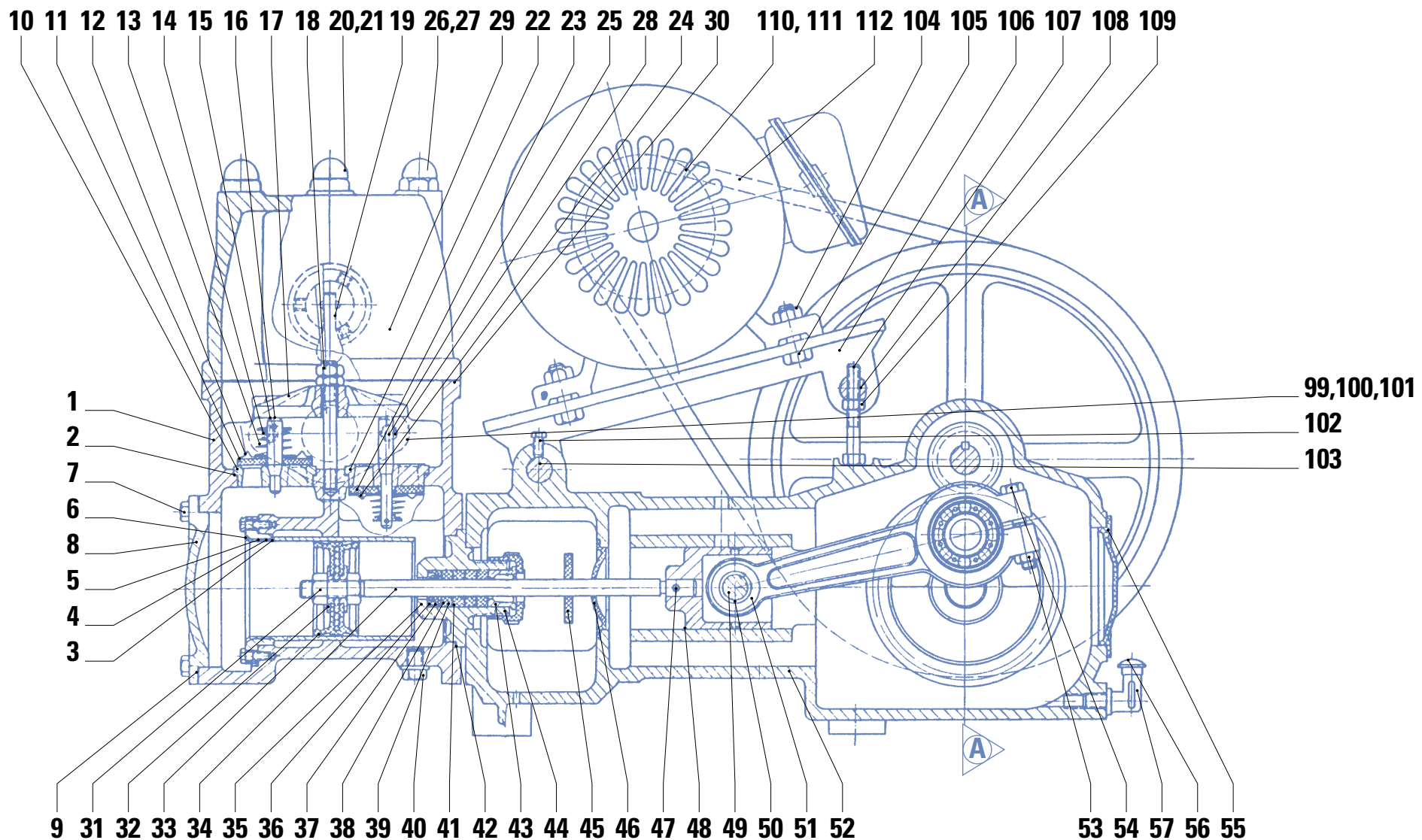
Item	Description	50BPZ-45	80BPZ-65
31	Impeller	1550BPZ4531	1580BPZ6531
32	Tab Washer	1550BPZ4532	1580BPZ6532
33	Impleller Nut	1550BPZ4533	1580BPZ6533
36	Pump Body	1550BPZ4536	1580BPZ6536
37	Gasket	1550BPZ4537	1580BPZ6537
38	Discharge Union	1550BPZ4538	1580BPZ6538
39	Sealing Ring	1550BPZ4539	1580BPZ6539
44	Suction Socket	1550BPZ4544	1580BPZ6544
45	Gasket	1550BPZ4545	1580BPZ6545
48	Screw Socket	1550BPZ4548	
50	Gasket	1550BPZ4550	1580BPZ6550
51	Cover	1550BPZ4551	1580BPZ6551
53	Ruber Plate	1550BPZ4553	1580BPZ6553
54	Suction Union	1550BPZ4554	1580BPZ6554
55	Suction Union Nut	1550BPZ4555	1580BPZ6555

*Also available in Stainless Steel

XF404 and XF101 Piston Pumps

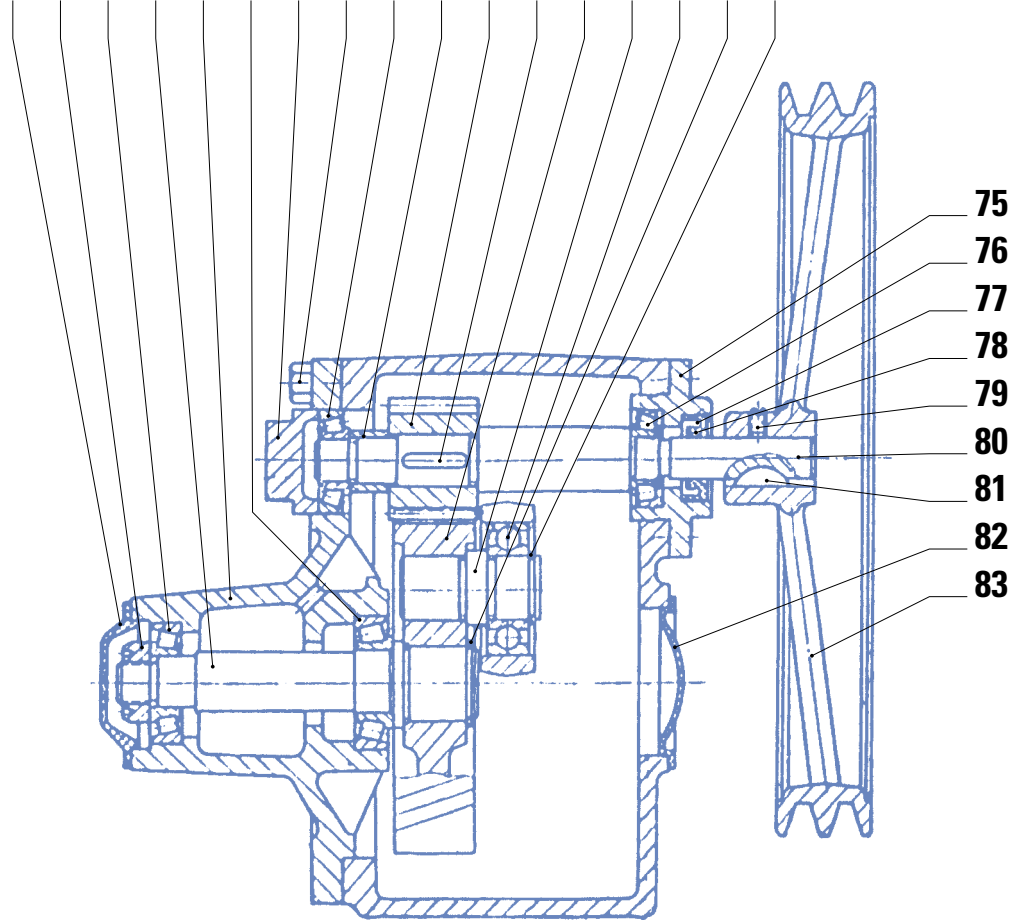


Piston Pumps Parts List for Models XF101 and XF404



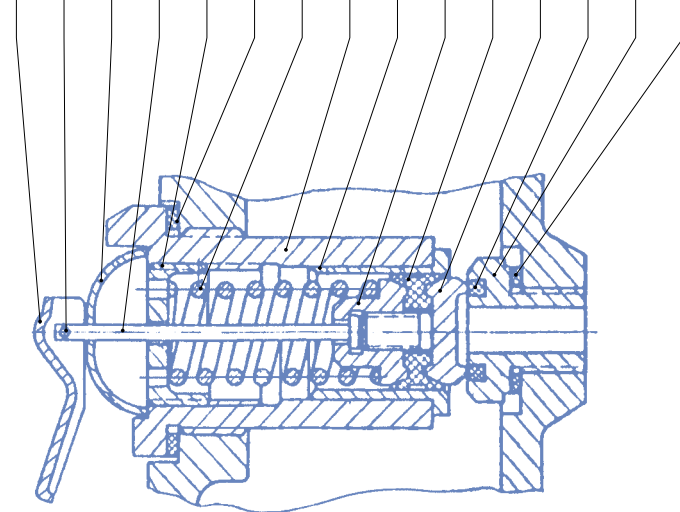
Piston Pumps Parts List for Models XF101 and XF404

58 59 60 61 62 63 64 65 66 67 68 69 70 71 72 73 74



Section A - A

84 85 86 87 88 89 90 91 92 93 94 95 96 97 98



Piston Pumps Parts List for Models XF101 and XF404

Item	Description	XF404
2	Washer for Valve Seal	15XF40402
3	Sealing Ring	15XF40403
4	Screw	15XF40404
5	Flange	15XF40405
6	Cylinder Sleeve	15XF40406
7	Cylinder Cover Bolt	15XF40407
8	Cylinder Cover	15XF40408
9	Discharge Valve Seat	15XF40409
10	Discharge Valve	15XF40410
11	Suction Valve	15XF40411
12	Discharge Valve Cover	15XF40412
13	Suction Valve	15XF40413
14	Discharge Valve Spring	15XF40414
15	Discharge Valve Rod	15XF40415
16	Split Pin	15XF40416
17	Valve Bridge	15XF40417
18	Stud	15XF40418
19	Valve Bridge Nut	15XF40419

Item	Description	XF404
20	Priming Plug	15XF40420
21	Priming Plug Washer	15XF40421
22	Seat	15XF40422
23	Suction Valve	15XF40423
24	Suction Valve Cover	15XF40424
25	Suction Valve Rod	15XF40425
28	Rod	15XF40428
29	Pressure Chamber	15XF40429
30	Pressure Chamber Gasket	15XF40430
31	Piston Nut	15XF40431
32	Piston Washer	15XF40432
33	Piston	15XF40433
34	Piston Rod	15XF40434
35	Stuffing Box	15XF40435
36	Spring	15XF40436
37	Packing Spring	15XF40437
38	Packing Washer	15XF40438
39	Discharge Plug	15XF40439

Item	Description	XF404
40	Washer, Discharge	15XF40440
41	Packing	15XF40441
42	Seal Ring, Packing	15XF40442
43	Packing Sleeve	15XF40443
44	Packing Nut	15XF40444
45	Water Baffle	15XF40445
46	Plastic Cover	15XF40446
47	Cross Head Pin	15XF40447
48	Cross Head with Piston Rod	15XF40448
49	Cross Head Pin	15XF40449
50	Connecting Rod Bushing	15XF40450
51	Rod	15XF40451
52	Pump Body	15XF40452
53	Connecting Rod Bolt	15XF40453
54	Connecting Rod Nut	15XF40454
55	End Cover	15XF40455
56	Cup Cover	15XF40456
57	Cup	15XF40457

Piston Pumps Parts List for Models XF101 and XF404

Item	Description	XF404
58	Bearing Cover	15XF40458
59	Circular Nut	15XF40459
60	Bearing (7204)	15XF40460
61	Gear Shaft	15XF40461
62	Bearing Seat	15XF40462
63	Bearing (7205)	15XF40463
67	Shaft Sleeve	15XF40467
68	Pinion	15XF40468
69	Key	15XF40469
70	Gear	15XF40470
71	Crank Pin	15XF40471
72	Bearing	15XF40472
73	Elastic Guard Ring	15XF40473
74	Elastic Guard Ring	15XF40474
75	Cover	15XF40475
76	Bearing	15XF40476
77	Seal	15XF40477
80	Shaft	15XF40480

Item	Description	XF404
81	Key	15XF40481
82	Side Cover	15XF40482
84	Saftey Valve Lever	15XF40484
85	Pin	15XF40485
86	Cap	15XF40486
87	Pull Rod	15XF40487
88	Adjusting Nut	15XF40488
89	Washer	15XF40489
90	Spring	15XF40490
91	Saftey Valve	15XF40491
92	Saftey Valve Bush	15XF40492
93	Pull Rod Connetor	15XF40493
94	Slide Seal Ring	15XF40494
95	Saftey Valve	15XF40495
96	Valve Seat Washer	15XF40496
97	Saftey Valve Seat	15XF40497
98	Saftey Valve Washer	15XF40498