

# WaterSystems

## MJS Series



MJS-50



MJS-50/PC25S



### Applications

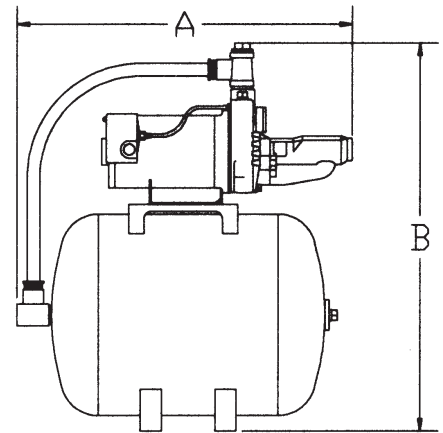
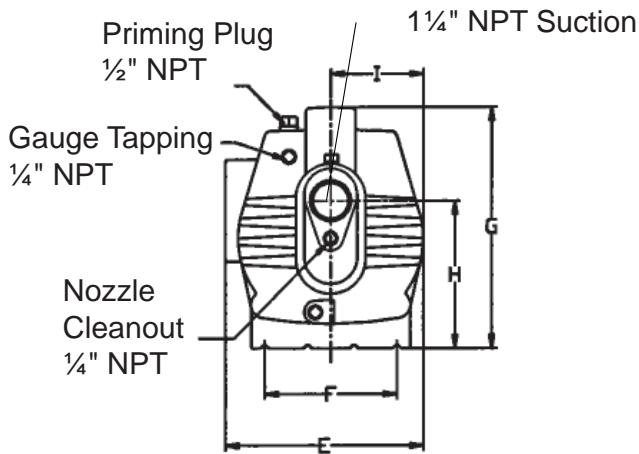
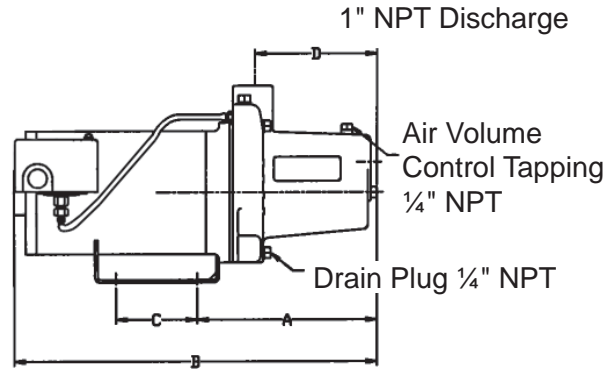
Pump - motor assembly with internal injector and 30-50 PSI pressure switch and pressure gauge. All pumps have 1 1/4" NPT suction and 1" NPT discharge. Model MJSHP-50 is recommended for 40-60 PSI pressure setting.

Ideal for supplying pressurized freshwater to rural homes, farms and cabins. For use where the vertical distance from the water supply does not exceed 25 feet.

### Features

- Cast Iron casing and seal plate ensures durability and long life.
- Precision engineered thermoplastic impeller, diffuser, nozzle and venturi.
- A.O. Smith **higher than standard Nema service factor** dual compartment motors.
- Dual voltage (115/230) Stainless Steel Motor Shaft, Dual Ball Bearing.
- Square D pressure switch preset at 30-50 PSI for today's modern living conditions.
- John Crane type 6 mechanical seal ensures years of leak free operation.
- Fully serviceable with two year over the counter warranty.
- Clean out plug to easily unclog nozzle.
- Pressure gauge included on all models.

## Dimensional Outline



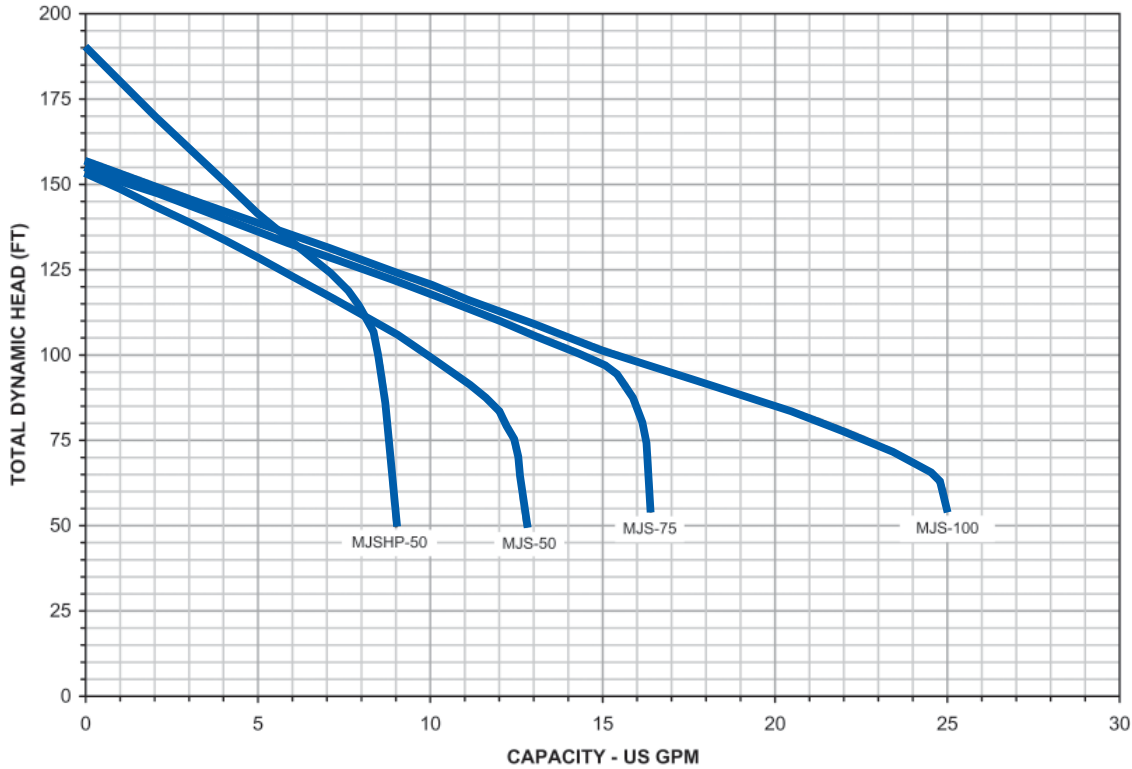
## Specifications

Monarch Item No.	Model No.	Little Giant Item No.	Model No.	Suction NPT	Discharge NPT	A	B	C	D	E	F	G	H	I	Ship Wt. (lbs)
602002	MJS-50	558274	JP-050-C	1 1/4"	1"	9.38	17.3	3	6	9	4.85	9.8	4.62	3.5	36
602003	MJS-75	558275	JP-075-C	1 1/4"	1"	9.38	17.3	3	6	9	4.85	9.8	4.62	3.5	37
602004	MJS-100	558276	JP-100-C	1 1/4"	1"	9.38	17.3	3	6	9	4.85	9.8	4.62	3.5	38
602011	MJSHP-50	-	-	1 1/4"	1"	9.38	17.3	3	6	9	4.85	9.8	4.62	3.5	36

\*Dimensions measured in inches

Model	HP	Tank (Gal.)	Length	Width	Height	Ship Wt. (lbs)
MJS-50/PC25S	1/2	8.5	25"	13"	29"	57

## Performance Data



Pump Model	Motor HP	Total Suction Lift (ft.)	Pump Capacity in U.S. GPM													Maximum Pressure
			Discharge Pressure in PSI													
			20	25	30	35	40	45	50	55	60	65	70	75	80	
MJS-50	1/2	5	12.8	12.5	12.3	12.1	11.2	9.5	6.9	4.3	2.0	-	-	-	-	64.2
		10	11.5	11.3	11.0	10.8	10.4	8.5	6.0	3.4	1.0	-	-	-	-	62.0
		15	9.8	9.7	9.6	9.5	9.4	7.3	4.7	2.2	-	-	-	-	-	59.9
		20	8.3	8.1	7.8	7.7	7.6	5.7	3.5	1.0	-	-	-	-	-	57.7
		25	5.6	5.55	5.5	5.4	5.3	4.1	2.3	0.2	-	-	-	-	-	55.5
MJS-75	3/4	5	16.2	16.0	15.8	15.6	15.4	12.1	8.7	5.7	2.9	-	-	-	-	65.0
		10	14.3	14.0	13.7	13.5	13.2	10.6	7.6	4.6	1.6	-	-	-	-	62.8
		15	12.1	11.7	11.3	11.0	10.6	9.3	6.3	3.2	0.2	-	-	-	-	60.6
		20	9.9	9.6	9.3	9.0	8.7	7.8	4.8	1.9	-	-	-	-	-	58.5
		25	7.2	7.1	7.0	6.9	6.8	6.7	3.5	0.6	-	-	-	-	-	56.3
MJS-100	1	5	24.8	24.7	23.2	19.8	16.5	13.1	9.5	6.3	3.4	0.5	-	-	-	66.2
		10	21.5	21.2	20.1	18.4	15.2	11.5	7.9	4.9	2.4	-	-	-	-	64.2
		15	18.1	17.8	17.4	16.7	13.8	10.3	6.9	4.0	1.3	-	-	-	-	62.1
		20	14.4	14.3	14.2	14.6	12.3	9.0	5.3	2.3	0.2	-	-	-	-	60.1
		25	10.5	10.5	10.4	10.3	8.8	7.0	4.2	1.3	-	-	-	-	-	57.2
MJS HP-50 High Pressure	1/2	5	8.8	8.9	8.6	8.4	8.3	8.1	7.4	6.0	4.7	3.4	2.2	1.2	0.15	80.6
		10	7.8	7.7	7.55	7.4	7.25	7.2	6.6	5.4	4.15	2.8	1.8	0.7	-	78.5
		15	6.5	6.4	6.3	6.2	6.1	6.0	5.3	4.8	3.6	2.3	1.3	0.3	-	76.3
		20	5.3	5.2	5.1	4.9	4.8	4.7	4.6	4.1	2.9	1.7	0.7	-	-	74.1
		25	3.7	3.65	3.6	3.55	3.5	3.5	3.45	2.4	2.3	1.3	0.3	-	-	71.9

## Performance Data

### MJS Series - For Shallow Wells To 25 Feet

Model No.	Item No.	HP	SF	Amps	Voltage	Ship Wt. (lbs.)	Description
MJS-50	602002	½	1.90	9.0/4.5	115/230	36	½ HP Shallow well jet pump, with gauge
MJS-75	602003	¾	1.65	14.8/7.4	115/230	37	¾ HP Shallow well jet pump, with gauge
MJS-100	602004	1	1.65	19.2/9.6	115/230	39	1 HP Shallow well jet pump, with gauge
MJSHP-50	602011	½	1.90	9.0/4.5	115/230	36	½ HP High Pressure Shallow well jet, with gauge

### Shallow Well Jet Pump & Tank Packaged Systems

MJS-50/PC25S	602013	½	1.90	9.0/4.5	115/230	64	Jet pump with 8.5 gallon Flexcon tank, with gauge
--------------	--------	---	------	---------	---------	----	---



**Franklin Electric**

P.O. Box 12010  
 Oklahoma City, OK 73157-2010  
 Phone: 1.800.701.7894  
 Fax: 1.800.678.7867  
[www.LittleGiantPump.com](http://www.LittleGiantPump.com)

©2009 Franklin Electric Co., Inc.  
 Little Giant® is a registered trademark of Franklin Electric Co., Inc.  
 Form 995693 — 04/09