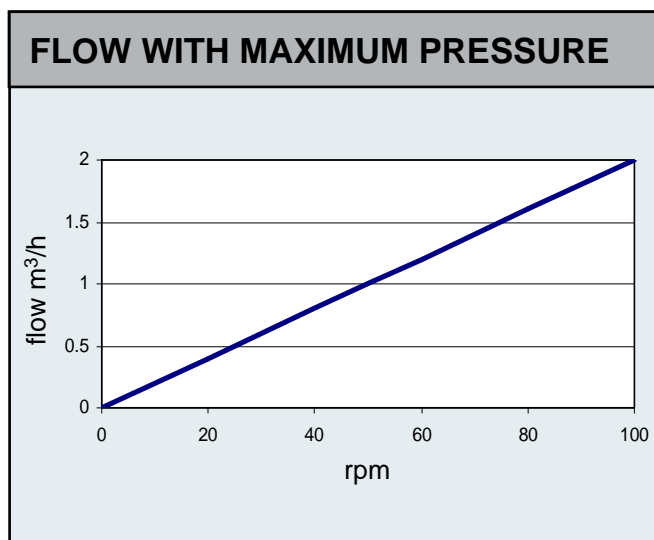


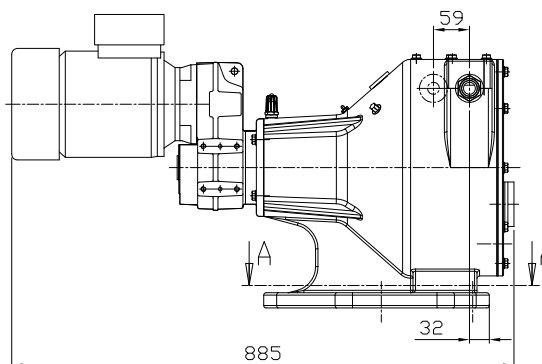
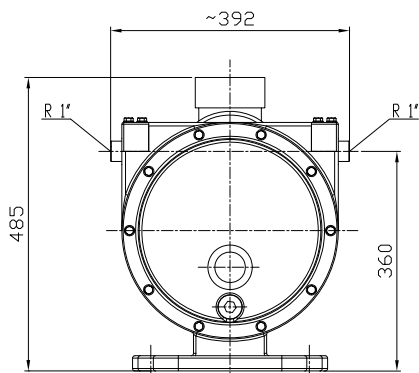
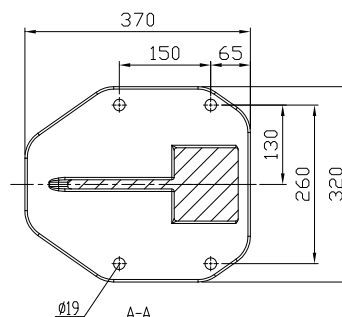


# LPP-D25 HOSE PUMP

TECHNICAL DATA	
Maximum flow	2.0 m <sup>3</sup> /h
Maximum pressure	7.5 bar
Flow/revolution	0.3 l
Hose connection	R1"
Hose bore	25 mm
Lubricant volume	0.4 l
Weight	~ 60 kg
Motor power	0.75 – 1.1 kW



MATERIALS OF CONSTRUCTION	
Housing	High-strength cast aluminum
Crank shaft	Carbon steel
Rotor	Polyacetal
Hose materials (colour code)	EPDM ( <i>violet</i> ) NR ( <i>light blue</i> ) NBR ( <i>yellow</i> ) NBRF ( <i>white</i> )



Dimensions (X,Y) vary according to the drive size. Please consult Larox Flowsys Oy for the exact drive sizing to your application.



## LAROX FLOWSYS PUMP MODEL NUMBERING

MODEL	SIZE (DN)	DRIVE	PRESSURE CLASS (PN)	CONNECTION	BODY MATERIAL	DRIVE CONTROL	AUXILIARIES
LPP-D= Dosing pump	(mm) 15 20 25	GM = geared motor GU= gear unit BS=bare shaft pump	7.5 = 7.5 BAR	¼" = R¼" ½" = R½" ¾" = R¾" 1" = R1" 9 = other	3 = AL	II = Integrated inverter (IP66) I = Inverter (IP20) N = None	R= Revolution detector D= Hose leak detector F= Forced cooling
LPP-T= Industrial hose pump	(mm) 25 32 40 50 65 80	GM = geared motor GU= gear unit BS=bare shaft pump	10 = 10 BAR 7.5 = 7.5 BAR (DN80)	1 = - 2 = flanged DIN PN 10 3 = flanged DIN PN 16 6 = flanged ANSI 150 8 = flanged B.S. TABLE D 9 = other	0 = FE	II = Integrated inverter (IP66) I = Inverter (IP20) N = None WC = Control unit	T= pressure transmitter with display R= Revolution detector D= Hose leak detector H= Connector hoses K= Connector flange for pressure transmitter F= Forced cooling

**Example:** Pump LPP-T40, geared motor, 10 bar, Flanges DIN PN 10, with Integrated inverter, Pressure transmitter with display, Hose leak detector

**Type marking:** LPP-T40GM 10-2-0-II-TD

## LAROX FLOWSYS PUMP HOSE MODEL NUMBERING

HOSE TYPE	HOSE MATERIAL	PRESSURE CLASS (PN)	HOSE INNER DIAMETER
LPP-D= LPP-D pump hose	EPDM = Ethylene propylene NR = Natural rubber NBR = Nitrile NBRF = Nitrile (FDA)	10 = 10 BAR	(mm) 15 20 25
LPP-T= LPP-T pump hose	EPDM = Ethylene propylene NR = Natural rubber NBR = Nitrile NBRF = Nitrile (FDA)	10 = 10 BAR 7.5 = 7.5 BAR (DN80)	(mm) 25 32 40 50 65 80

**Example:** LPP-T hose, natural rubber, pressure class 10 bars, hose bore diameter 40 mm

**Type marking:** LPP-T40-NR10

LAROX FLOWSYS OY, P.O. BOX 338, FI-53101 LAPPEENRANTA, FINLAND  
 TEL. +358 201 113 311 • FAX +358 201 113 300  
 E-MAIL INFO@LAROX.FI • WWW.LAROX.FI