



FEATURES:

- With enough head for SPA nozzles and adquate capacity.
- With thermal protector prevents the motor from burning.
- With cooling fan to prolong motor life.
- Impeller with PPO material plus fiber glass to enhance strength.
- Easy for mounting and maintenance is easy.
- Comply with UL standard.

SPA Series



APPLICATIONS:

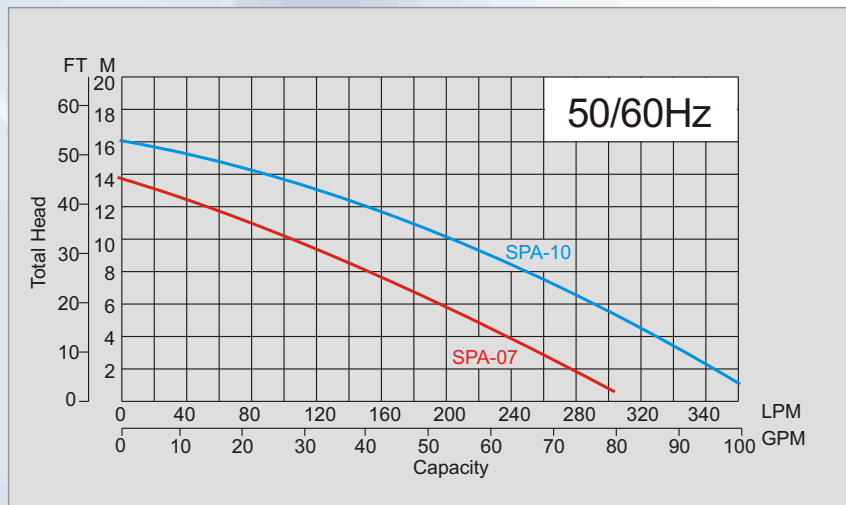
- Fit for house bath tub's SPA motor and pump.
- It also could be used for boosting the pressure of the transfer water.
- With dual voltage switches function is fit for more market places.
- Could be placed for house medical SPA pump.



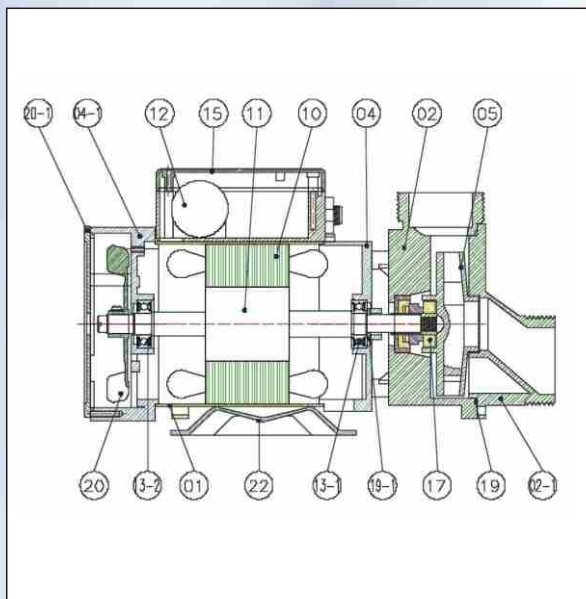


SPA Series

Performance



Construction



NO	Description	Material
1	Motor Casing	Steel
2	Pump Casing	ABS+FG
2-1	Pump Casing Cover	ABS+FG
4	Bearing Upper Cover	ADC12
4-1	Bearing Lower Cover	ADC12
5	Impeller	PPO+FG
10	Stator	Silicon Steel
11	Rotor & Shaft	SUS410
12	Capacitor	PP
13-1	Bearing (Upper)	CNM5K
13-2	Bearing (Lower)	CNM5K
15	Terminal Box	ABS+V0
17	Mechanical Seal	CA/CE
19	O-Ring	NBR
19-1	Packing	NBR
20	Motor Cooling Fan	NYLON
20-1	Fan Cover	Steel
22	Base	Steel

Specifications

Model	Output		Outlet		Rated		Maximum		Dimension	Weight
	HP	kW	mm	Inch	Head(M)	Flow(l/m)	Head(M)	Flow(l/m)	L x W x H (mm)	Kg
SPA-07	3/4	0.6	50	2"	8	160	14	300	354x182x216	9.5
SPA-10	1	0.75	50	2"	10	200	16	360	354x182x216	10



Hung Pump Group

16 Lien-Ming Street, Ba-De City 334,
 Taoyuan, Taiwan
 TEL:(886) -3-371-3969
 FAX:(886) -3-371-3996
 E-Mail: hungpump@ms9.hinet.net