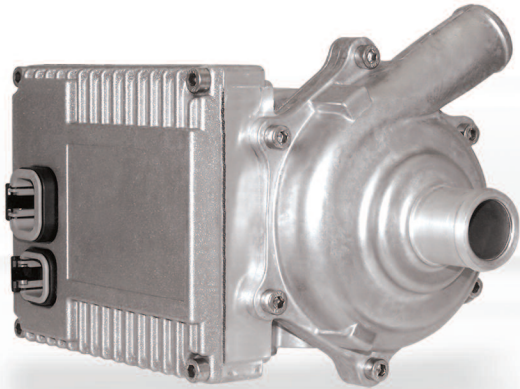


ELECTRIC WATER PUMP

High Performance — Commercial Grade

Designed to Last a Lifetime,
with up to 5X Flow

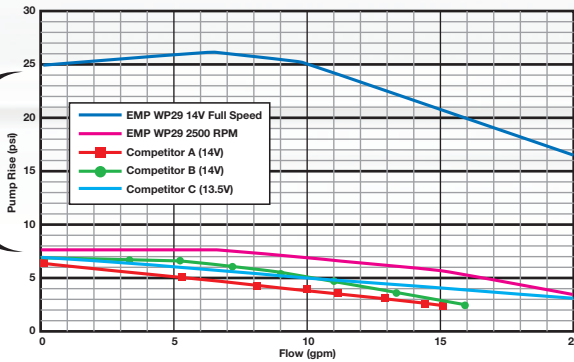
MODEL # WP29



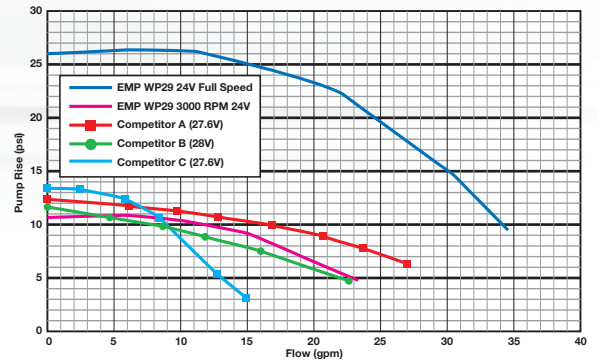
FEATURES & BENEFITS

- Extremely Robust - Long Life Brushless Motor
- High Efficiency
- Flexible Packaging
- Capable of High Flow & Pressure
- Variable Flow Control

Flow -vs- Static Pressure Rise
Competitive Flow Analysis
School Bus Application - 14V Brushless Pumps



Flow -vs- Static Pressure Rise
Competitive Flow Analysis
Transit Bus Application - 24V Brushless Pumps



***EMP WP29 Pump Provides up to 5X Greater Flow than Competition!**

Simply the BEST Electric Water Pump on the Market!

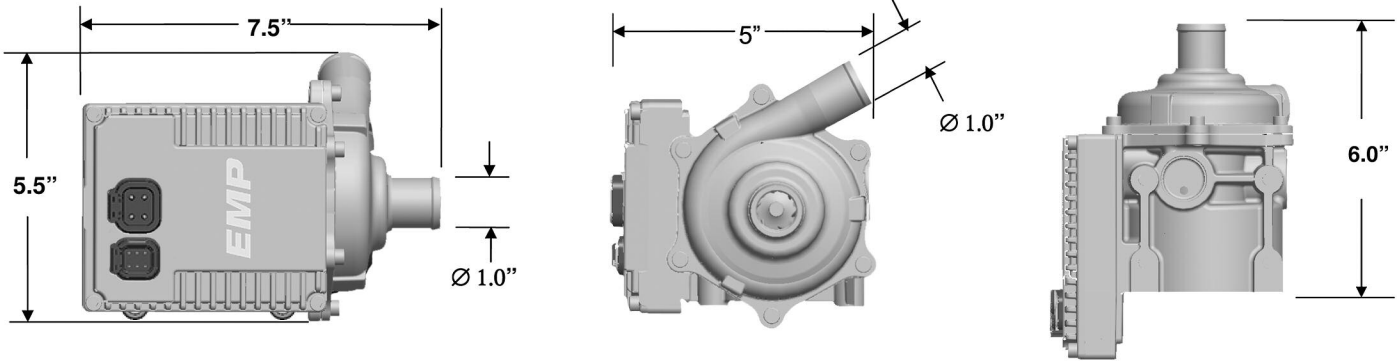


COOLING SOLUTIONS
FOR TODAY & TOMORROW

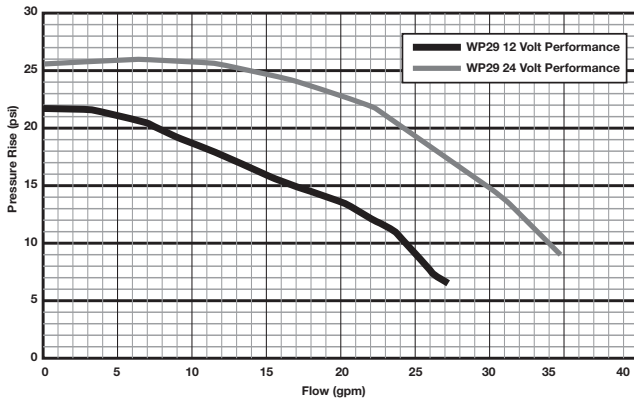


ELECTRIC WATER PUMP SPECIFICATIONS

MODEL# WP29



Static Pressure Rise -vs- Flow
WP29 Performance

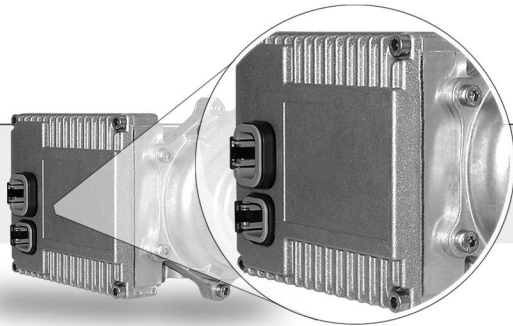


- FEATURES:**
- Fully Controllable or Single Speed
 - High Efficiency
 - 12 or 24 Volt Models
 - Brushless, Sensorless Motor
 - Corrosion and Water Resistant
 - Long Life
 - Compact
 - Ease of Integration
 - Quiet
 - CAN Capable

PUMP SPECIFICATIONS:

Power Supply	12 / 24 VDC
Controller	Integrated
Weight	6.5 lbs.
Inlet Connection	Ø1.0" hose
Outlet Connection	Ø1.0" hose
Target Life	10,000+ hrs.
Temperature Range	-40 to 105° C
Housing Construction	Cast 413 Aluminum

- PRODUCT APPLICATIONS:**
- Jacket Water Cooling
 - Electronics Cooling
 - CAC Cooling
 - EGR Cooling
 - Hydraulic Cooling
 - Secondary Cooling



INTEGRATED WP29 CONTROLLER

SPECIFICATIONS:

Rated Voltage	9 to 32 VDC
Rated Current	20 Amps Continuous @ 105° C
Operating Temperature	-40 to 105° C
Storage Temperature	-40 to 125° C
Fully Controlled or Single Speed	CAN
Power & Enable	DTP06-4S-E003
CAN & RS232	DTM06-6S-E007

Interface

One Channel of CAN (SAE J1939 Compliant)
TTL/SCI 38.4Kps for EMP Service Tool

Features

Diagnostic Capability
Configurable Through EMPower Connect™ Service Tool
Fully Protected (Transients/Short Circuit/Reverse Battery)
Full Variable control by: CAN SAE J1939
Behaves as an On/Off Controller in absence of CAN

Engineering, Manufacturing and Assembly
Leaders in Thermal & Oil Management
Technologies

emp-corp.com

productinfo@emp-corp.com

2701 N. 30th Street, Escanaba, MI 49829
(906) 789-7497

