

Hammelmann Injection Pumps

CALDER

INNOVATION THROUGH EXPERIENCE

PRESSURE SYSTEMS



Methanol

LDHI

Glycol

Asphaltene Inhibitor

Paraffin Inhibitor

Corrosion Inhibitor

Scale Inhibitor

Calder offer a wide range of high pressure pump packages incorporating Hammelmann pumps for the chemical, oil and gas industries. Visit our website.

www.calder.co.uk

www.process-pumps.de

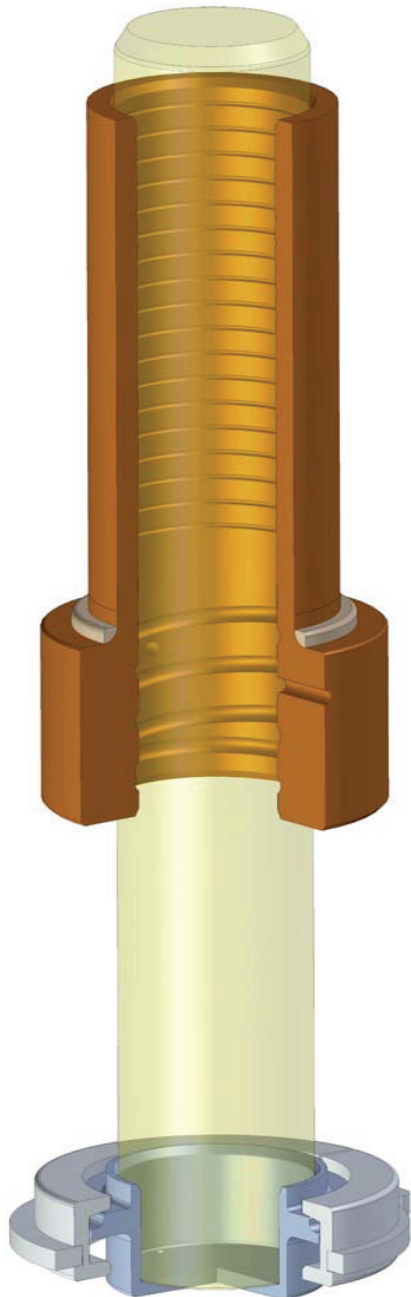
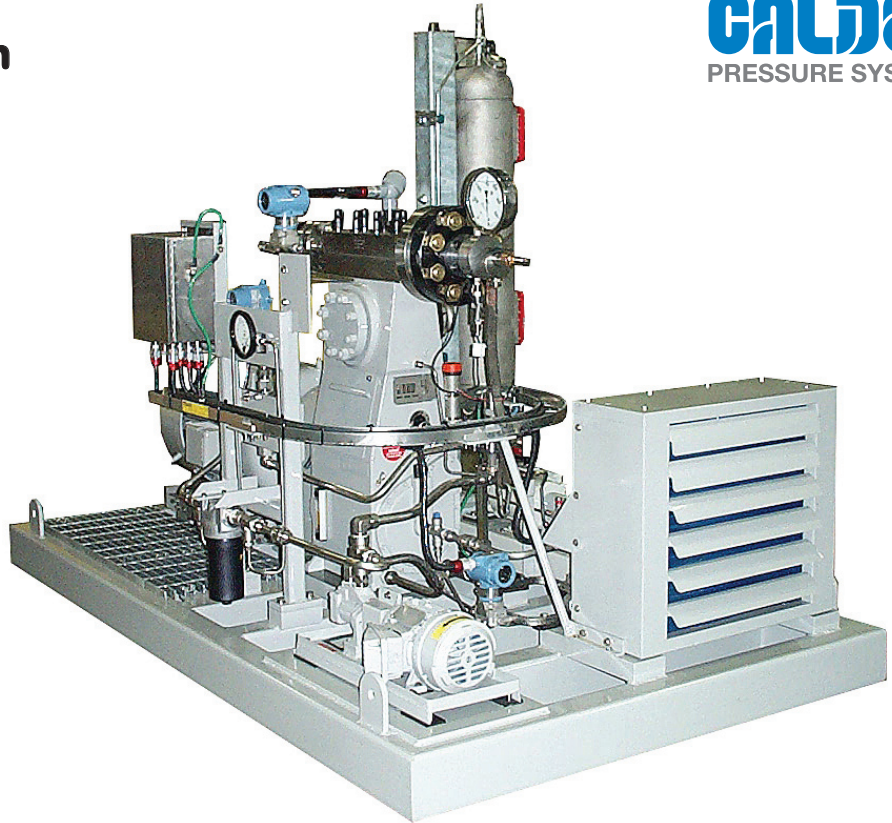
HAMMELMANN[®]

Exclusive sealing system

Labyrinth seal

This seal design which is absolutely unique to Hammelmann enables safe, reliable, continuous duty operation at pressures up to 3800 bar.

The high pressure seal is formed within the minute cylindrical gap between the plunger and the labyrinth insert. The medium pressure is continuously reduced along the sealing surface. A minimum amount of high pressure leakage serving as lubricant is returned to the pump suction chamber.



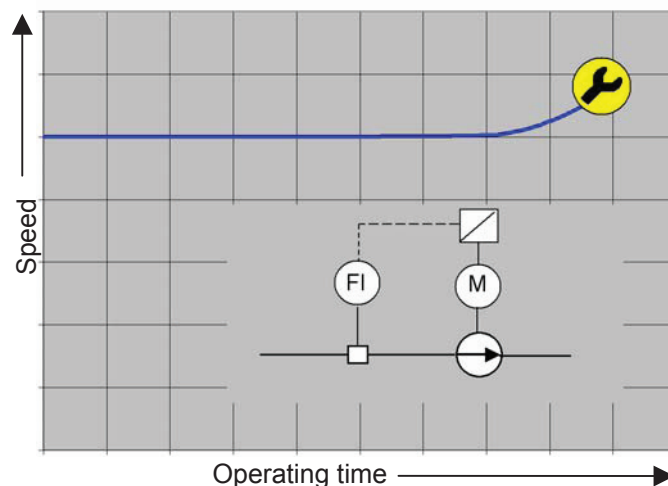
The plunger connection to the power end is self centering thereby drastically reducing sideways forces. This design ensures that there is virtually no contact between the plunger and the labyrinth insert resulting in extremely low component wear.

When the pump unit is shut down the medium remains in the cylindrical gap so that a re-start, even after an extended shut down period is assured.

Wear at the high pressure seal components does not lead to an abrupt breakdown of the pump but rather a gradual decrease in the flow rate. If the pump is driven in a control loop the r.p.m. of the driver will increase in direct proportion to component wear.

We manufacture extremely compact Triplex and Quintuplex pump units for injection of Methanol, LDHI, Glycol and a range of inhibitors.

Hammelmann high pressure pump units in the pressure range up to 15,000 psi (1035 bar) have developed into the standard choice for offshore methanol injection applications with a reputation for extreme reliability and minimal maintenance requirements.

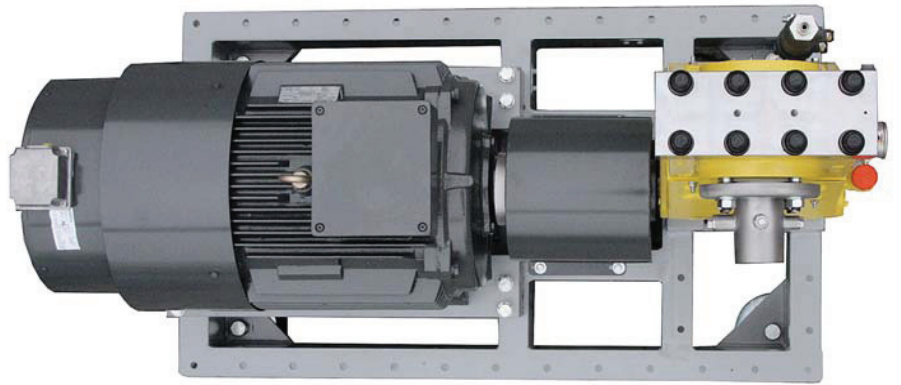


The running speed of the pump is a direct indicator of the extent of wear. This enables long term planning of maintenance intervals and targeting of specific servicing tasks.

Compact construction

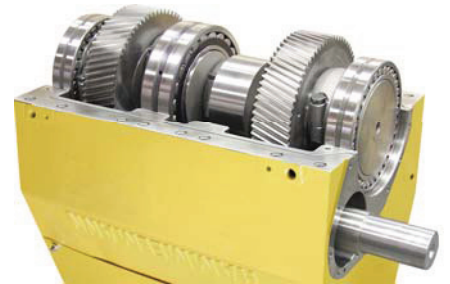
Hammelmann pumps produce maximum performance from a minimal footprint which is the result of combining a compact integral speed reduction gear end with the concept of a vertical configuration.

The vertical configuration channels oscillating forces directly downwards into the base structure. Unwanted lateral oscillations as produced by horizontal pumps do not occur.



The integral speed reducer with twin helical gears arranged in a herring bone configuration ensures smooth running and even power transmission without axially loading the bearings.

A selection of gear ratios is available to allow the optimal choice of driver. The compact construction eliminates the need for an external gear box and prevents rotary oscillation. Mechanical efficiency is in excess of 95%.



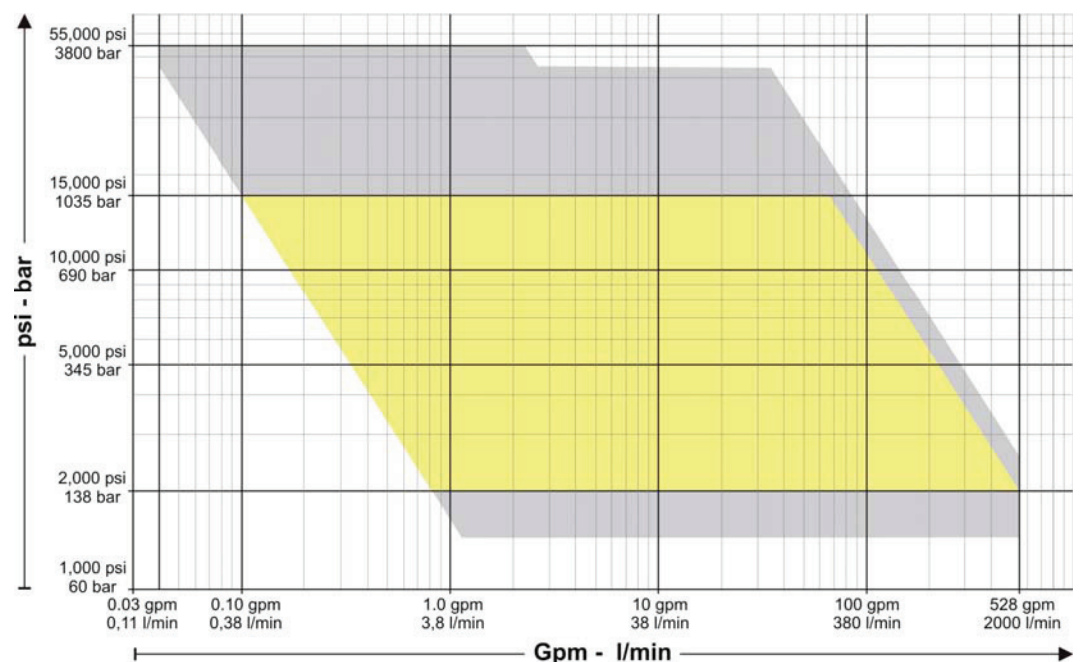
Extensive performance range

With both Triplex and Quintuplex pumps available we can supply a very extensive range of flow rates and operating pressures.

Power ratings
up to 1000 HP
up to 750 kW

Flow rates
up to 530 gpm
up to 2000 l/min

Operating pressures
up to 55,000 psi
up to 3800 bar



Hammelmann pump range

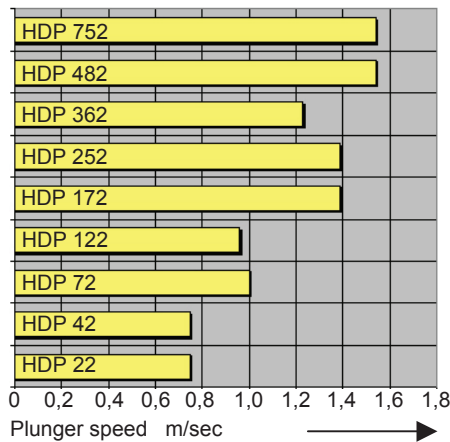
Injection pumps

Industrial pumps, series 2

Features

Series 2 pumps employ the same precision engineered, field proven components as Hammelmann standard production pumps. They are extremely compact with low maintenance costs and high operational efficiency.

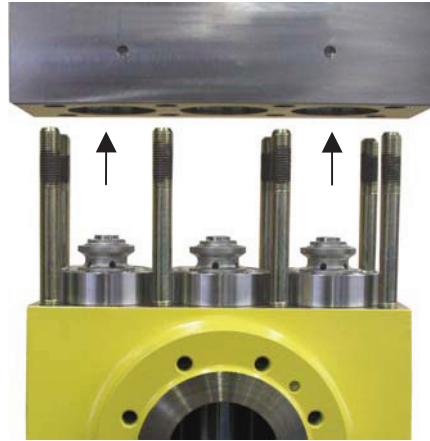
Plunger speed



Moderate plunger speeds result in low plunger and sealing element wear characteristics.

Units

Our high pressure pump units can be supplied with electric motor, a choice of controls, safety valves and suction side/discharge side pulsation dampers.



Maintenance

Pump maintenance is carried out from above. Once the pump head is removed you have complete, uncomplicated access to all high pressure components.

Pump head

The total pressurised fluid product of the individual cylinders collects within a single high pressure discharge bore within the pump head valve block. The coaxial valve arrangement eliminates alternating stress within the valve block.

Suction chamber

The process fluid enters the pump via the suction chamber. This totally encloses the high pressure components in a protective barrier and prevents emission of medium to atmosphere.

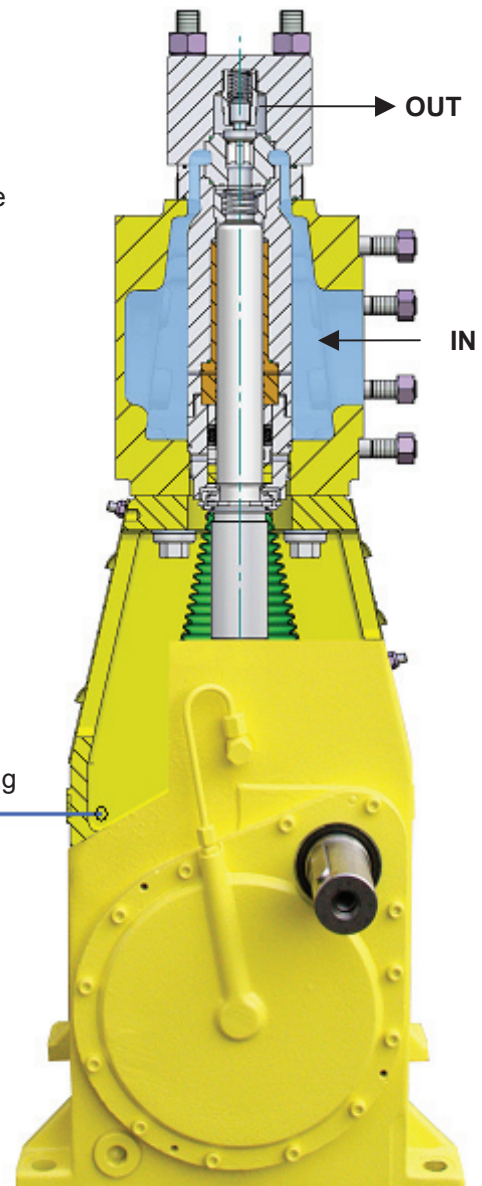
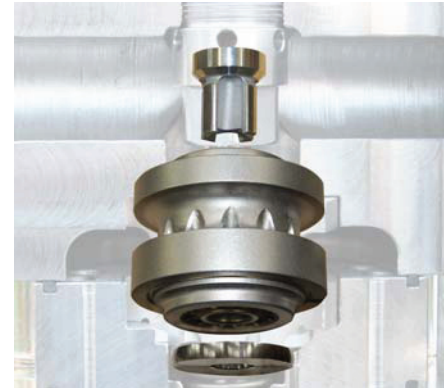
Seal monitoring

The condition of the low pressure seals may be monitored by installing an optional seal monitoring system.

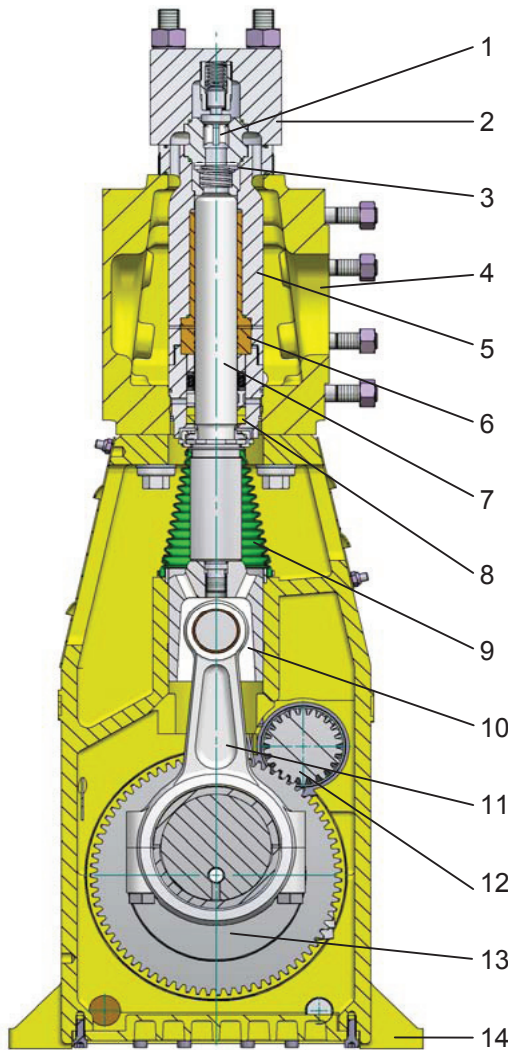


Valves

The suction valve (below) is a disc ring design incorporating a one piece suction and discharge valve seat.



Technical data, Industrial pumps, series 2



Pos.	Part name	Pos.	Part name
1	Discharge valve	8	Low pressure seal pack
2	Valve housing	9	Bellow
3	Suction valve	10	Crosshead
4	Suction chamber	11	Connection rod
5	Sleeve	12	Gear HDP 22/42: belt drive
6	Labyrinth insert	13	Crank shaft
7	Plunger	14	Crank section housing

Wetted parts materials *

	Standard	Option
Plunger	Ceramic	-
Labyrinth insert	Bronze	-
Valve housing	17% Chromium steel	22% Duplex steel
Seals	NBR / Polyamide	FKM / PEEK
Suction chamber	Bronze	18 – 10 Chromium Nickel steel

* Right reserved to make technical modifications

Recommendations and standards

EU Machine directive 98/37/ EU
ATEX 94/9/EU
API 674 (with exceptions)

Performance data, Industrial pumps, series 2 (Selection)

	5,000 psi	345 bar	10,000 psi	690 bar	15,000 psi	1035 bar	Crank speed
HDP 22	D 20	D 15	D 12				750 rpm
	5 gpm 19l/min	2.6 gpm 10 l/min	1.6 gpm 6 l/min				
HDP 42	D 35	D 26	D 20				750 rpm
	15 gpm 60 l/min	8 gpm 31 l/min	4.7 gpm 18 l/min				
HDP 72	D 35	D 26	D 22				750 rpm
	21 gpm 80 l/min	11 gpm 42 l/min	7.4 gpm 28 l/min				
HDP 122	D 55	D 35	D 30				530 rpm
	50 gpm 192 l/min	19 gpm 74 l/min	13 gpm 51 l/min				
HDP 172	D 50	D 35	D 30				555 rpm
	61 gpm 232 l/min	28 gpm 108 l/min	20 gpm 75 l/min				
HDP 252	D 50	D 35	D 30				555 rpm
	102 gpm 387 l/min	47 gpm 181 l/min	32 gpm 124 l/min				
HDP 362	D 80	D 60	D 45				490 rpm
	138 gpm 525 l/min	74 gpm 282 l/min	38 gpm 146 l/min				
HDP 482	D 80	D 60	D 45				465 rpm
	171 gpm 650 l/min	92 gpm 349 l/min	47 gpm 181 l/min				
HDP 752	D 80	D 60	D 45				465 rpm
	285 gpm 1080 l/min	159 gpm 603 l/min	79 gpm 302 l/min				

D = Piston dia [mm]

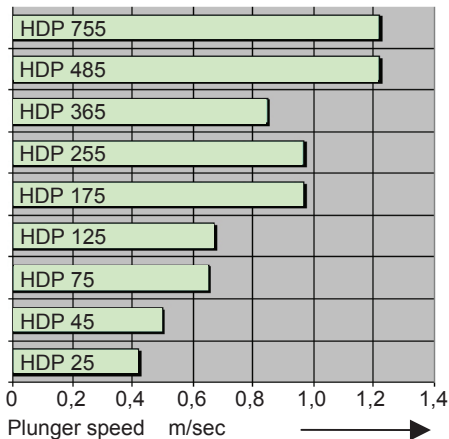
Process pumps, series 5

Features

Series 5 pumps are built to the highest standards of safety and reliability. We can supply components from a wide range of materials to suit the pumped medium.

Our latest variation of this pump series is the **Zero emission** where the pumped fluid is hermetically sealed within the pump, preventing leakage to atmosphere during operation.

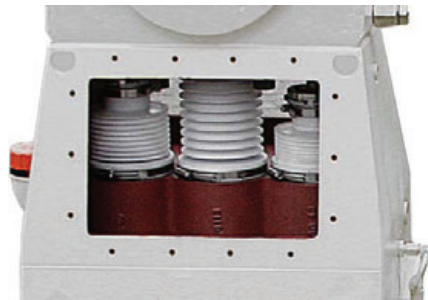
Plunger speed



The series 5 pumps are conservatively rated for power with low plunger speeds ensuring limited wear of plungers and sealing elements.

Units

Your complete pump unit can be outfitted with suction and/or discharge pulsation dampers dimensioned, manufactured, tested and certified to your specification.



Bellows system

The bellows are the hermetic seals for the power end to prevent the intrusion of fluid or gas. They are available in FKM, H-NBR and PTFE.

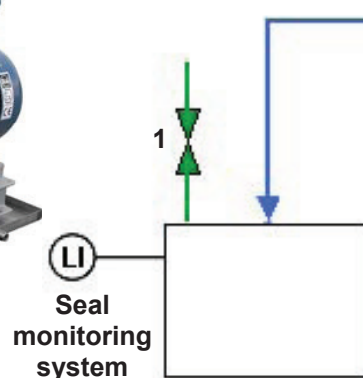


Gas tight design

The intermediate chamber of the pump can be outfitted with gas tight covers which provide a seal to atmosphere. The chamber is then charged with inert gas.

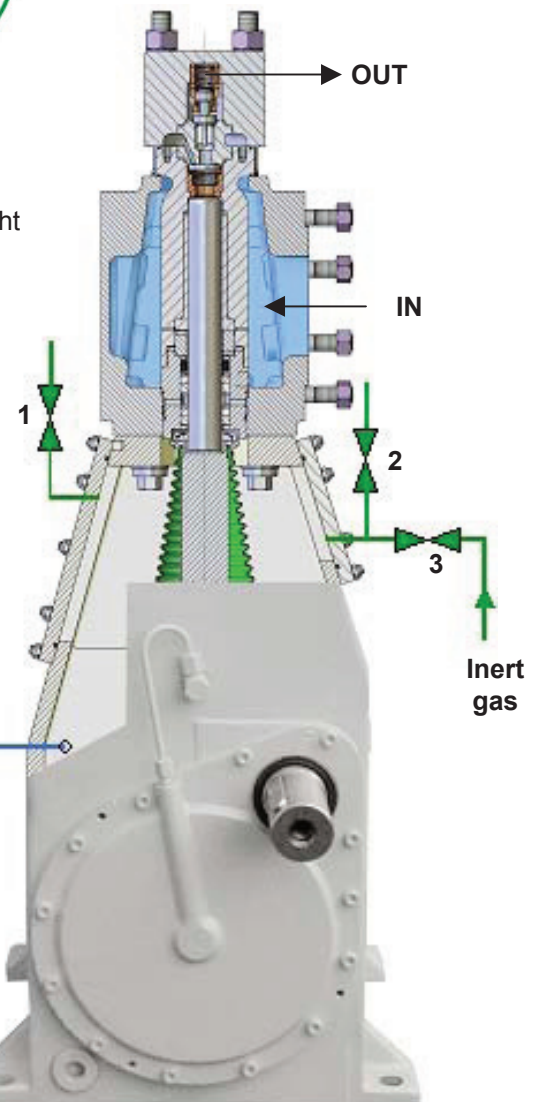
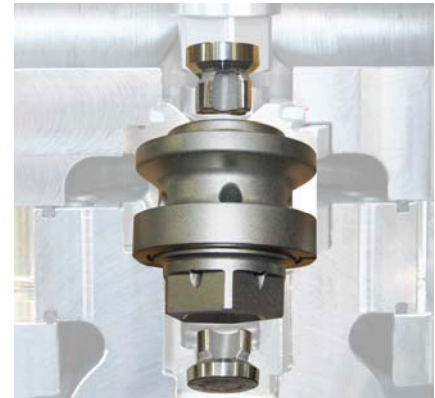
This design ensures that no fluids, vapours or gases can escape to atmosphere via a worn plunger seal.

- 1 = Priming valve
- 2 = Safety valve
- 3 = Pressure regulating valve

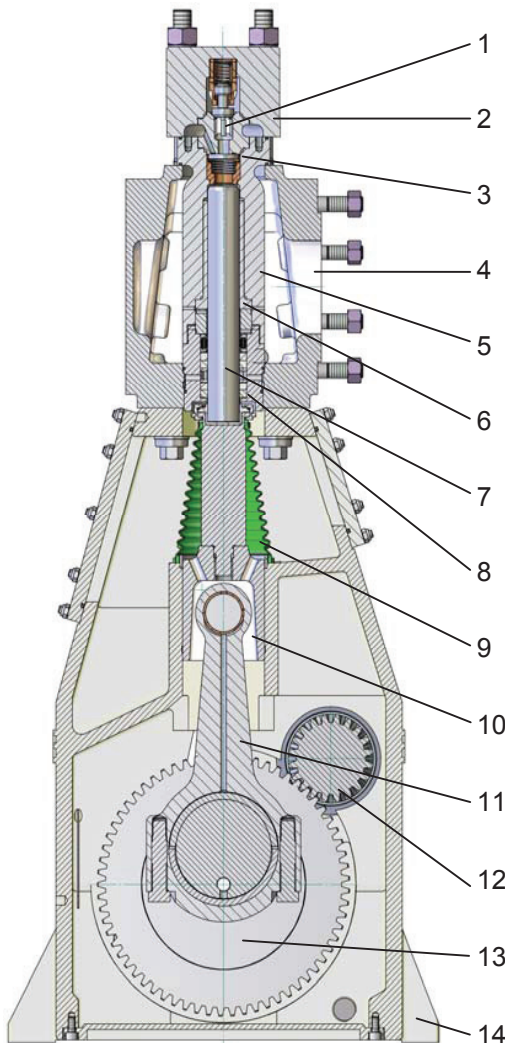


Valves

To ensure that the pump construction is appropriate for the pumped medium we have a number of alternative valve designs available. In the example shown below the suction and discharge valves are conical. The suction and discharge valve seats are combined in one component.



Technical data, Process pumps, series 5



Pos.	Part name	Pos.	Part name
1	Discharge valve	8	Low pressure seal pack
2	Valve housing	9	Bellows
3	Suction valve	10	Crosshead
4	Suction chamber	11	Connection rod
5	Sleeve	12	Gear HDP 25/45: belt drive
6	Labyrinth insert	13	Crank shaft
7	Plunger	14	Crank section housing

Wetted parts materials *

	Standard	Option
Plunger	Ceramic	Tungsten carbide
Labyrinth insert	Bronze	Tungsten carbide
Valve housing	22% Duplex steel	25% Super duplex steel
Seals	NBR / Polyamide	FFKM / PEEK
Suction chamber	18–10 Chromium Nickel steel	25% Super duplex steel

* Right reserved to make technical modifications

Recommendations and standards

EU Machine directive 98/37/ EU
ATEX 94/9/EU
API 674 (with exceptions)

Other customer specified standards, i.e.
NORSK M501
NORSOK M650
NACE MR 0175

Performance data, Process pumps, series 5 (Selection)

	5,000 psi	345 bar	10,000 psi	690 bar	15,000 psi	1035 bar	Crank speed
HDP 25	D 20		D 15		D 12		420 rpm
	2.9 gpm	11 l/min	1.5 gpm	6 l/min	0.9 gpm	3,5 l/min	
HDP 45	D 35		D 26		D 20		500 rpm
	10 gpm	40 l/min	5 gpm	20 l/min	3 gpm	12 l/min	
HDP 75	D 35		D 26		D 22		490 rpm
	13 gpm	52 l/min	7 gpm	28 l/min	5 gpm	19 l/min	
HDP 125	D 55		D 35		D 30		365 rpm
	35 gpm	133 l/min	13 gpm	51 l/min	9 gpm	35 l/min	
HDP 175	D 50		D 35		D 30		385 rpm
	42 gpm	160 l/min	19 gpm	74 l/min	13 gpm	52 l/min	
HDP 255	D 50		D 35		D 30		390 rpm
	71 gpm	270 l/min	33 gpm	126 l/min	23 gpm	87 l/min	
HDP 365	D 80		D 60		D 45		340 rpm
	95 gpm	363 l/min	51 gpm	194 l/min	26 gpm	101 l/min	
HDP 485	D 80		D 60		D 45		365 rpm
	137 gpm	520 l/min	73 gpm	279 l/min	38 gpm	145 l/min	
HDP 755	D 80		D 60		D 45		365 rpm
	229 gpm	867 l/min	127 gpm	483 l/min	63 gpm	242 l/min	

D = Piston dia [mm]

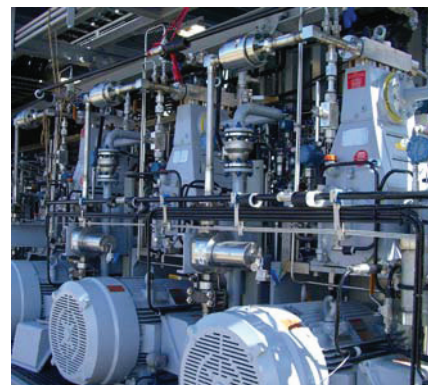
The compact design of Calder pump packages incorporating Hammelmann pumps, offers a space saving advantage for installation on offshore platforms and FPSO's. They are increasingly specified as the pumps of choice for offshore installations.

Round the clock operation

Agbami	Kristin
Aker 1-6	Longhorn
Allegheny	Mad Dog
Anna Platform	Magnolia
Atlantis	Marco Polo
Auger	Max-Stena-Drill
Auger Apit	Mobile Rig
Baton Rouge	Morvin Asgard
Black Widow	Neptune
Brazil	Nile
Brutus/Glider	Noonan
BS4	Norse Marchand
Cabida Block	Panama City
Canyon Express	Pegasus
Conger Salsa	Perdido
Demos	Petrorig
Forvie	Producer
Garden Banks	Scarebo
Garnet	Schahin
Gjoa Semi	Sevan
Groupo R	S. Timbalier
Hickory	Statford B & C
Holstein	Tahiti
Horn Mountain	Talisman
Houma	Tanzanite
Indep. Hub 3	Tarantula
Independence	TMT 1
K2 Green Canyon	Typhon
K-Fels	Ursa-Princess
Kikeh-Gusto	Valifornia
King Kong	West Edrill
Kings Peek	



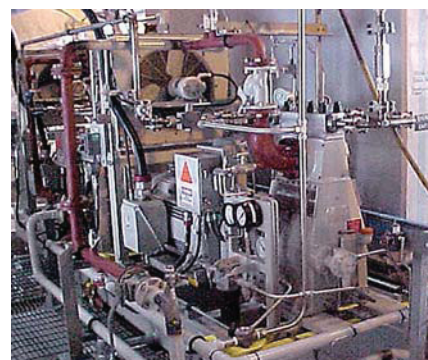
HDP 115 units for methanol duty
Op. pressure 15,000 psi – 1035 bar
Flow rate 1.5 gpm – 6 l/min



HDP 175 units for methanol duty
Op. pressure 5,300 psi – 370 bar
Flow rate 46 gpm – 176 l/min



HDP 72 unit for methanol duty
Op. pressure 12,000 psi – 830 bar
Flow rate 6 gpm – 24 l/min



HDP 122 unit for LDHI duty
Op. pressure 15,000 psi – 1035 bar
Flow rate 7 gpm – 28 l/min



HDP 555 pump unit for glycol and methanol duty
Op. pressure 10,700 psi – 740 bar, Flow rate 87 gpm – 333 l/min



Calder Ltd.

Gregory's Bank
Worcester
WR3 8AB
United Kingdom

Phone: 0044 1905 723 255
Fax: 0044 1905 723 904
pumps@calder.co.uk
www.calder.co.uk

Hammelmann
Maschinenfabrik GmbH

Zum Sundern 13-21
59302 Oelde – Germany

Tel. +45 2522 760
Fax +49 2522 76444
mail@hammelmann.de
www.hammelmann.de