



12 VOLT DC HIGH HEAD WASHDOWN PUMPS

- ▶ **300 Series Investment Cast Stainless Steel, Cast Bronze and Cast Iron with Stainless Steel Impeller Construction**
- ▶ **Viton® Mechanical Seal and O-Ring with Stainless Steel and Bronze Models**
- ▶ **Buna N Mechanical Seal and O-Ring with Cast Iron Models**
- ▶ **Discharge Port Rotates in 90° Increments**
- ▶ **Four Front Drain Plugs**
- ▶ **Max. Working Pressure 150 PSI**
- ▶ **Max. Temperature 200° F**
- ▶ **Max. Flow 56 GPM**
- ▶ **Max. Head 80 Ft. (35 PSI)**
- ▶ **High Efficiency Closed Impeller**
- ▶ **1 HP 12 Volt DC Washdown Duty Motor for Severe Operating Conditions**

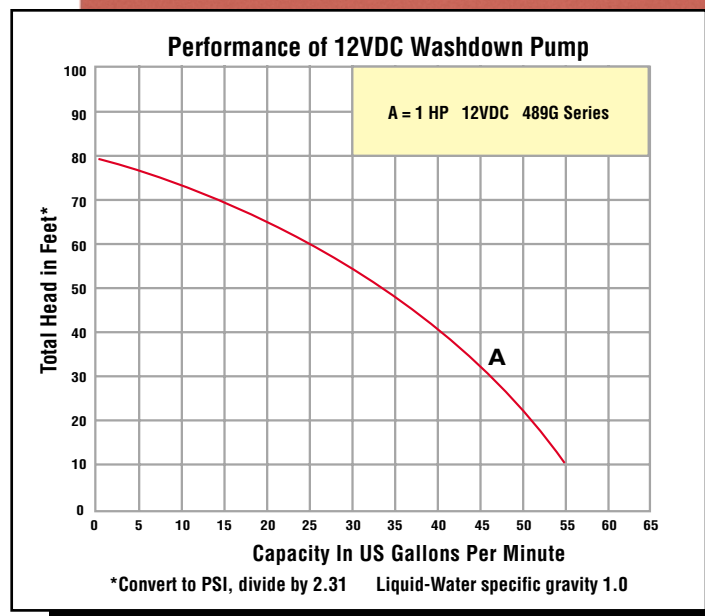


Model 489G-95

AMT 12 Volt DC Washdown pumps are designed for OEM, Septic Service, Pumper and Marine applications requiring a DC motor. The motor has a one hour duty rating and is furnished with a stainless steel shaft. This washdown duty pump is available in a variety of construction and seal materials to meet your specifications. Pull-from-the-rear design for easy servicing without disturbing any piping. High efficiency impeller maximizes performance.

AMT Centrifugal pumps are reliable, cost effective and low maintenance. Many are readily available "Off-the-Shelf" for fast 24 hour shipment. For use with non-flammable liquids compatible with pump component materials.

Viton® is a registered trademark of E.I. DuPont



12 VAC High Head Washdown Pumps

Model	Suc*	Dis*	CP**	D	E	D	H1	H2	L	OP	T1	T2	W1	W2	X	Y	Z
489G-95																	
489G-97	1-1/4"	1"	16.2	3.5	2.44	3.00	0.88	0.3	7.3	8.2	3.7	4.7	3.5	4.4	4.7	2.1	3.35
489G-98																	

(* Standard NPT (female Pipe thread)

(**) This dimension may vary due to motor manufacturer's specifications

NOTE: Dimensions have a tolerance of $\pm 1/8"$

NOTE: Electric supply for ALL motors must be within $\pm 10%$ of nameplate voltage rating (Ex. 230V $\pm 10%$ = 207 to 253)

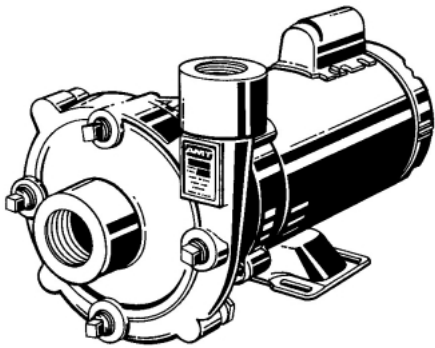
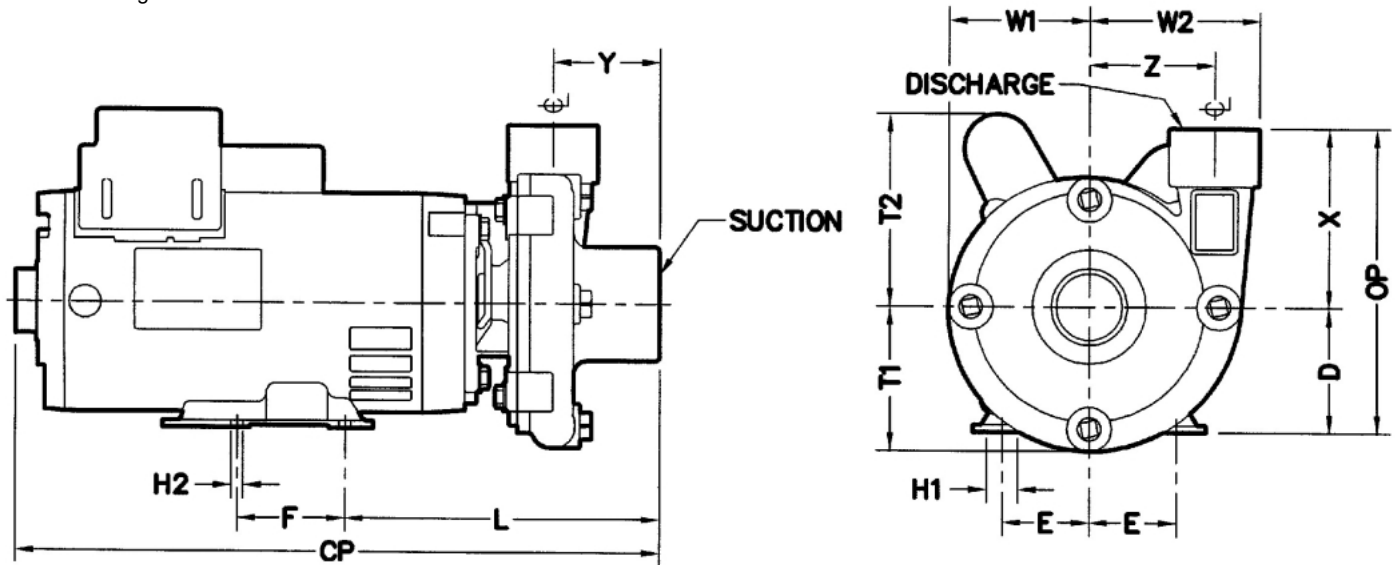
When Ordering Add the Correct -9x Suffix to Model Number Indicating Material Selection

XCI (-95) = Cast Iron Construction with SS Impeller and Buna-N Seals; Max. Temperature 180° F; Ship Wt. 57 lbs.

XB (-97) = Cast Bronze with SS impeller Construction with Viton® Seals; Max. Temperature 200° F; Ship Wt. 58 lbs.

XSS (-98) = Stainless Steel Construction with Viton® Seals; Max. Temperature 200° F; Ship Wt. 57 lbs.

Viton® is a registered trademark of E. I. DuPont



Standard Features

- 300 Series Investment Cast Stainless Steel, Bronze & Cast Iron Construction
- Buna-N or Viton® Mechanical Seal & O-Rings Depending on Model
- Stainless Steel Hardware
- 12 VDC 1 HP Washdown Duty Motor with Stainless Steel Shaft
- Stainless Steel Impeller
- High Efficiency Closed impeller
- Discharge Rotates in 90° Increments
- Max Working Pressure 150 PSI
- Max Temperature 200° F (Viton®), 180° F (Buna N)
- Four Front Drain Plugs Located 90° Apart
- **"Off-the-Shelf"** Availability