

## FH series

The FH Series Jet Pumps provide best-in-class performance for shallow wells up to 25' deep. Designed for the professional contractor with heavy-duty cast iron construction, Noryl® internals, A.O. Smith 2-compartment motors and Square-D pressure switches for years of extended service. Available in 1/2 and 3/4 HP models.



### application

Ideal for homes, farms and cottages.

### specifications

**Pump Case** – Close-grained cast iron

**Diffuser** – Reinforced Polypropylene

**Seal Plate** – Close-grained cast iron

**Impeller** – Noryl®

**Mechanical Shaft Seal, Type 6** – Buna-N, Carbon, Ceramic, 18-8 stainless steel

**Nozzle** – Delrin® (Acetal)

**Venturi Tube** – Delrin® (Acetal)

**1/4" NPT Pipe Plug** – Zinc plated steel

**Mounting Base** – Steel

- ▶ **Precision Molded Noryl® Impeller with 300 grade Stainless Insert** – High performance and efficiency with high strength for longevity
- ▶ **Precision Molded Reinforced Polypropylene Diffuser, Nozzle and Venturi** – High performance and efficiency with superior abrasion resistance
- ▶ **Cast Iron Pump Case with 1-1/4" Suction and 1" Discharge Ports, Two 1/4" Auxiliary Pressure Ports and Cleanout Plug** – Facilitates plumbing of accessories and easy access to nozzle for cleanout
- ▶ **Rugged Cast Iron Seal Plate** – Positive alignment between pump case and motor
- ▶ **Factory Installed Square D Pressure Switch with Fixed 20 lb. Differential and 1/4" FNPT Port** – Industry standard switch is easily field replaceable
- ▶ **A.O. Smith Brand 2-compartment Motors Standard on All Models** – Industry standard motor is backed by nationwide authorized service centers for dependability
- ▶ **Every Pump Unit is Factory Tested** – Peace of mind for you and your customer

### ordering information

Order Number	Catalog Number	HP	Length	Approx. Wt. Lbs.
FH50S	03064	1/2	18-1/4	39
FH50	03065	1/2	18-5/8	40
FHP50	03066	1/2	18-5/8	40
FH75	03067	3/4	19-1/4	40

### certification

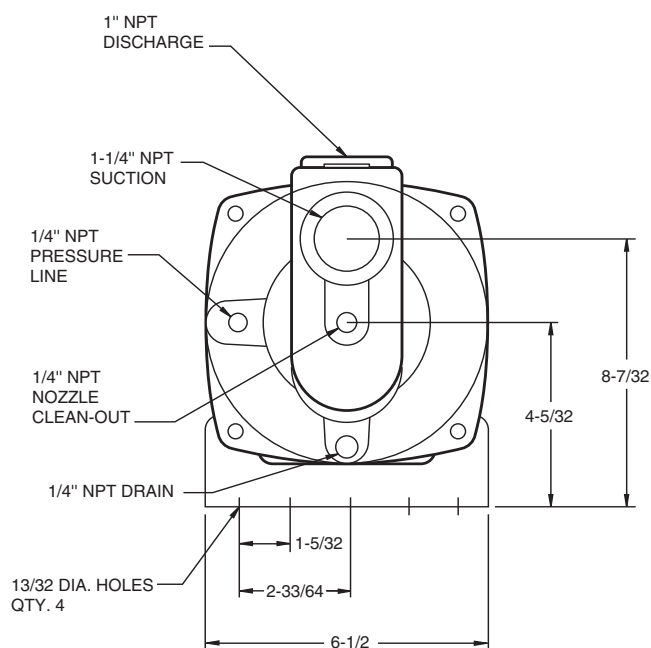
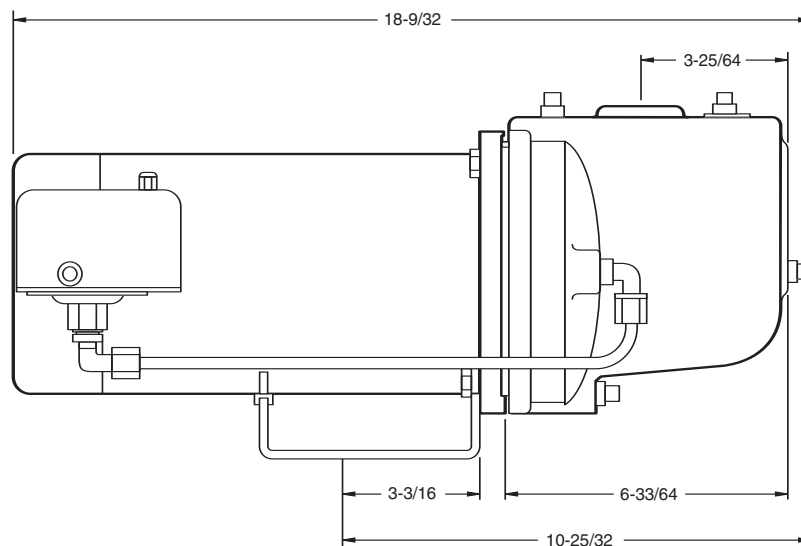


This product is Listed to UL and CSA Standards for Safety by CSA International.

*Delrin® is a registered trademark of E.I. DuPont de Nemours and Co. Noryl® is a registered trademark of General Electric Co. Thermax™ is a trademark of WICOR Industries.*

## FH series

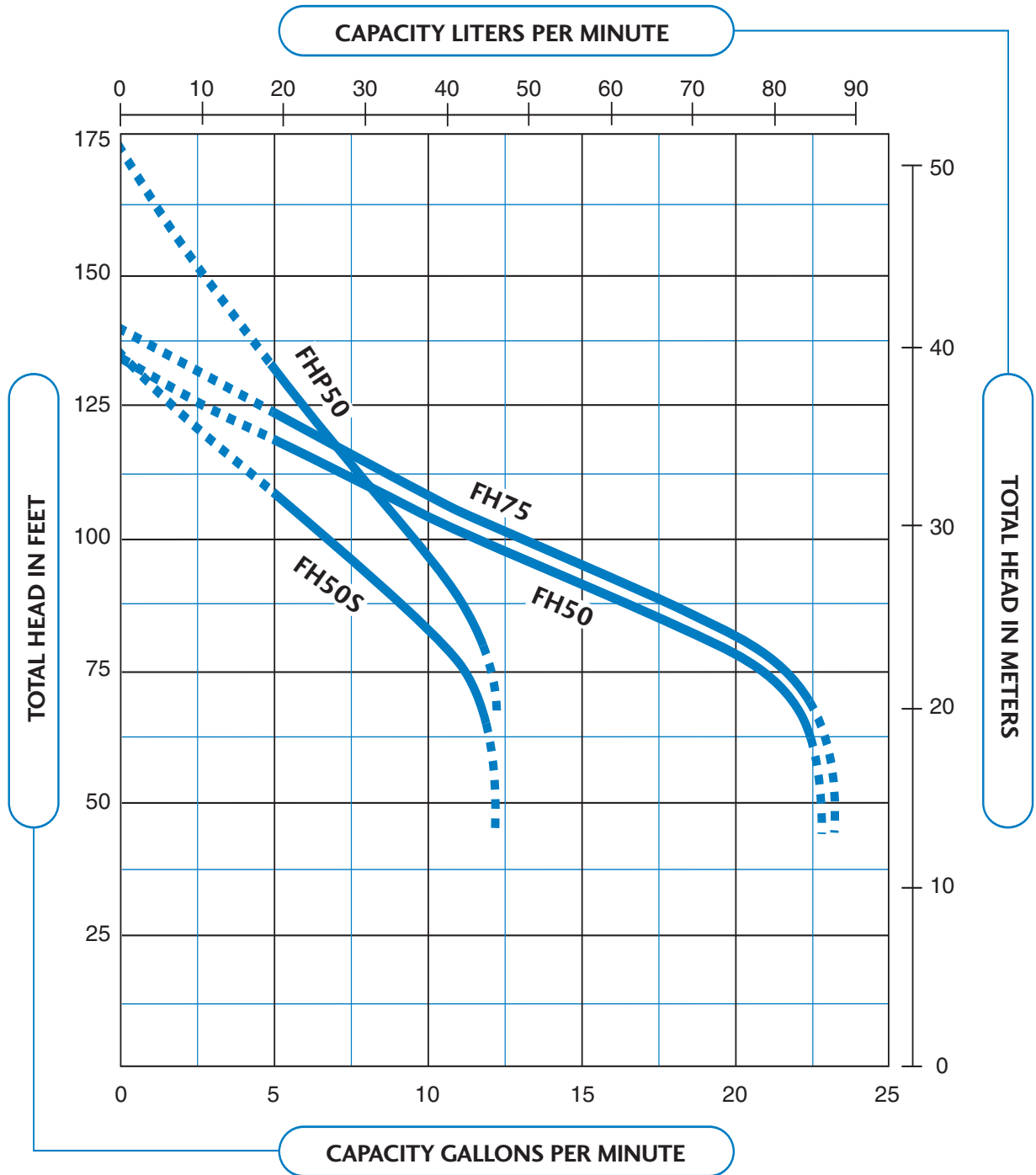
## outline dimensions



Dimensions (in inches) are for estimating purposes only.

## FH series

### pump performance



## FH series

### pump performance

Pumping capacities in gallons per minute at indicated discharge pressures in pounds per square inch.

HP	Catalog Number	Total Suction Lift - Ft.	Discharge Pressure – PSI											Shut Off PSI	
			20	25	30	35	40	45	50	55	60	65	70		75
1/2	FH50S	5	11.8	11.8	11.8	11.0	7.9	5.8	4.0	2.3					62.0
		10	10.3	10.2	10.1	9.2	7.0	5.0	3.2	1.5					59.8
		15	8.8	8.7	8.6	8.1	6.2	4.2	2.5	0.8					57.7
		20	7.9	7.8	7.7	7.1	5.1	3.3	1.7						55.5
		25	7.0	7.0	6.9	6.2	4.3	2.6	1.0						53.4
1/2	FH50	5	22.5	22.4	22.0	20.6	16.4	12.0	8.0	4.4					61.0
		10	19.5	19.3	19.0	17.8	14.5	10.4	6.5	2.8					58.8
		15	16.6	16.3	16.0	15.3	13.3	9.0	5.2	1.4					56.7
		20	14.0	13.8	13.6	13.2	11.4	7.3	3.5						54.5
		25	11.4	11.4	11.3	11.2	9.8	5.8	2.0						52.4
1/2	FHP50	5	–	–	11.7	11.3	10.8	9.7	7.7	6.0	4.5	3.2	1.9	0.7	78.0
		10	–	–	9.9	9.7	9.2	8.4	6.8	5.3	3.9	2.6	1.3		75.9
		15	–	–	8.1	8.1	8.0	7.7	6.0	4.6	3.2	2.0	0.8		73.7
		20	–	–	6.7	6.7	6.6	6.4	5.4	4.0	2.7	1.5			71.5
		25	–	–	5.4	5.4	5.3	5.2	4.8	3.7	2.2	1.0			69.4
3/4	FH75	5	22.8	22.6	22.2	20.2	16.3	12.7	9.1	5.6	2.2				63.0
		10	20.6	20.4	20.1	18.6	15.0	11.4	7.7	4.1	0.8				60.8
		15	18.4	18.3	18.1	17.3	13.8	10.0	6.2	2.6					58.7
		20	15.2	15.0	14.8	14.6	12.1	8.4	4.6	1.2					56.5
		25	12.3	12.2	12.1	12.0	10.8	6.9	3.2						54.4