

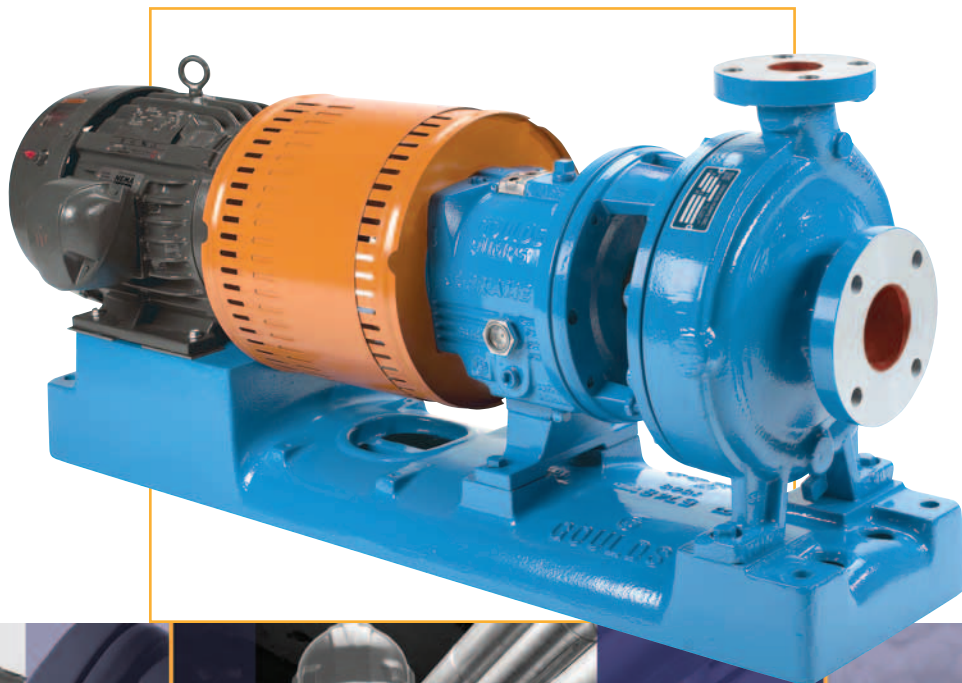


ITT

Goulds Pumps

# Goulds 3196 *i-FRAME*<sup>™</sup>

Process Pump with *i-ALERT*<sup>™</sup>  
Patented Intelligent Monitoring



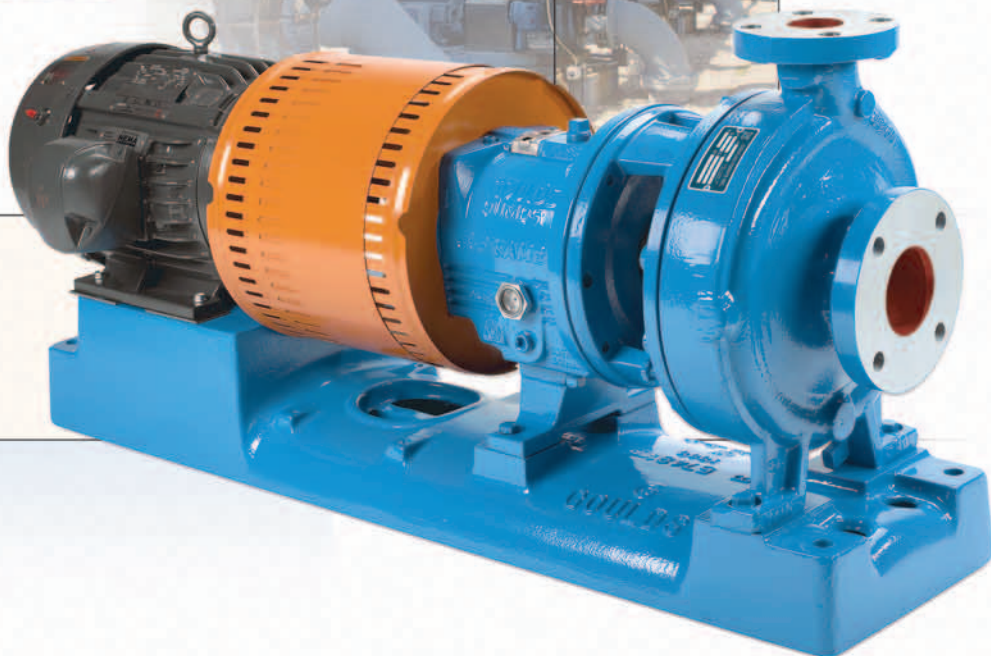
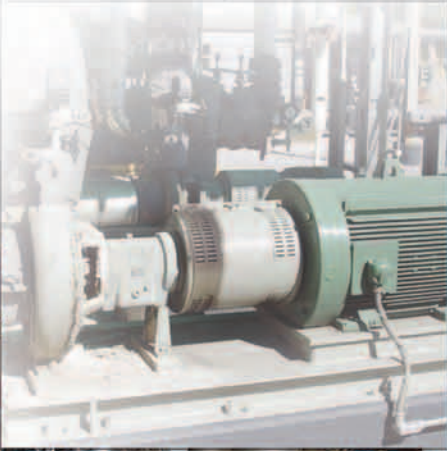
*Engineered for life*

## Proven Performance...

## Over One Million Process Pump Installations Worldwide

When the Goulds 3196 ANSI Standard Dimension Process Pump was first introduced in 1961, it immediately became the standard for the industry.

Today, the number of installations attest to its remarkable performance. Users in chemical, petrochemical, pulp & paper, primary metals, food & beverage and general industries know they can make no better choice than the best — Goulds Model 3196.

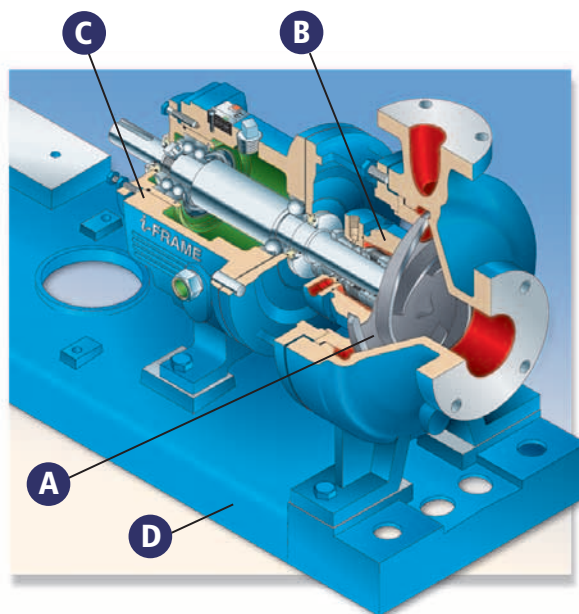


# Before Selecting A Process Pump

## Consider the Four Design Features For Extended Pump Performance

In order to select a chemical process pump wisely, consideration must be given to design features that provide long-term reliable performance. The pump must be designed for optimum shaft seal and bearing life to prevent the failure of these two primary causes of pump downtime.

- A IMPELLER**  
Must be designed for long-term, maintainable performance and minimum hydraulic loads for maximum reliability.
- B SEAL CHAMBER**  
Must be designed for favorable seal environment — proper heat dissipation and lubrication of seal faces. The design must also be able to handle tough services: liquids containing solids, air or vapors.
- C POWER END**  
Must be designed for optimum bearing life, effective oil cooling, and minimum shaft deflection. Onboard condition monitoring provides early warning of potential failures, before they occur.
- D BASEPLATE**  
Must be rigid, and able to withstand forces and moments of plant piping systems.



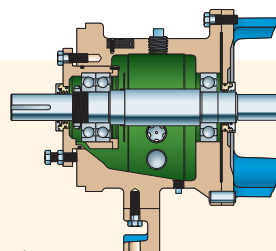
### FULLY OPEN IMPELLER

Best design for the Chemical Process Industries services. Ideally suited for corrosives and abrasives, handles solids and stringy fibers with ease. Allows for simple restoration of clearances when wear takes place. Back pump-out vanes reduce pressure on the shaft seal, reduce axial thrust on the bearings.



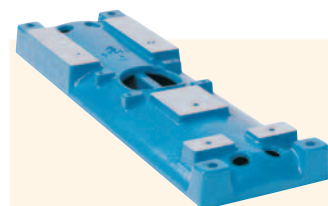
### ENGINEERED SEAL CHAMBERS

BigBore™ and patented TaperBore™ PLUS seal chambers allow seals to run cooler with better face lubrication. Keep solids, air and vapors away from the seal faces for extended seal life.



### *i*-FRAME POWER ENDS

Patented design maximizes reliability and MTBF (Mean Time Between Failure). Severe-duty bearings increase bearing life 2-5 times, while onboard condition monitor gives visible indication of general pump health. Backed by a five-year standard warranty.



### PUMP MOUNTING SYSTEM

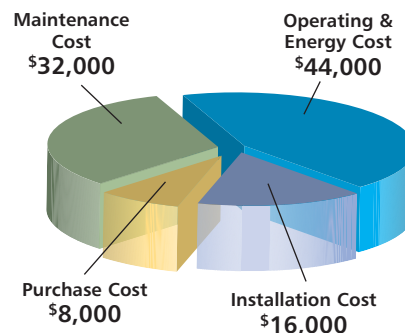
Critical for reliability... rigid baseplate prevents distortion, maintaining pump/motor alignment; corrosion resistant in severe environments. Designed for low vibration and to withstand pipe loads. Meets total range of plant requirements, easier installation and maintenance.

## Consider the Total Cost of Ownership

Consider the fact that over a 20-year ANSI pump life, 92% of the total costs are maintenance, operation and installation. Only 8% is the initial pump purchase cost.

Select a process pump that maximizes reliability (low maintenance cost), has long-term maintainable hydraulic performance (low operating cost) and is installed on a rigid baseplate.

Energy and maintenance costs during the life of a process pump can be more than 10 times its purchase price.



# Fully Open Impeller

## Acknowledged Best Design for CPI Services

The open impeller is the acknowledged best design for process services. It is ideally suited for corrosives/erosives, liquids containing solids and stringy materials. The most reliable pumps feature open impellers as standard.



Open Impeller

Enclosed-type Impeller

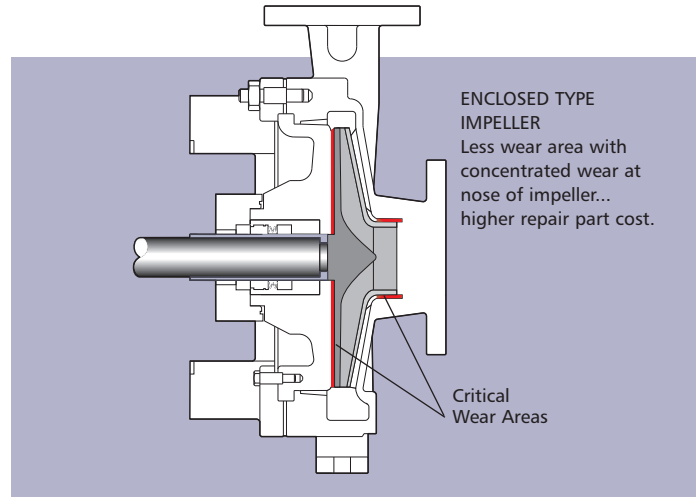
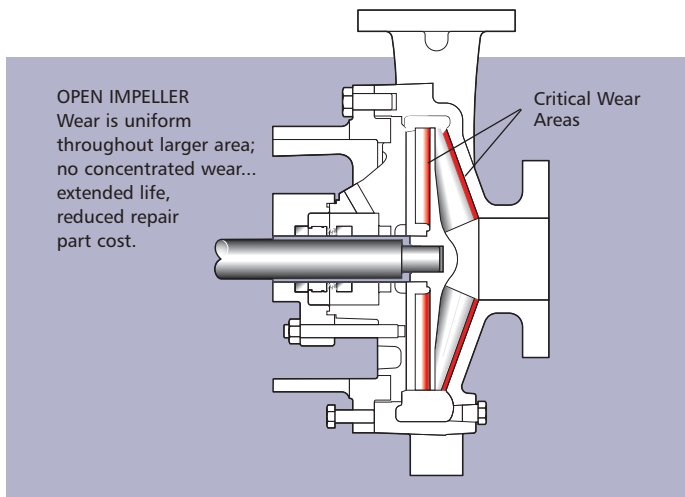
## See The Difference

Remarkably, Goulds had performance in mind when the Model 3196 standard dimension process pump was developed in 1959. Of timely significance was the decision to feature a fully open impeller rather than an enclosed type. There are three excellent reasons why:

- 1 Greater wear area for longer life
- 2 Renewable performance for reduced repair costs
- 3 Minimum hydraulic loads for maximum mechanical reliability

# 1 Two Times More Wear Area Longer Life, Reduced Repair Costs

The most critical wear areas of a pump are the casing and stuffing box/seal chamber clearances. At a given wear rate, the larger wear area means longer life.

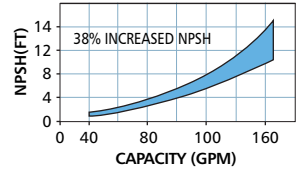
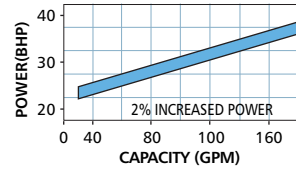
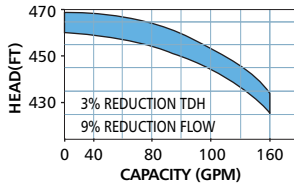


**Wear Area Calculation (10 inch dia. impeller)**  
 Area Wear Surface =  $\pi r^2 = \pi(5)^2 = 79 \text{ in}^2$   
 Total Wear Area (Front & Back) =  $2 \times 79 = 158 \text{ in}^2$

Area Nose Ring =  $2 \pi r W = 2 \times \pi \times (.9) (.9) = 5 \text{ in}^2$   
 Area Back Cover =  $\pi r^2 = \pi(5)^2 = 79 \text{ in}^2$   
 Total Wear Area =  $5 + 79 = 84 \text{ in}^2$

## 2 Maintained High-Performance Long Pump Life

It is common knowledge that as a pump wears, the performance decreases. Goolds open impeller can be adjusted, simply and quickly, to compensate for wear and renew performance. The enclosed type impeller cannot be adjusted. Performance renewal requires new or repaired casing and impeller.



Typical reduction in performance due to wear (.010 inch per year) on any ANSI pump.

**OPEN IMPELLER**  
Original performance can be re-set (at the bench or on-site) with external impeller adjustment using a common open-end wrench and feeler gauge. *It is done in a matter of minutes.*

VS.

**ENCLOSED TYPE IMPELLER**  
Front nose ring of impeller cannot be adjusted to provide 'as new' performance. Parts must be replaced or repaired.

## 3 Minimum Hydraulic Loads Extended Seal and Bearing Life

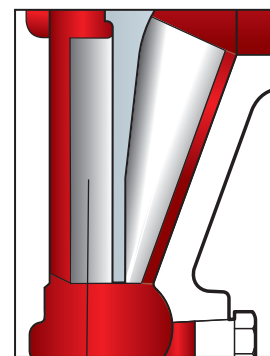
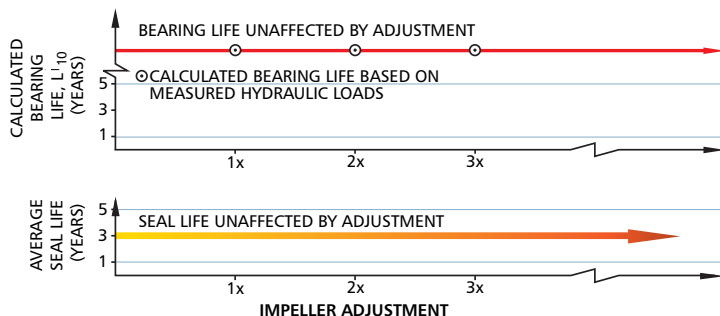
Goolds open impeller is engineered to assure minimum radial and axial thrust loads; controlled clearances between front and back of impeller minimize radial loads; back pump-out vanes control and reduce axial thrust. Bearing life is guaranteed.

### Engineered For Long Life

Back vane height/angle and shroud design are engineered to minimize hydraulic loads throughout the life of the pump. Bearing life is guaranteed.

As the open impeller is adjusted and performance renewed, back pump-out vanes control axial thrust.

Bearing and seal life are maintained — unaffected by adjustment.



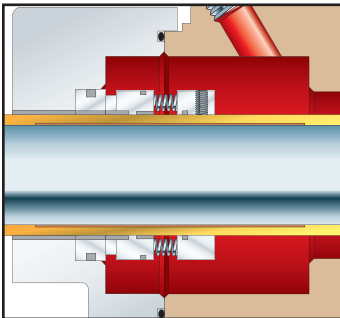
BACK PUMP-OUT VANES

- Control Axial Thrust
- Low Radial Loads
- Control Seal Chamber Pressure
- ↓
- Guaranteed Bearing Life
- Extended Seal Life

# Goulds Engineered Seal Chambers

## Extend Seal Life And Lower Maintenance Costs

### SEAL ENVIRONMENT IS CRITICAL FOR EXTENDED SEAL LIFE



The number one cause of pump downtime is failure of the shaft seal. These failures are normally the result of an unfavorable seal environment such as improper heat dissipation (cooling), poor lubrication of the seal faces, or seals operating in liquids containing solids, air or vapors.

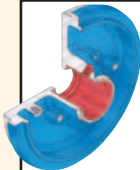
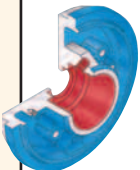
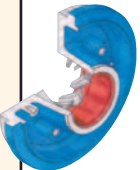
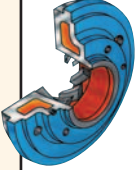
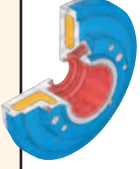
Goulds engineered seal chambers are designed to provide the best seal environment for any sealing arrangement.

Enlarged bore seal chambers (BigBore™ and patented TaperBore™ PLUS) with increased radial clearance between the mechanical seal and seal chamber provide better circulation of liquid to and from seal faces. Improved lubrication and heat removal extend seal life and pump uptime.

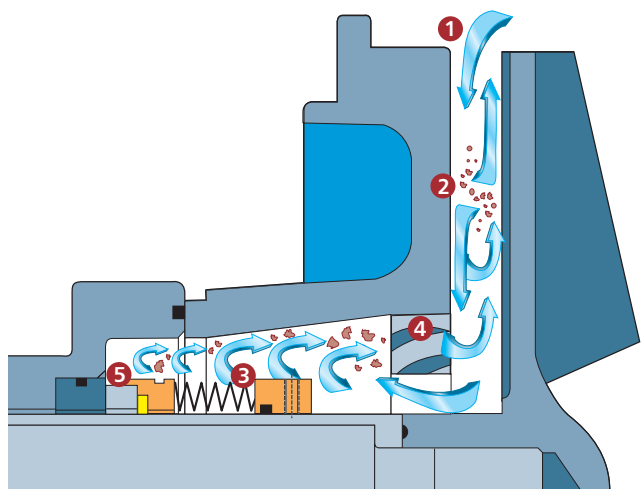
The bottom line is lower maintenance costs.

## Engineered Seal Chamber Selection Guide

- A** Ideally suited
- B** Acceptable
- C** Not Recommended

	Service												
	Water-Based Liquids with Flush	Entrained Air or Vapor	Solids 0-10%, no Flush	Solids Greater than 10% with Flush	Paper Stock 0-5%, no Flush	Paper Stock 0-5%, with Flush	Slurries 0-5%, no Flush	High Boiling Point Liquids, no Flush	Temperature Control	Self-Venting and Draining	Seal Face Heat Removal	Molten or Polymerized Liquid, no Flush	Molten or Polymerized Liquid with Flush
 <p><b>Standard Bore</b> Designed for packing. Also accommodates mechanical seals.</p>	A	C	C	B	C	B	C	C	C	C	C	C	C
 <p><b>BigBore™</b> Enlarged chamber for increased seal life through improved lubrication and cooling.</p>	A	B	C	A	C	A	C	C	C	B	A	C	C
 <p><b>Patented TaperBore™ PLUS</b> Lower seal face temperatures, self-venting and draining. Solids and vapors circulated away from seal faces.</p>	A	A	A	C	A	—	A	A	C	A	A	C	C
 <p><b>Jacketed Patented TaperBore™ PLUS</b> Maintains proper temperature control (heating or cooling) of seal environment.</p>	A	A	A	C	—	—	A	A	A	A	A	A	A
 <p><b>Jacketed BigBore™</b> Maintains proper temperature control (heating or cooling) of seal environment.</p>	A	B	C	A	—	—	C	C	A	C	A	A	A

# Goulds Patented\* TaperBore™ PLUS



\*U.S. Patent No. 5,336,048

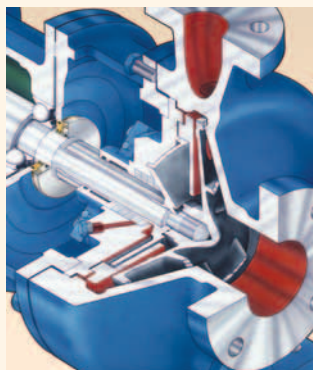
## How It Works

The unique flow path created by the patented Vane Particle Ejector directs solids away from the mechanical seal, not towards the seal as with other tapered bore designs. And, the amount of solids entering the bore is minimized. Air and vapors are also efficiently removed.

On services with or without solids, air or vapors, Goulds patented TaperBore™ PLUS is the effective solution for extended seal and pump life and lower maintenance costs.

- 1 Solids/liquid mixture flows toward mechanical seal/seal chamber.
- 2 Turbulent zone. Some solids continue to flow toward shaft.
- 3 Other solids are forced back out by centrifugal force (generated by back pump-out vanes).
- 4 Clear liquid continues to move toward mechanical seal faces. Solids, air, vapors flow away from seal.
- 5 Low pressure zone created by Vane Particle Ejector. Solids, air, vapor liquid mixture exit seal chamber bore.
- 6 Flow in patented TaperBore™ PLUS seal chamber assures efficient heat removal (cooling) and lubrication. Seal face heat is dissipated. Seal faces are continuously flushed with clean liquid.

## Goulds Dynamic Seal Eliminate Sealing Problems, Reduce Maintenance Costs

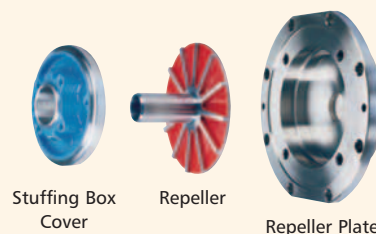


On tough pumping services, especially corrosives and slurries, mechanical seals require outside flush and constant, costly attention. Even then, seal failures are common, resulting in downtime.

Goulds offers a solution: The Dynamic Seal which, simply by fitting a repeller between the stuffing box cover and impeller, eliminates the need for a mechanical seal.

### BENEFITS OF DYNAMIC SEAL:

- Eliminate use of seal water
- Eliminate pumpage contamination and product dilution
- Reduce utility cost
- Eliminate problems associated with piping from a remote source
- Eliminate need to treat seal water
- Considerably less expensive than a slurry mechanical seal



Besides being available as a complete unit, any Goulds 3196 can be easily field-converted to Dynamic Seal. Retrofit kits are available.

## Sealless Solutions

Not all process pump applications can be sealed with optimum reliability. Goulds ANSI dimensional magnetic drive sealless process pumps are perfect solutions to mechanical seal or environmental sealing problems. The 3296 EZMAG metal magnetic drive process pump has a revolutionary bearing cartridge design for maximum reliability and ease of maintenance. For tough corrosive services Goulds also offers ETFE® and PFA-lined magnetic drives available in horizontal, vertical or self-priming configurations to meet all your process needs.



Model 3296 EZMAG

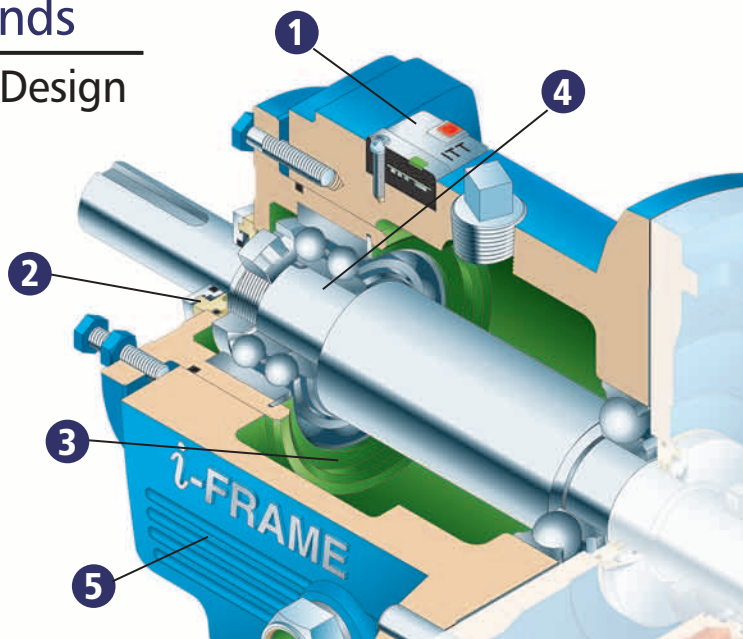
Model 3298

Model V3298

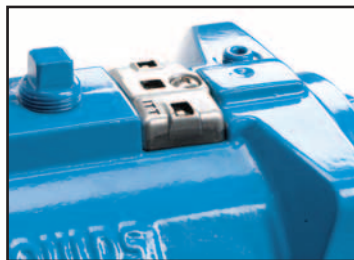
# Goulds Patented *i-FRAME*™ Power Ends

## Extended Pump Life Through Intelligent Design

Goulds *i-FRAME* Power Ends are the result of 160 years of design experience, customer interaction, and continuous improvement. Customers get extended Mean Time Between Failure (MTBF) and lower life cycle costs (LCC)... guaranteed!

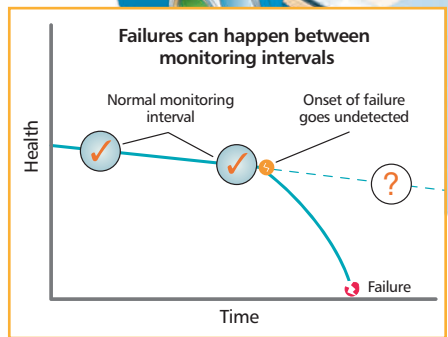


### 1 Patented *i-ALERT*™ Condition Monitor



The heart of the *i-FRAME*, the *i-ALERT* condition monitor unit continuously measures vibration and temperature at the thrust bearing and automatically indicates when pre-set levels of vibration and temperature have been exceeded, so that changes to the process or machine can be made before failure occurs.

A visual indication of pump health makes walk-around inspections more efficient and accurate. The result is a more robust process to monitor and maintain all your ANSI pumps so that your plant profitability is maximized.



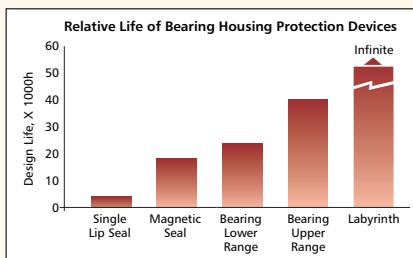
A reliability program centered around walk-arounds captures equipment condition on average once a month; the failure process, however, can begin and end quite frequently within this time period.

### 2 Inpro VBXX-D Hybrid Bearing Isolators

Most bearings fail before reaching their potential life. They fail for a variety of reasons, including contamination of the lubricant. INPRO VBXX-D has long been considered the industry standard in bearing lubricant protection. The *i-FRAME* now improves upon that design by offering stainless steel rotors, for maximum protection against contaminants and the corrosive effects of seal leakage or environmental conditions.

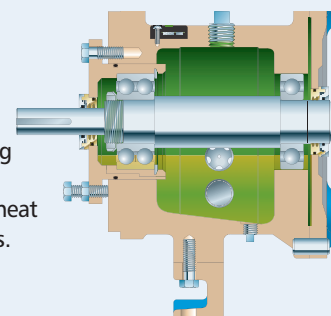


These seals are non-contacting and do not wear.



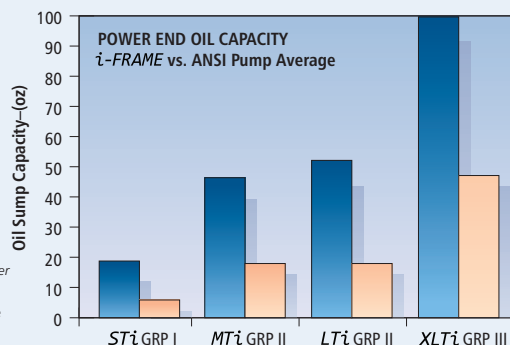
### 3 Optimized Oil Sump Design

Internal sump geometry is optimized for longer bearing life. Sump size increased by 10%-20% results in better heat transfer and cooler bearings. Contoured design directs contaminants away from bearings, to the magnetic drain plug for safe removal.



Larger Means Cooler

- GOULDS
- Industry Average



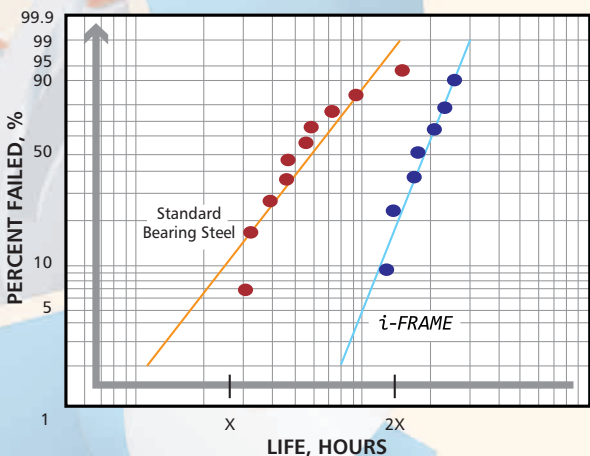


## 4 Shaft and Bearings Engineered for Maximum Reliability

Every 3196 *i*-FRAME Power End is engineered and manufactured for optimal pump performance and increased MTBF.

ANSI B73.1 Shaft Specification	Meets	Exceeds
Diameter Tolerance		✓
Surface Finish		✓
Runout	✓	
Deflection		✓

Fatigue life **more than double** that of conventional bearing steels.



The rugged shaft and bearing combination maintains shaft deflection of less than 0.002 inches at all operating points. The result is longer seal and bearing life.

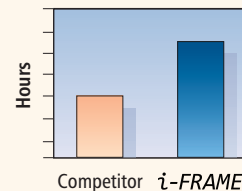
Premium severe-duty thrust bearings increase bearing fatigue life by 2-5X.

- High purity steels have fewer inclusions than standard steel — better grain structure and wear resistance.
- Heat treatment of bearing elements increases hardness for increased fatigue life.

Forty-degree contact angle on the *MTi* thrust bearing for higher thrust load capability.

- 35% higher dynamic load rating vs. major competitor.
- Increases L'10 bearing life 2X.

BEARING LIFE CALCULATION

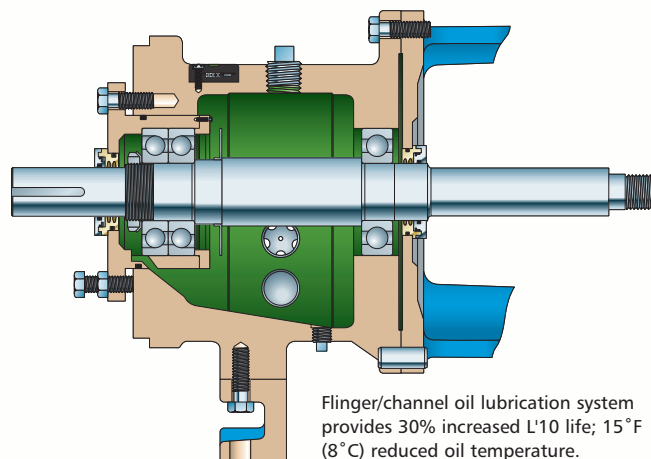


## 5 *LTi* Power End for High Load Applications

Increased L'10 Bearing Life 150% to 200% on the Toughest Applications

Ideal for tough conditions when a power end is pushed beyond ANSI limits: operating at low flows and higher heads, pumping high specific gravity liquids, fluctuating process conditions, overhung belt drive.

Oversized shaft and bearing assembly significantly expands the limits for long, trouble-free bearing and seal life. On high load applications, the *LTi* power end improves bearing life 150%–200%; oil operating temperature reduced by 45°F (25°C).



Flinger/channel oil lubrication system provides 30% increased L'10 life; 15°F (8°C) reduced oil temperature.



Duplex thrust bearings (40°/40° angular contact) with machined brass cages, are ideally sized for high load applications.



Oversized shaft with duplex thrust bearings provide increased L'10 by 40%.

## Our Guarantee

We are so confident that the *i*-FRAME is the most reliable Power End in the industry, that we are proud to offer a standard 5-year warranty on every *i*-FRAME ANSI Process Pump.





# 3196 *i*-FRAME™ Process Pumps Featuring *i*-ALERT™ Patented Monitoring

## *i*-ALERT CONDITION MONITOR (Patent Pending)

Constantly measures vibration and temperature at the thrust bearing. Colored LED's indicate general pump health. Provides early warning of improper operation before catastrophic failure occurs.

## INPRO VBXX-D HYBRID LABYRINTH SEALS

Prevents premature bearing failure caused by lubricant contamination or loss of oil. Stainless steel rotors for optimal performance in corrosive environments.

## CONTINUOUS PERFORMANCE

Original flow, pressure and efficiency are maintained by simple external adjustment resulting in long-term energy and repair parts savings.

## PREMIUM SEVERE-DUTY THRUST BEARINGS

Increase bearing fatigue life by 2-5X that of conventional bearing steels.

## HEAVY DUTY SHAFT AND BEARINGS

Rigid shaft designed for minimum deflection at seal faces — less than 0.002 in. (.05 mm). Bearings sized for 10-year average life under tough operating conditions. Available with or without shaft sleeve.

## OPTIMIZED OIL SUMP DESIGN

Increased oil capacity provides better heat transfer for reduced oil temperature. Bearings run cooler and last longer. Contaminants directed away from bearings to magnetic drain plug.

## ONE – INCH BULL'S EYE SIGHT GLASS

Assures proper oil level critical to bearing life. Can be mounted on either side of pump for installation flexibility.

## *i*-FRAME POWER END

Designed for reliability and extended pump life, backed with a 5-year warranty.

## MAGNETIC DRAIN PLUG

Standard magnetic drain plug helps protect bearings and prolong life.

## DUCTILE IRON FRAME ADAPTER

Material strength equal to carbon steel for safety and reliability.

## CASING

- Bonus casing thickness: Class 150 pumps feature Class 300 wall thickness as standard; increased reliability and maximized casing life.
- Top centerline discharge for air handling, self venting.
- Back pull-out design for ease of maintenance.
  - Integral casing feet prevent pipe load misalignment — maximized seal and bearing life.
- Serrated flanges standard for positive sealing against leakage. Meets ANSI B16.5 requirements. Class 150 FF flanges standard, optional Class 150 RF, 300 FF/RF.

## FULLY OPEN IMPELLER

Acknowledged best design for CPI services — solids handling, stringy material, corrosives, abrasives. Two times the wear area of closed-type impellers for longer life. Back pump-out vanes reduce radial thrust loads and seal chamber pressure.

## SEALING FLEXIBILITY

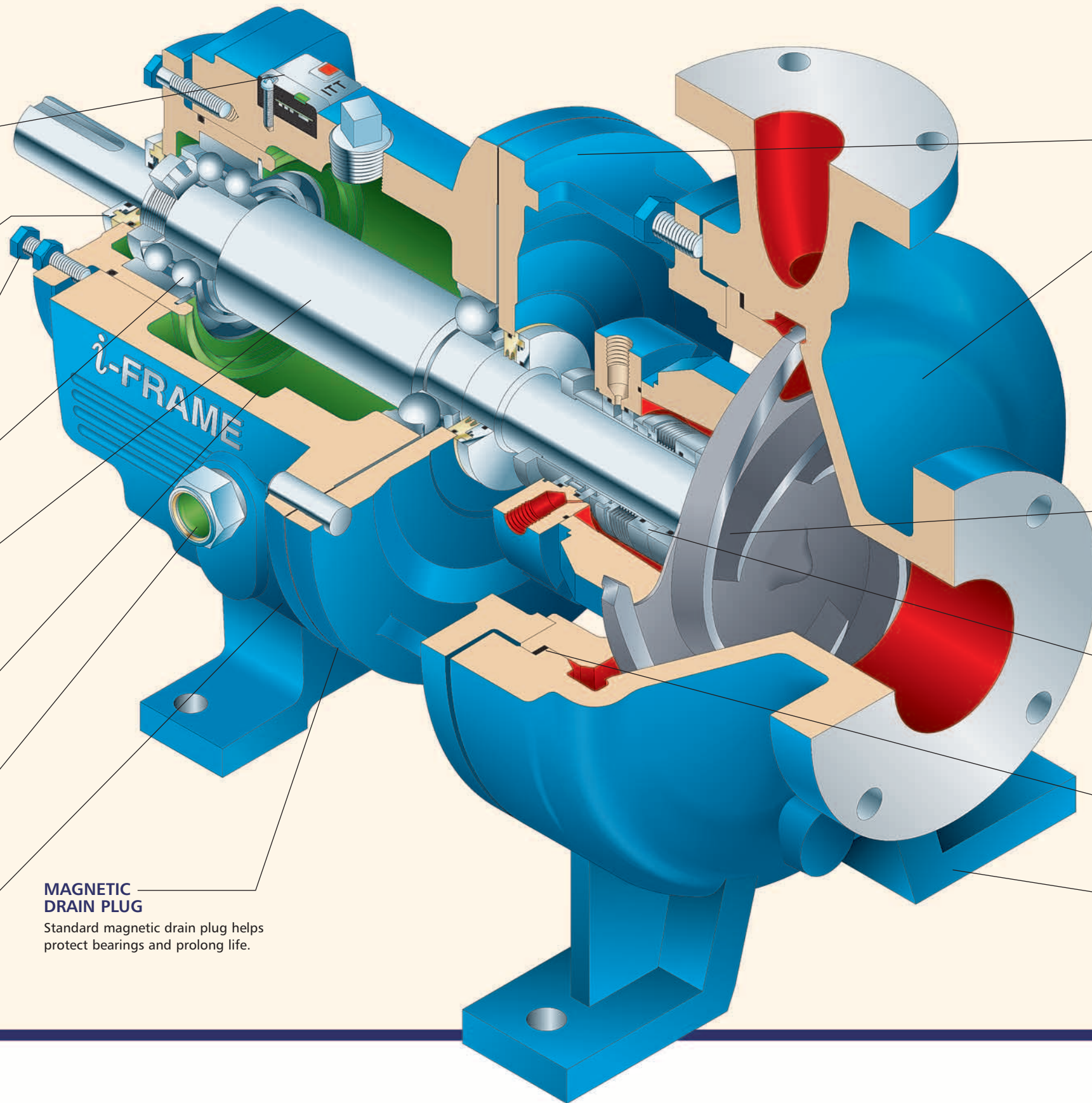
Wide range of sealing arrangements available to meet service conditions. Engineered seal chambers improve lubrication and heat removal (cooling) of seal faces for extended seal life and pump uptime.

## POSITIVE SEALING

Fully confined gasket at casing joint protects alignment fit from liquid, makes disassembly easier.

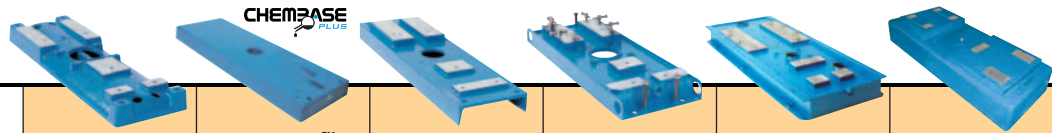
## RIGID FRAME (AND CASING) FEET

Reduce effects of pipe loads on shaft alignment; pump vibration reduced.



# Baseplate Mounting Systems

Goulds offers a complete range of pump mounting systems to meet plant requirements; make installation and maintenance easier.



Baseplate Selection Guide	CAMBER TOP CAST IRON Preferred standard of process industries. Rigid and corrosion resistant, it is the best value in the industry today.	CHEMBASE PLUS™ Polymer concrete construction provides exceptional rigidity & corrosion resistance. ANSI 1991 dimensional.	FABRICATED STEEL An economical choice that meets ANSI/ASME B73.1 dimensional requirements.	ENHANCED FEATURE FABRICATED STEEL Upgraded ANSI baseplate designed to maximize pump operation life and ease installation. Meets API-minded chemical pump users' toughest requirements.	ADVANTAGE Heavy duty PIP compliant fabricated steel baseplate.	POLYSHIELD ANSI COMBO Heavy duty polymer concrete combination baseplate and foundation.
<b>PLANT REQUIREMENTS</b>						
Corrosion Resistance (mild/moderate)						
Corrosion Resistance (severe)						
Machined Pump & Motor Parts						
Circular Grout Holes (4 in. min.)						
Vent Holes (1 in. min.)						
Vent Holes (1/2 in. min.)						
Non-Overhang						
Full Drain Rim						
Built-in Drain Pan (under pump)						
Drain Pan Under Pump						
Baseplate Leveling Screws						
Motor Alignment Adjusters						
Lifting Feature						
Continuous Welding Used						
Flexibly Mounted						
Spring Loaded*						
Available in 304 and 316 SS						
ANSI B73.1-1991 Conformance						
API-610 Conformance						
PIP RESP 002 Conformance						

STANDARD
  OPTIONAL
 \*Engineered option—requires special baseplate

## Bonus Interchangeability

### *i-FRAME*™ Power Ends Fit 7 Different Process Pumps

Minimize inventory, reduce downtime.



**3196**  
Process Pumps



**CV 3196**  
Non-Clog  
Process Pumps



**HT 3196**  
High Temperature  
Process Pumps



**LF 3196**  
Low Flow ANSI  
Process Pumps



**3198**  
PFA TEFLON®-Lined  
Process Pumps



**3796**  
Self-Priming  
Process Pumps

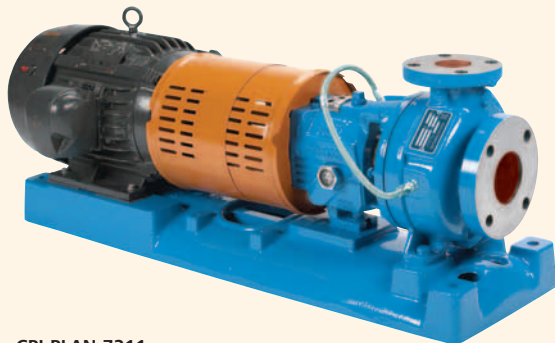


**3996**  
In-Line Process  
Pumps

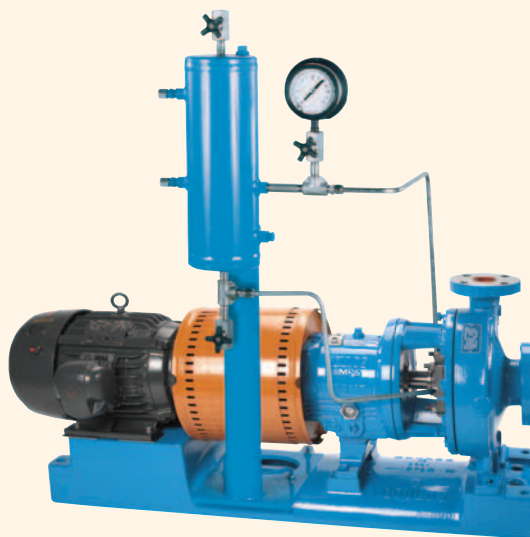
## Options *Goulds offers users a variety of options to meet specific plant and process requirements.*

### Seal Flush Plans

All ANSI B73.1 seal flush and cooling plans are available to control emission levels and meet seal installation requirements. Goulds can also provide other special arrangements of user preference.



**CPI PLAN 7311**  
By-pass flush lubricates single seal faces.



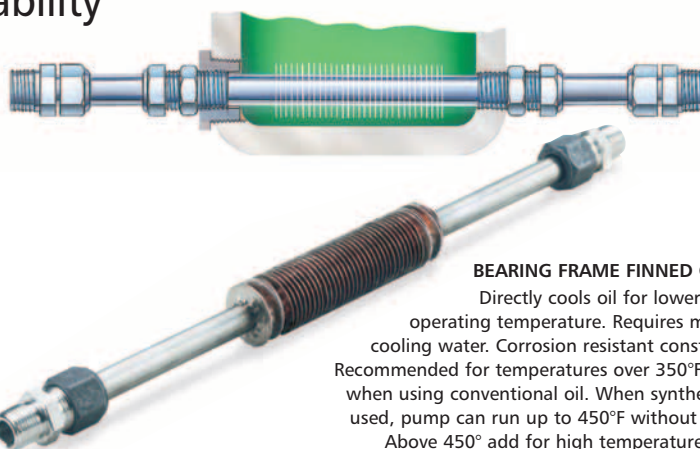
**CPI PLAN 7353**  
Pressurized circulation lubricates double seal faces.

### High and Low Temperature Capability

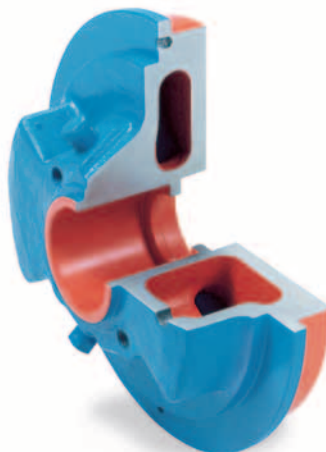
Options are readily available for high and low temperature applications or where pumpage temperature must be controlled.



**HEAT JACKET**  
Economical clamp-on jacket provides practical method of heating or cooling the casing. Excellent heat transfer characteristics. Easy to install or remove for pump servicing.



**BEARING FRAME FINNED COOLER**  
Directly cools oil for lower bearing operating temperature. Requires minimum cooling water. Corrosion resistant construction. Recommended for temperatures over 350°F (177°C) when using conventional oil. When synthetic oil is used, pump can run up to 450°F without cooling. Above 450° add for high temperature option.



**JACKETED SEAL CHAMBER**  
Maintains proper temperature control of sealing environment. Ideal for maintaining temperature for services such as molten sulphur and polymerizing liquids. Available in BigBore™ and patented TaperBore™ designs.

### High Temperature Features

*For operation to 700°F (371°C)*

- Jacketed Stuffing Box/ Seal Chamber
- Finned Cooler
- 316 Stainless Steel Shaft
- Graphite Impeller O-ring
- Graphite Casing Gasket

# Parts List and Materials of Construction

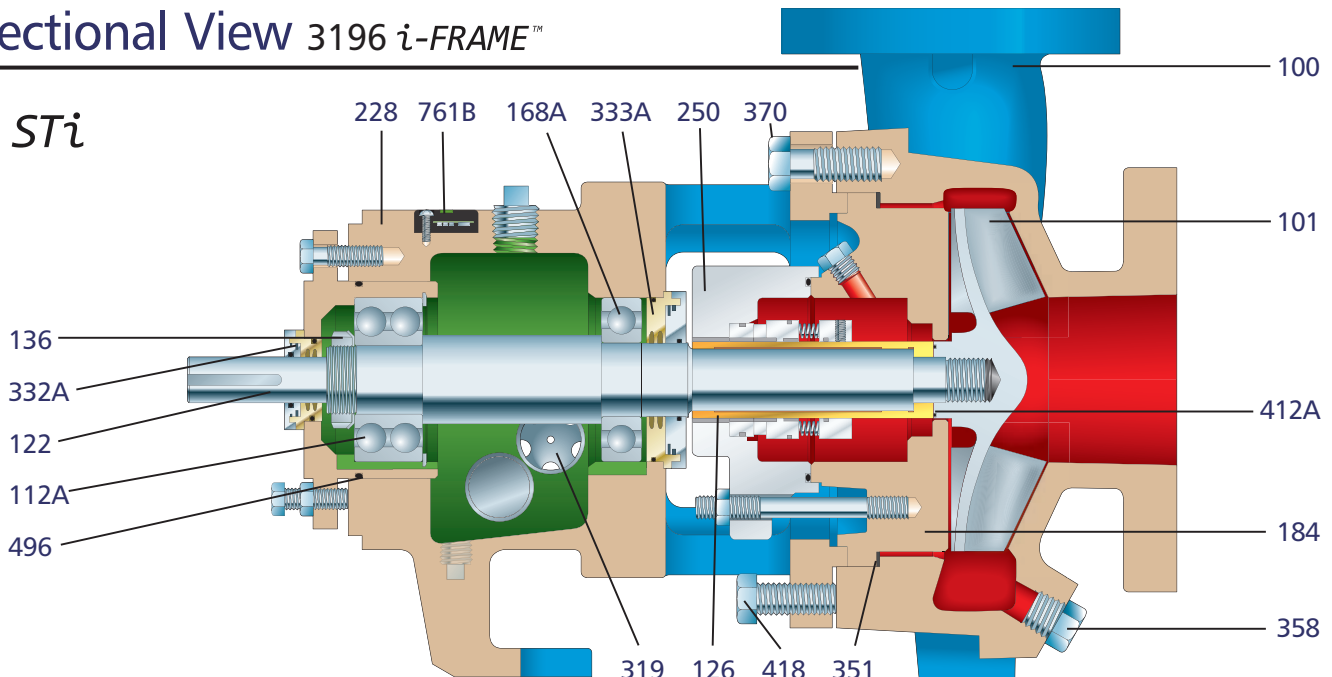
Item Number	Part Name	Material							
		Ductile Iron	316SS	CD4MCu	Alloy 20	Monel	Nickel	Hastelloy B & C	Titanium
100	Casing	Ductile Iron	316SS	CD4MCu	Alloy 20	Monel	Nickel	Hastelloy	Titanium
101	Impeller	Ductile Iron	316SS	CD4MCu	Alloy 20	Monel	Nickel	Hastelloy	Titanium
105	Lantern Ring	Glass-Filled TEFLON*							
106	Stuffing Box Packing	TEFLON* Impregnated Fibers							
108	Frame Adapter	Ductile Iron							
112A	Thrust Bearing	Double Row Angular Contact**							
122	Shaft—Less Sleeve (Optional)	316SS			Alloy 20	Monel	Nickel	Hastelloy	Titanium
122	Shaft—With Sleeve	SAE4140			316SS				
126	Shaft Sleeve	316SS		Alloy 20		Monel	Nickel	Hastelloy	Titanium
136	Bearing Locknut and Lockwasher	Steel							
168A	Radial Bearing	Single Row Deep Groove							
184	Stuffing Box Cover (Packed Box)	Ductile Iron	316SS	CD4MCu	Alloy 20	Monel	Nickel	Hastelloy	Titanium
184	Seal Chamber (Mechanical Seal)	Ductile Iron	316SS	CD4MCu	Alloy 20	Monel	Nickel	Hastelloy	Titanium
228	Bearing Frame	Cast Iron (Ductile Iron for <i>STi</i> Group)							
250	Gland	316SS		Alloy 20		Monel	Nickel	Hastelloy	Titanium
262	Repeller/Sleeve (Dynamic Seal Option)	CD4MCu			Alloy 20	Monel	Nickel	Hastelloy	Titanium
264	Gasket, Cover-to-Backplate (Dynamic Seal)	TEFLON*							
370H	Stud/Nut, Cover-to-Adapter	304SS							
319	Oil Sight Glass	Glass/Steel							
332A	INPRO® VB-XX-D Labyrinth Oil Seal (Outboard)	Stainless Steel/Bronze							
333A	INPRO® VB-XX-D Labyrinth Oil Seal (Inboard)	Stainless Steel/Bronze							
351	Casing Gasket	Aramid Fiber with EPDM Rubber							
358	Casing Drain Plug (Optional)	Steel	316SS	Alloy 20		Monel	Nickel	Hastelloy	Titanium
360F	Gasket, Frame-to-Adapter	Buna							
360C	Gasket, Bearing End Cover	Cellulose Fiber with Binder							
370	Cap Screw, Adapter-to-Casing	Steel							
412A	O-ring, Impeller	Glass-Filled TEFLON*							
418	Jacking Bolt	304SS							
444	Backplate (Dynamic Seal Option)	Ductile Iron	316SS	CD4MCu	Alloy 20	Monel	Nickel	Hastelloy	Titanium
469B	Dowel Pin, Frame-to-Adapter	Steel							
496	O-ring, Bearing Housing	Buna Rubber							
761B	<i>i-ALERT</i> Condition Monitor	Stainless Steel/Epoxy							

\*E.I. DuPont reg. trademark

\*\**LTi* Power End features standard Duplex Angular Contact: Optional *STi*, *MTi*, *XLTi*

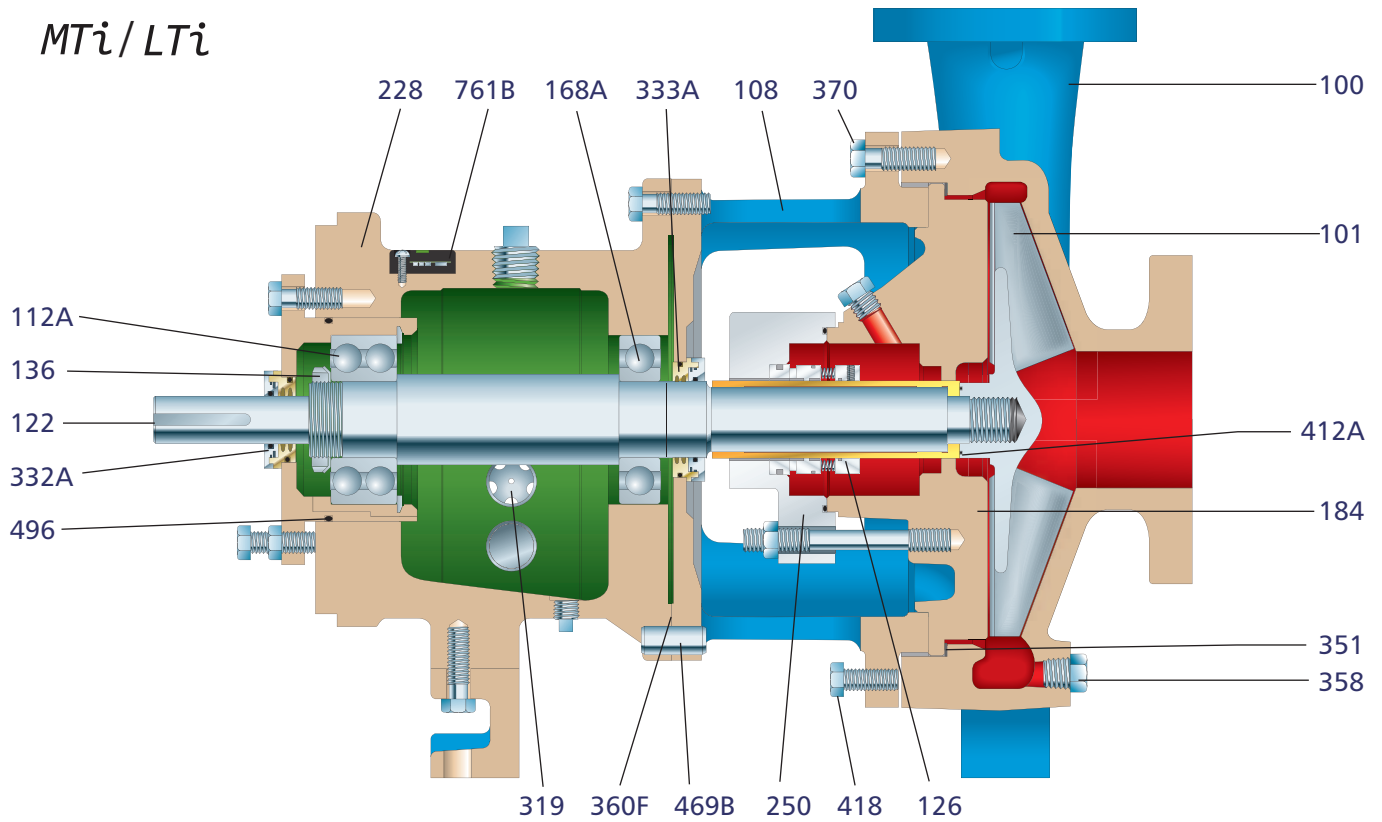
Other Alloys Available: 316L, 317, 317L, 254SMO, Zirconium, etc.

## Sectional View 3196 *i-FRAME*™

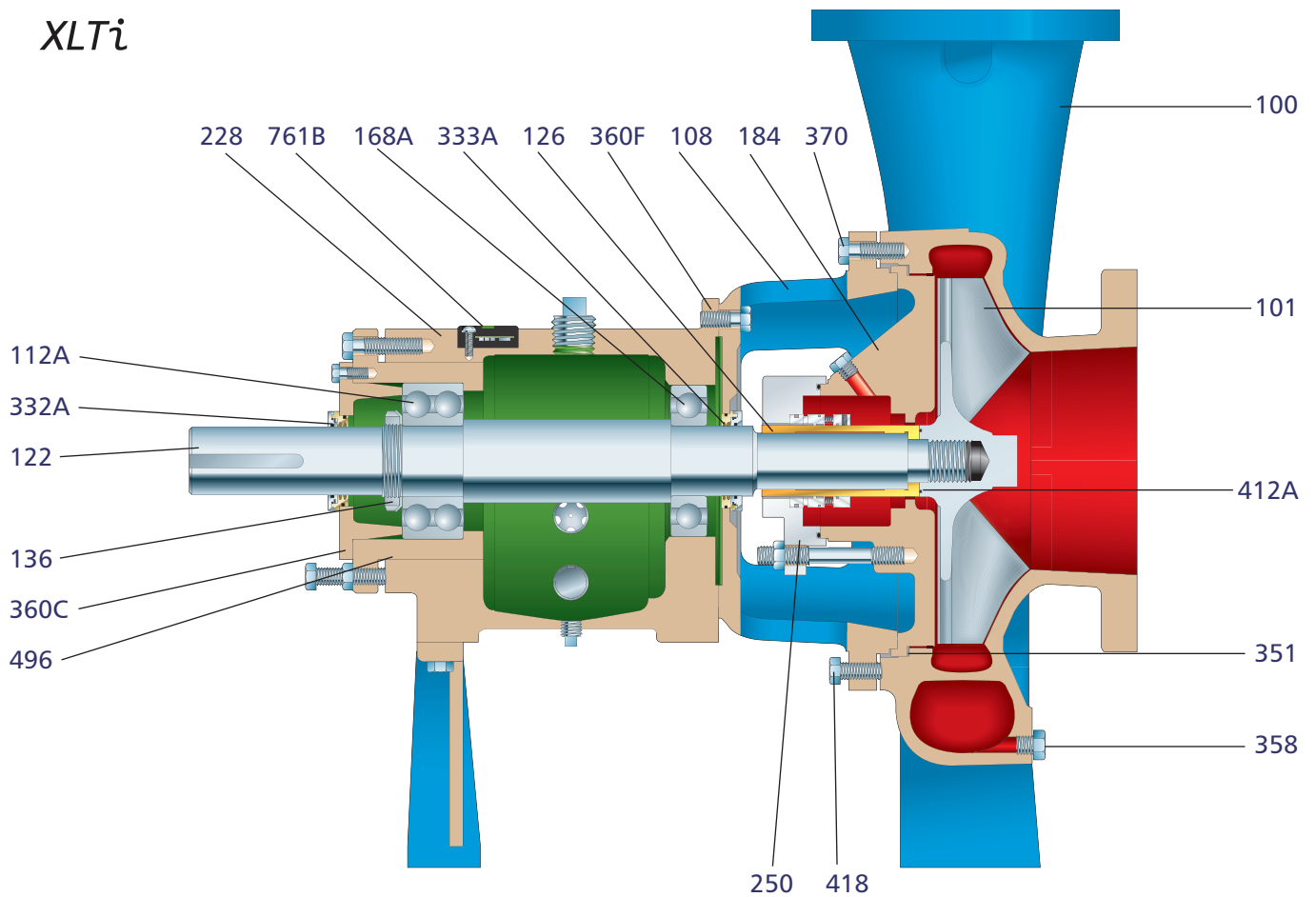


# Sectional View 3196 *i*-FRAME™

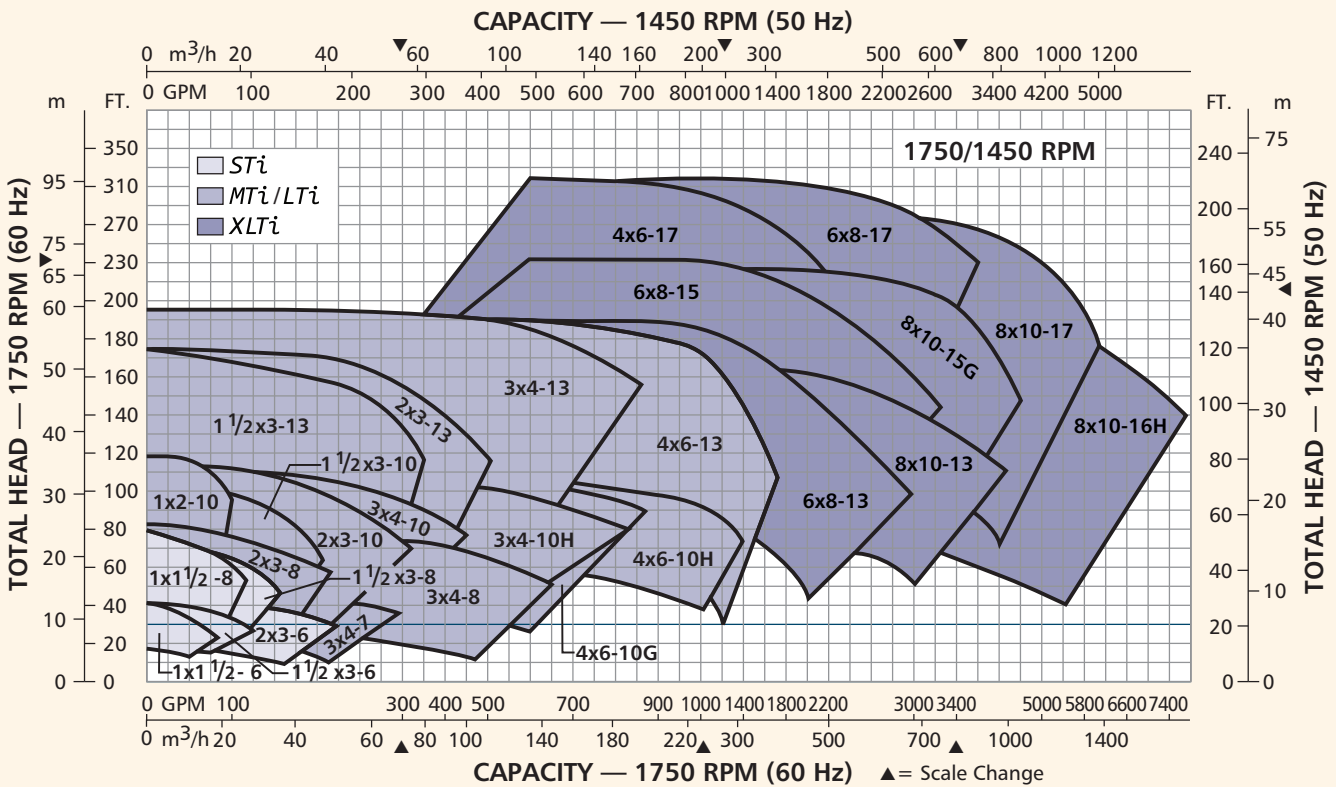
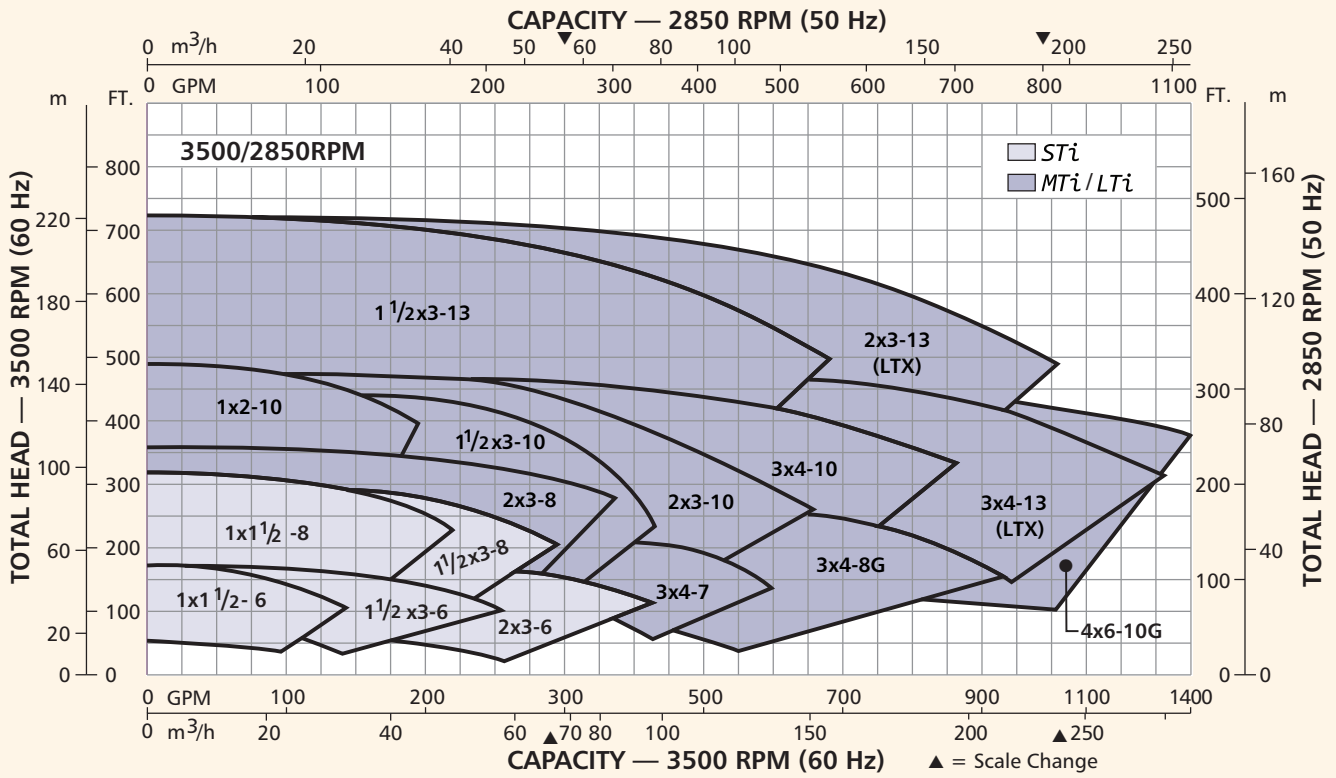
*MTi/LTi*



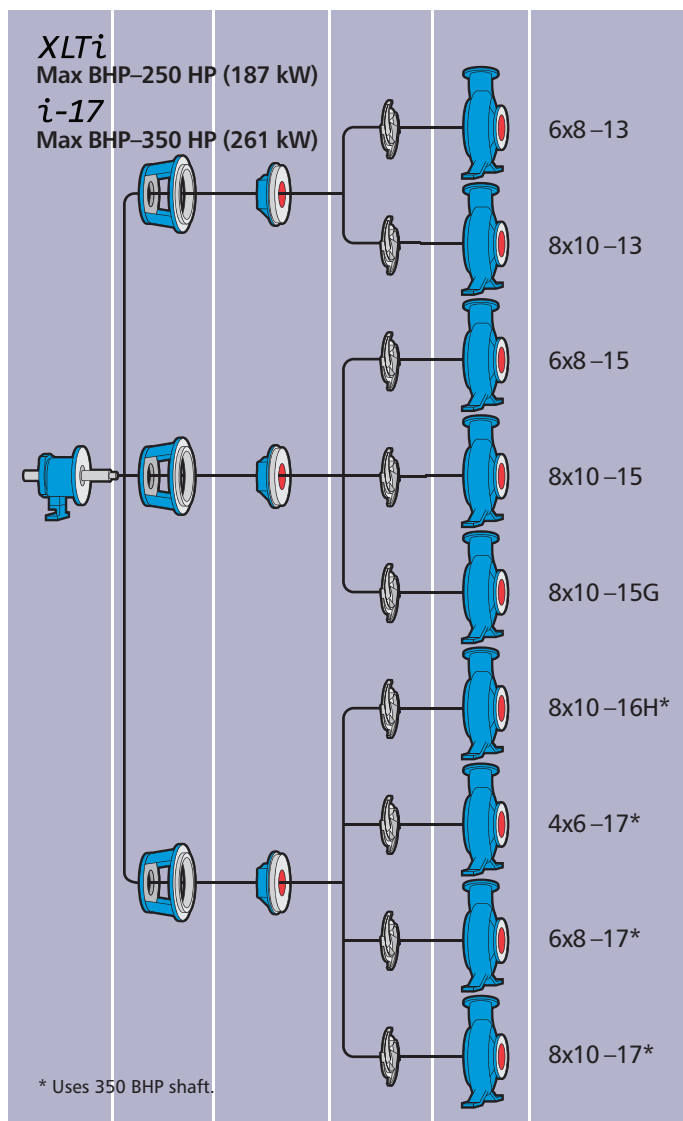
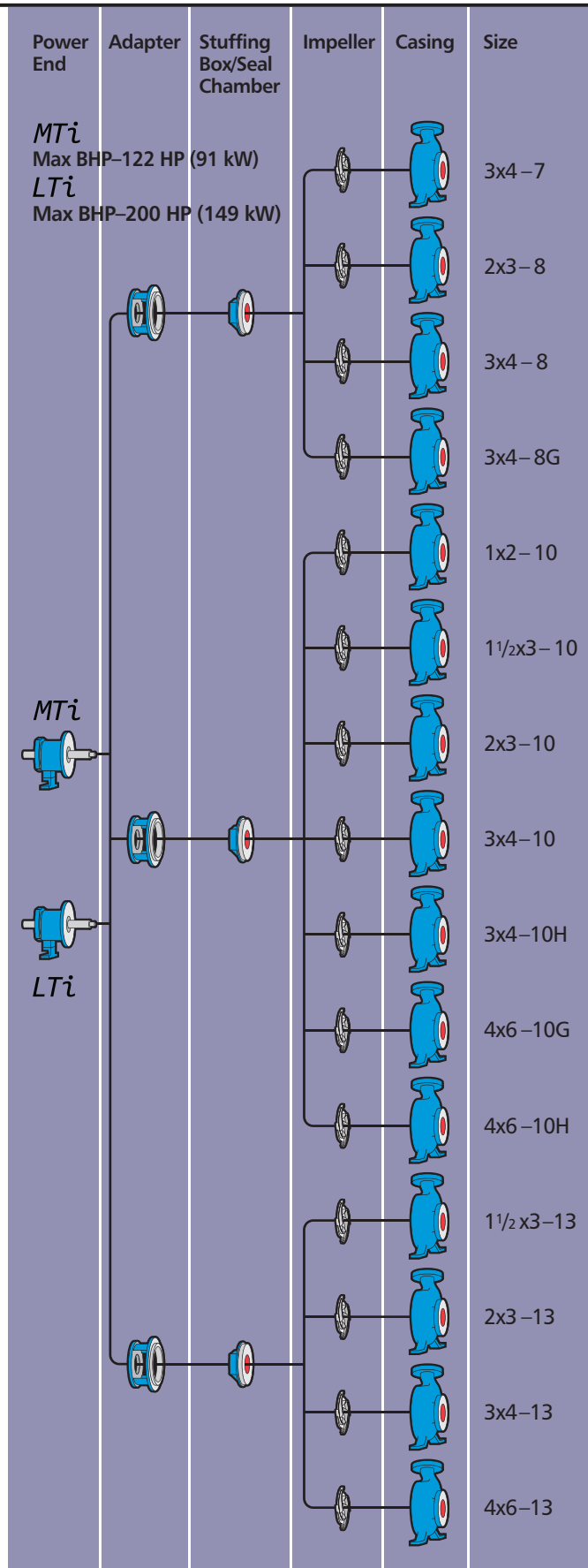
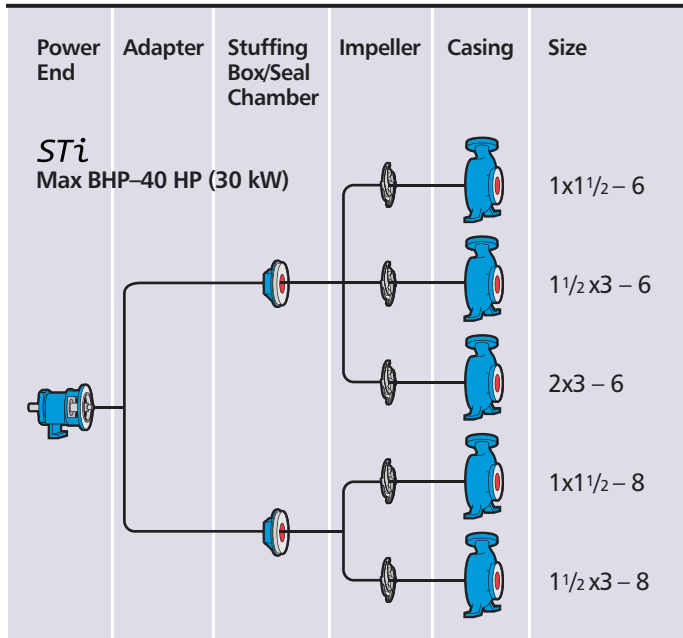
*XLTi*



# Hydraulic Coverage Model 3196



# Modular Interchangeability

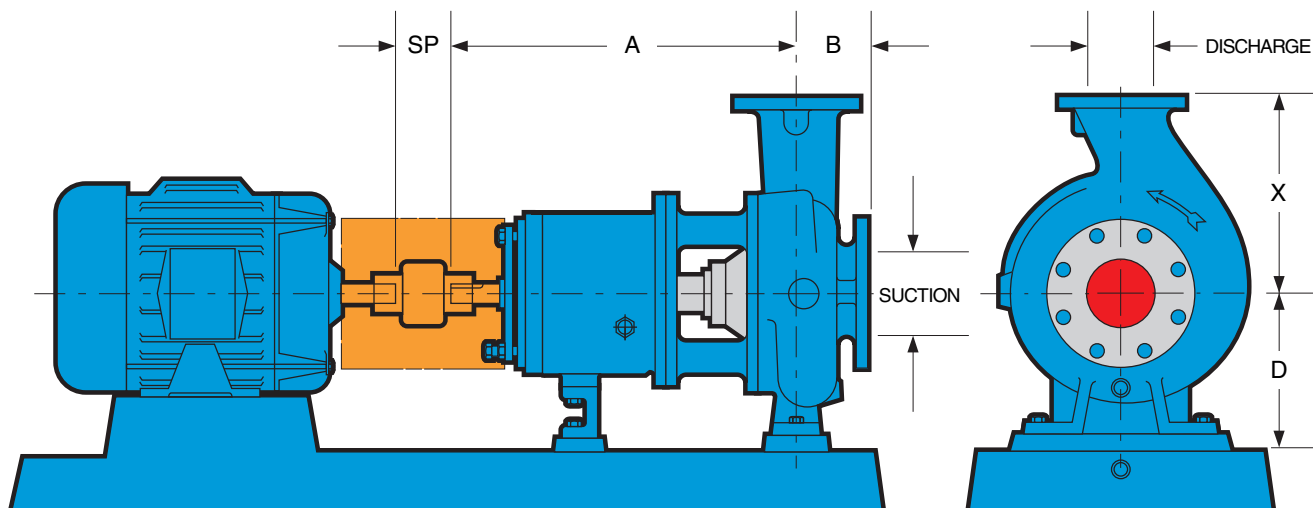


\* Uses 350 BHP shaft.



## Dimensions Model 3196 *i-FRAME*™

All dimensions in inches and (mm). Not to be used for construction.



DIMENSIONS													
Group	Pump Size	ANSI Designation	Discharge Size	Suction Size	X	A	B	D	SP	Bare Pump Weight Lbs. (kg)			
<i>STi</i>	1x1½-6	AA	1	1½	6.5 (165)	13.5 (343)	4 (102)	5.25 (133)	3.75 (95)	84 (38)			
	1½x3-6	AB	1½	3						92 (42)			
	2x3-6		2	3						95 (43)			
	1x1½-8	AA	1	1½						100 (45)			
	1½x3-8	AB	1½	3						108 (49)			
<i>MTi / LTi</i>	3x4-7	A70	3	4	11 (280)	19.5 (495)	4 (102)	8.25 (210)	3.75 (95)	220 (100)			
	2x3-8	A60	2	3	9.5 (242)					220 (91)			
	3x4-8	A70	3	4	11 (280)					220 (100)			
	3x4-8G	A70	3	4	11 (280)					220 (100)			
	1x2-10	A05	1	2	8.5 (216)					200 (91)			
	1½x3-10	A50	1½	3	9.5 (242)					220 (100)			
	2x3-10	A60	2	3	9.5 (242)					230 (104)			
	3x4-10	A70	3	4	11 (280)					265 (120)			
	3x4-10H	A40	3	4	12.5 (318)					275 (125)			
	4x6-10G	A80	4	6	13.5 (343)					305 (138)			
	4x6-10H	A80	4	6	13.5 (343)					305 (138)			
	1½x3-13	A20	1½	3	10.5 (267)					19.5 (495)	4 (102)	10 (254)	245 (111)
	2x3-13	A30	2	3	11.5 (292)					275 (125)			
	3x4-13	A40	3	4	12.5 (318)					330 (150)			
4x6-13	A80	4	6	13.5 (343)	405 (184)								
<i>XLTi</i>	6x8-13	A90	6	8	16 (406)	27.875 (708)	6 (152)	14.5 (368)	5.25 (133)	560 (254)			
	8x10-13	A100	8	10	18 (457)					670 (304)			
	6x8-15	A110	6	8	18 (457)					610 (277)			
	8x10-15	A120	8	10	19 (483)					740 (336)			
	8x10-15G	A120	8	10	19 (483)					710 (322)			
	8x10-16H		8	10	19 (483)					850 (385)			
	4x6-17		4	6	16 (406)					650 (295)			
	6x8-17		6	8	18 (457)					730 (331)			
8x10-17		8	10	19 (483)	830 (376)								

# Construction Details All dimensions in inches and (mm).

		<i>STi</i>	<i>MTi</i>	<i>LTi</i>	<i>XLTi</i>
Shaft	Diameter at Impeller	.75 (19)	1 (25)	1.25 (32)	1.5 (38)
	Diameter in Stuffing Box/Seal Chamber (Less Sleeve)	1.375 (35)	1.75 (45)	2.125 (54)	2.5 (64)
	(With Sleeve)	1.125 (29)	1.5 (38)	1.875 (48)	2 (51)*
	Diameter Between Bearings	1.5 (38)	2.125 (54)	2.5 (64)	3.125 (79)
	Diameter at Coupling	.875 (22)	1.125 (29)	1.875 (48)	2.375 (60)
	Overhang	6.125 (156)	8.375 (213)	8.375 (213)	9.969 (253)
	Maximum Shaft Deflection	0.002 (0.05)			
Shaft Deflection Index (L <sup>3</sup> /D <sup>4</sup> ) (With Sleeve)		143	116	48	62
	(Less Sleeve)	64	63	29	25
Sleeve	O.D. thru Stuffing Box/Seal Chamber	1.375 (35)	1.75 (45)	2.125 (54)	2.5 (64)*
Bearings	Radial	6207	6309	6311	6313
	Thrust	3306	3309	7310	3316
	Bearing Span	4.125 (105)	6.75 (171)	6.875 (164)	9.25 (235)
BigBore™ Seal Chamber	Bore	2.875 (73)	3.5 (89)	3.875 (98)	4.75 (120)*
Stuffing Box	Bore	2 (51)	2.5 (64)	2.875 (73)	3.375 (86)*
Power Limits	HP (kW) per 100 RPM	1.1 (.82)	3.4 (2.6)	5.6 (4.2)	14 (10.5)**
Temperature	Maximum Liquid Temperature— Oil/Grease Lubrication without Cooling	350° F (177° C)			
	Maximum Liquid Temperature— Oil Lubrication with High Temp. Option	700°F (370° C)			
Casing	Corrosion Allowance	.125 (3)			

\* 17 inch sizes have 2¼ inch (57) shaft diameters in stuffing box/seal chamber with sleeve. Shaft sleeve O.D. is 2¼ inches (70) for packing and 2½ inches (64) for mechanical seals. Seal chamber bore is 4¼ inches (121). Stuffing box bore is 3¾ inches (92).  
 \*\* 17 inch sizes power limit per 100 RPM is 20HP (15kW).

## Process Industry Practices (PIP) Compliance

The standard design features of Goulds 3196 (ANSI B73.1M) and 3996 (ANSI B73.2M) pumps meet ASME/ANSI standards. In addition, both models can be manufactured to comply with PIP Specifications for application of horizontal and vertical in-line ANSI process pumps.

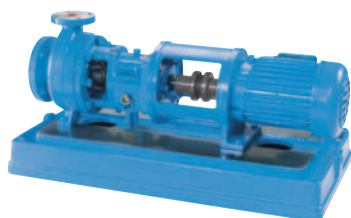


Model 3196 meets B73.1M and RESP73H

Model 3996 meets B73.2M and RESP73V



## Other Features For Safety Reliability



**C-FACE ADAPTER**  
*i*-FRAME power ends accommodate optional C-face motor adapter — simplifies pump/motor alignment.



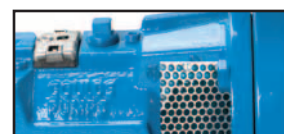
**3196CC (Close Coupled)**  
 Certain sizes of the 3196 are available in a close coupled configuration which saves space, requires less maintenance and needs no alignment.



**CENTERLINE-MOUNTED CASING**  
 For high temperature services (500° to 700° F/260° to 370°C).



**ANSI COUPLING GUARD**  
 Meets all requirements of ANSI B15.1 specifications.



**SHAFT GUARD**  
 When a guard around all rotating shaft parts is required.



# PRO Services® Extending Equipment Life...

## Product Repair (all types and brands of rotating equipment)

- Service Center Repair
- Field Service
- Parts Supply

## Reliability Improvement

- Inventory Management
- Replacement/Exchange
- Turnkey Repair/Installation
- Training

## Optimization of Assets

- Predictive Analysis/Condition Monitoring
- Root Cause Failure Analysis
- Pump & System Assessments
- Upgrades – Mechanical & Hydraulic
- Maintenance Management/Contract Maintenance

- 
- Technical Expertise
  - Fast Turnaround
  - Factory Trained Service Personnel
  - Emergency Service – 24 hours/day, 7 days/week
  - Quality
  - ISO and Safety Certified

# PROSMART

ProSmart® provides continuous machinery monitoring to identify little problems before they become big problems...like downtime.

Using wireless technology, advanced signal processing capabilities, and easy-to-deploy sensors, ProSmart offers an affordable means to monitor all of your rotating equipment anywhere in the world. By identifying and alerting you to changes in operating conditions, ProSmart increases your time to respond to either correcting the upset condition, or properly plan its repair.



### Key Features include:

- Continuous data acquisition and analysis – ProSmart collects vibration, temperature, and available process conditions every five seconds; saving you time from routine data collection.
- Automatic Notification and Accessibility – By alerting when a machine goes into distress, you are able to focus your resources on recovery activities. The ProNet web-hosted solution allows access to information anywhere in the world through a standard Internet browser connection.
- Advanced diagnostic tools – More than simple overall data, ProSmart provides advanced analysis capabilities such as time-waveform, spectral, and spectral windowing.
- Easy to deploy – Using plug and play sensors, wireless connectivity, and an industrially hardened enclosure, ProSmart can be easily deployed throughout your plant, including hazardous areas.

# PUMPSMART

PumpSmart® is the latest advancement in pump control and protection to reduce energy consumption, increase uptime and decrease maintenance cost. It allows the pump to be right-sized to the application by dialing in the speed and torque which increases flow economy, reduces heat and vibration, and improves overall system reliability.

- **Simplified Pump Control** — PumpSmart was designed specifically to optimize pumping applications and can be used to control a single pump or coordinate between multiple pumps without the need for an external controller.
- **Pump Protection** — PumpSmart guarantees to protect the pump from upset conditions with patented sensorless pump protection algorithms.
- **Smart Flow** — PumpSmart features a sensorless flow function for centrifugal pumps that can calculate the flow of the pump within ± 5% of the pump rated flow.
- **Drive for the DCS** — While most VFDs can only provide basic information, PumpSmart offers unparalleled insight to the pump operation which allows for smoother process control and efficiency.
- **Pump Experts** — PumpSmart is a variable speed drive with pump-specific algorithms imbedded into the drive. With over 150 years of pump knowledge, let the pump experts take responsibility of your pump system.



Visit our Web site at [www.gouldspumps.com](http://www.gouldspumps.com)

