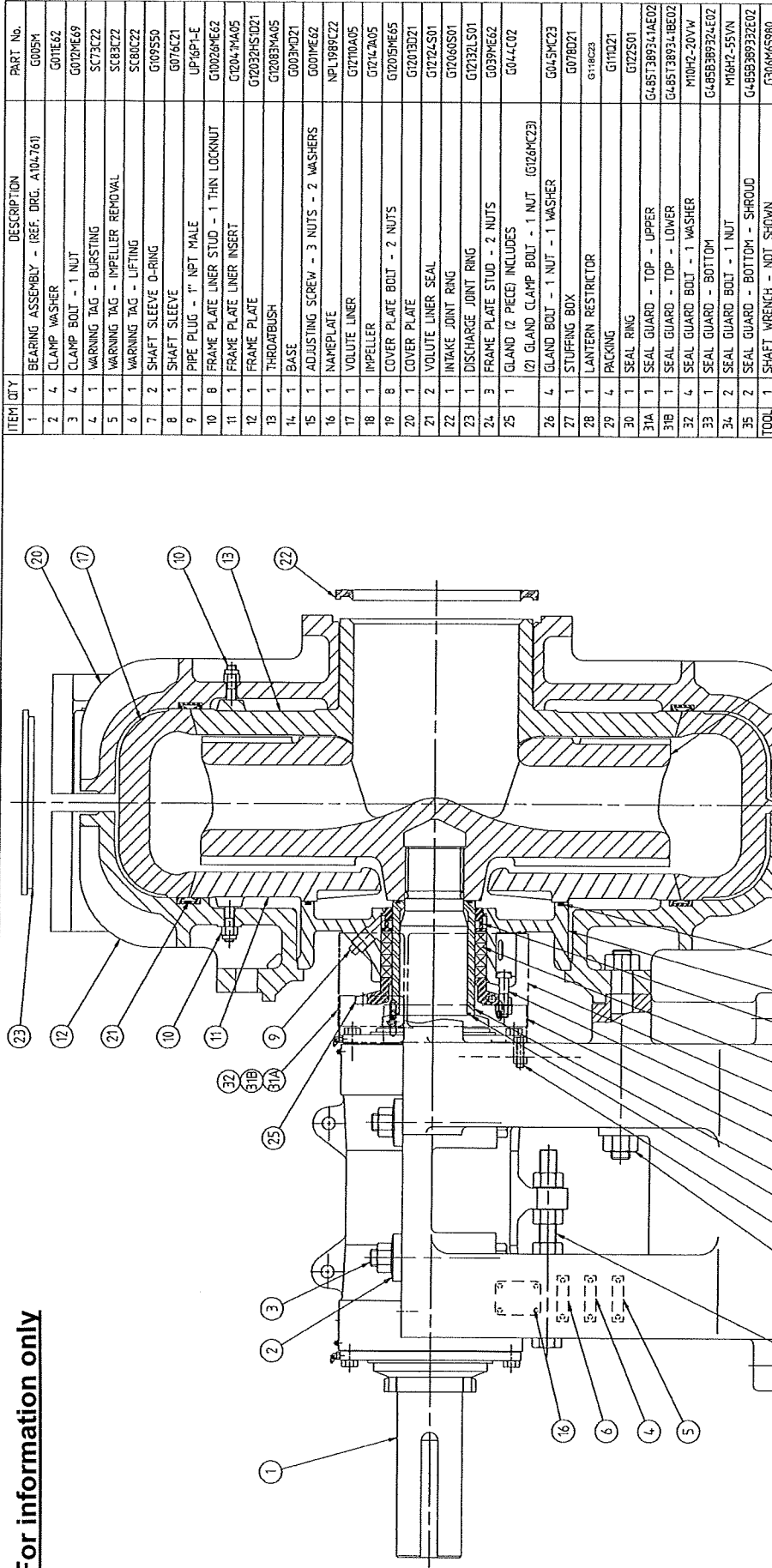


**For information only**



**K2 SURFACE  
HEAVY MEDIA AREA  
ESTERHAZY K2 EXPANSION  
ROUGHER CYCLONE FEED PUMP  
EQ#: 20410  
PARTS LIST AND PART NUMBERS**

ITEM	QTY	DESCRIPTION	PART No.
1	1	BEARING ASSEMBLY - (REF. DRG. A104761)	G005M
2	4	CLAMP WASHER	G0TE62
3	4	CLAMP BOLT - 1 NUT	G012ME69
4	1	WARNING TAG - BURSTING	SC73C22
5	1	WARNING TAG - IMPELLER REMOVAL	SC83C22
6	1	WARNING TAG - LIFTING	SC80C22
7	2	SHAFT SLEEVE O-RING	G109550
8	1	SHAFT SLEEVE	G074621
9	1	PIPE PLUG - 1" NPT MALE	UP16PT-E
10	8	FRAME PLATE LINER STUD - 1 THIN LOCKNUT	G1026ME62
11	1	FRAME PLATE LINER INSERT	G12047MA05
12	1	FRAME PLATE	G1203ZHS1D21
13	1	THROAT BUSH	G12083KA05
14	1	BASE	G003MD21
15	1	ADJUSTING SCREW - 3 NUTS - 2 WASHERS	G001ME62
16	1	NAMEPLATE	NPL1989CZ2
17	1	VOLUTE LINER	G1210A05
18	1	IMPELLER	G1247A05
19	8	COVER PLATE BOLT - 2 NUTS	G1205ME65
20	1	COVER PLATE	G1201BD21
21	2	VOLUTE LINER SEAL	G1212LS01
22	1	INTAKE JOINT RING	G12060S01
23	1	DISCHARGE JOINT RING	G12132LS01
24	3	FRAME PLATE STUD - 2 NUTS	G039ME62
25	1	GLAND (2 PIECE) INCLUDES (2) GLAND CLAMP BOLT - 1 NUT (G126MC23)	G044C02
26	4	GLAND BOLT - 1 NUT - 1 WASHER	G045MC23
27	1	STUFFING BOX	G078021
28	1	LANTERN RESTRICTOR	G118C23
29	4	PACKING	G110D21
30	1	SEAL RING	G122501
31A	1	SEAL GUARD - TOP - UPPER	G485T389341AE02
31B	1	SEAL GUARD - TOP - LOWER	G485T389341BE02
32	4	SEAL GUARD BOLT - 1 WASHER	M1042-20VW
33	1	SEAL GUARD - BOTTOM	G485B389324E02
34	2	SEAL GUARD BOLT - 1 NUT	M1642-55VN
35	2	SEAL GUARD - BOTTOM - SHROUD	G485B389323E02
TODL	1	SHAFT WRENCH - NOT SHOWN	G306465980

PRODUCT	WARMAN PUMP
APP. MW	CHECK ARW
DRN. A. BROWN	DATE APR.22.2010
SCALE	

NO.	DESCRIPTION	BY	DATE	CHK

Copyright © Weir Slurry Group Inc. 2010  
Weir Slurry Group Inc. ("the Company")  
is the owner of the copyright and all  
confidential information in this drawing.  
The drawing must not be copied in whole  
or in part, in any form or by any means,  
electronic or mechanical, including  
photocopying, recording, or used for any  
purpose other than the specific purpose  
for which it has been provided, without  
the prior written consent of the Company.

TITLE  
14/12 GAH PUMP, METAL LINED  
COMPONENTS DIAGRAM  
142GAHCCCPM, 142GAHCCCPMG, 142GAHCCCPMSTM  
DRAWING No.  
**WEIR MINERALS NORTH AMERICA**  
DESIGN CENTRE OF ORIGIN  
MADISON  
REV. 0  
A2-110-0-389618